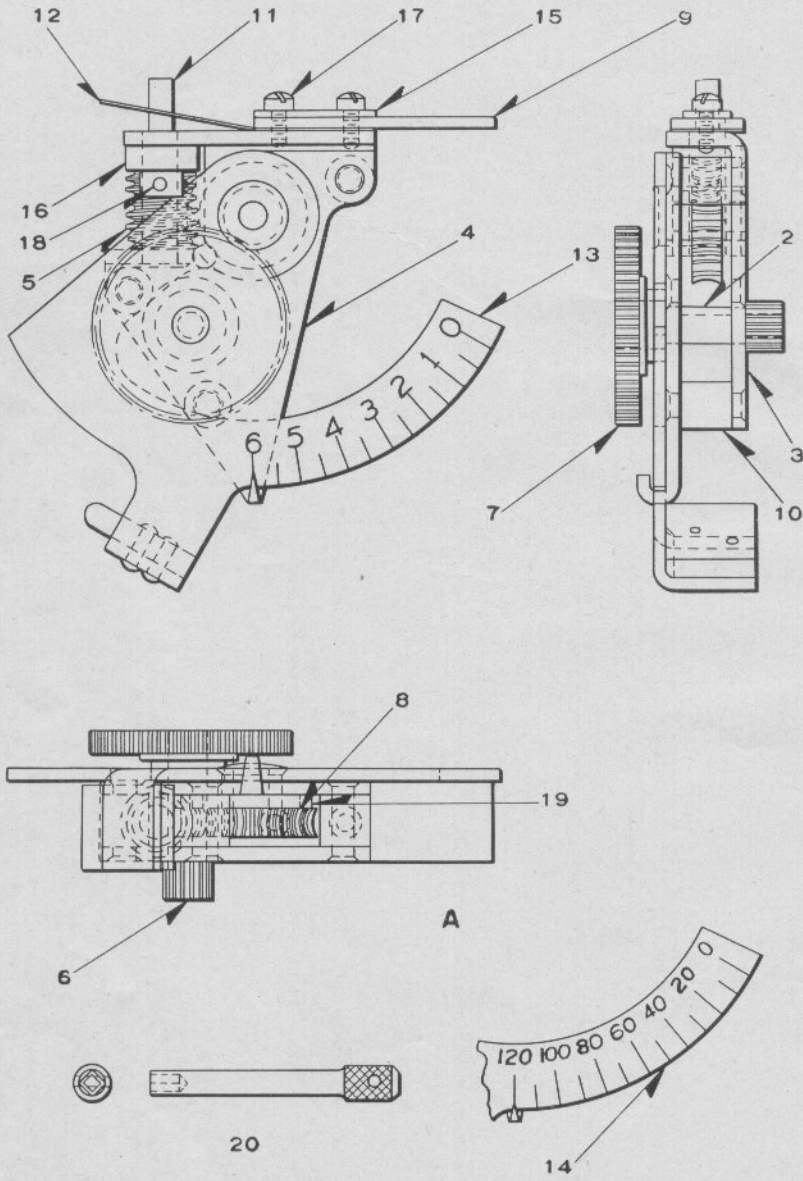


UNION SWITCH & SIGNAL CO.



PLANETARY GEAR TRAIN ASSEMBLY

UNION SWITCH & SIGNAL CO.

DETAILS "DT-10" D. C. TIME ELEMENT RELAY DETAIL PARTS
PLANETARY GEAR TRAIN ASSEMBLY

Order by Plate, Piece, Reference and Abbreviated Description Given in
Heavy Face Type Only

Piece	Ref.	Description	Drawing Reference
160354	A	Planetary Gear Train with Segment for 0.5 to 6 Minute Operation (For Style "DT-10" D.C. Time Element Relay).....	C-9278-4
162007	Aa	Planetary Gear Train with Segment for 10 to 120 Second Operation (For Style "DT-10" D.C. Time Element Relay).....	C-9278-4
160339	2	Shaft.....	12501-45
160340	3	Plate.....	12538-50
160342	4	Plate.....	12538-48
160343	5	Worm Gear.....	8424-254
160344	6	Pinion (For Ref. A).....	8424-255
162003	6a	Pinion (For Ref. Aa).....	8424-262
160345	7	Spur Gear.....	8424-256
160346	8	Worm Gear.....	8424-257
160348	9	Insulation Strip.....	8750-2366
160349	10	Spacer.....	8114-431
160350	11	Shaft.....	12501-44
160351	12	Spring.....	8735-686
160352	13	Segment for Ref. A (Graduated for 0.5 to 6 Minute Operation).....	12538-49
	14	Segment for Ref. Aa (Graduated for 10 to 120 Second Operation).....	12538-49

Zachary C. Gillihan 2008

PLATE E-5210

UNION SWITCH & SIGNAL CO.

DETAILS "DT-10" D. C. TIME ELEMENT RELAY DETAIL PARTS
PLANETARY GEAR TRAIN ASSEMBLY
(Continued)

Order by Plate, Piece, Reference and Abbreviated Description Given in
Heavy Face Type Only

Piece	Ref.	Description	Drawing Reference
152720	15	Plate.....	7828-275
160355	16	Washer.....	8112-66
	17	Machine Screw No. 3-56x $\frac{1}{16}$ " Fil. Hd. Br.	
73147	18	Pin.....	8097-872
2992	19	Washer.....	8112-77
160336	20	Adjustment Wrench.....	8802-92