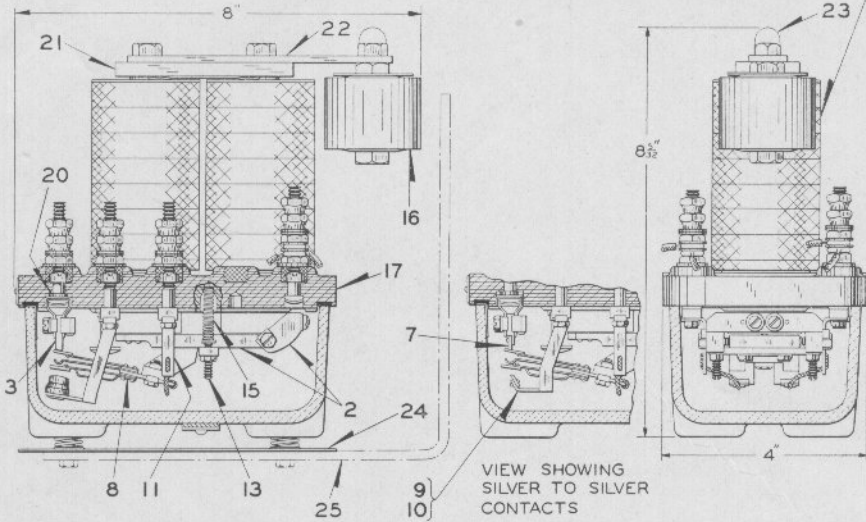
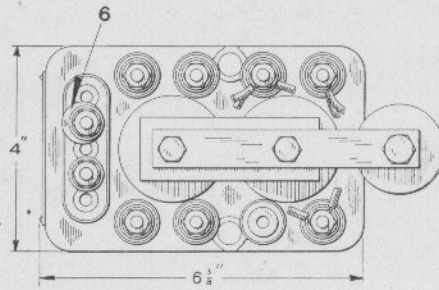
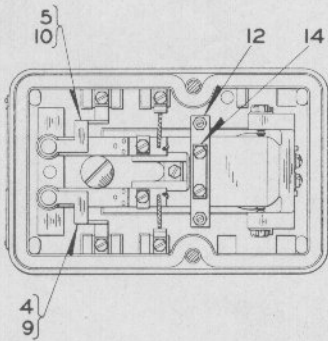


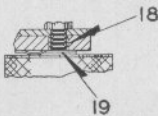
FOR COIL WINDINGS REFER TO PLATE E-5025 (REF 8a)



IN ABOVE VIEWS FRONT CONTACTS ARE SHOWN CLOSED AS WHEN RELAY IS ENERGIZED.



FOR ALL OTHER DETAILS REFER TO PLATE E-4978



Style "DN-22P" Power Transfer Relay

Detail Parts

Style "DN-22P" Power Transfer Relay

Detail Parts

For complete Relays refer to Plate E-4941. For details not shown on this Plate refer to Plate E-4978. For Coil Windings refer to Ref. 8a, Plate E-5025.

Order by Plate, Piece, Reference and Abbreviated Description Given in Heavy Face Type Only

Piece	Ref.	Description	Drawing Reference
196448	2	Armature and Bracket (Inc. 1-2a, of this Plate and 1-19, 2-20 and 2-21 of Plate E-4978).....	C-9433-2
196447	2a	Armature Only, for Ref. 2.....	8157-431
	2b	Armature and Bracket (Inc. 1-2 of this Plate and 2-23 of Plate E-4978).....	C-9433-
196406	3	Contact Tip (Silver Imp. Carbon).....	8341-242
196404	4	Back Post, L.H. with Silver Imp. Carbon Tip.....	8094-981
196405	5	Back Post, R.H. with Silver Imp. Carbon Tip.....	8094-981
142777	6	Tag (Marked "S").....	8988-75
196399	7	Contact Post with Silver Tip.....	8094-1111
	8	Front and Back Contact Spring Assembly with Silver Tips and Flexible Connector.....	8385-
196397	8a	Front and Back Contact Spring Assembly with Silver Tips (Without Flexible Connector).....	8385-2463
196400	9	Back Post, L.H. with Silver Tip.....	8094-1112
196401	10	Back Post, R.H. with Silver Tip.....	8094-1112
196531	11	Connector with Flexible Connector.....	8244-151
196530	11a	Connector without Flexible Connector.....	8244-151
196407	12	Plate.....	12538-155
	13	Adjusting Screw with Nut Ref. 13b.....	12471-
196408	13a	Adjusting Screw Only, for Ref. 13.....	8098-1411
1506	13b	Hex. Nut for Ref. 13.....	8109-12
180815	14	Lock Washer.....	8486-399
135953	15	Spring.....	8124-144
197157	16	Style "RE-7" Rectifier, for 8 Volt Power Transfer Relay.....	12558-33

Zachary C. Gillihan 2008

PLATE **E-4985**

UNION SWITCH & SIGNAL CO.

Style "DN-22P" Power Transfer Relay (Continued)

Detail Parts

For complete Relays refer to Plate E-4941. For details not shown on this Plate refer to Plate E-4978. For Coil Windings refer to Ref. 8a, Plate E-5025.

Order by Plate, Piece, Reference and Abbreviated Description Given in Heavy Face Type Only

Piece	Ref.	Description	Drawing Reference
196450	16a	Style "RE-7" Rectifier, for 10 Volt Power Transfer Relay.....	12558-30
196315	16b	Style "RE-7" Rectifier, for 12 Volt Power Transfer Relay.....	12558-32
197666	17	Top Plate, without Cores.....	C-9433-1
25107	18	Bushing.....	C-7459-2
196812	19	Shim.....	7828-176
52335	20	Washer.....	7828-184
184895	21	Back Strap ($\frac{1\frac{1}{2}}{4}$ "x $1\frac{1}{4}$ "x $3\frac{1}{2}$ "") for Style "DN-22P" Relays.....	8162-253
196409	22	Mounting Strap.....	12538-154
141603	23	Nut.....	8265-258
185129	24	Shelf Type Shock Absorber for Style "DN-22P" Relays. (For details see Plate E-5030).....	12404-27
196403	25	Wall Type Shock Absorber for Style "DN-22P" Relays. (For details see Plate E-5030).....	12404-28