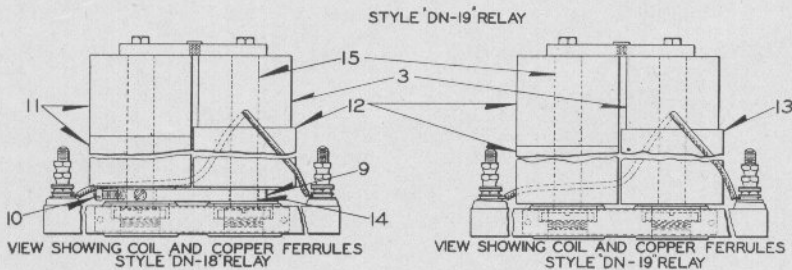
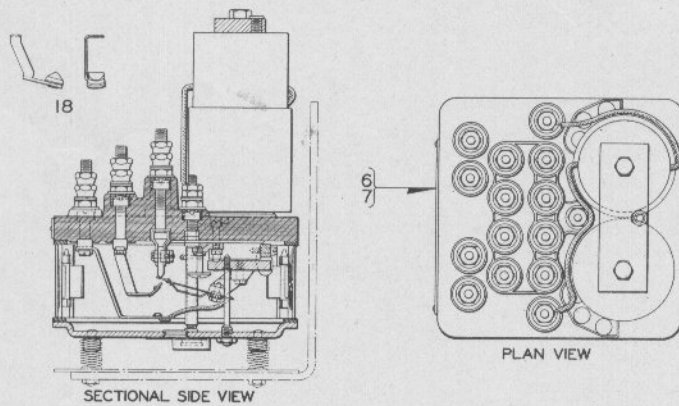
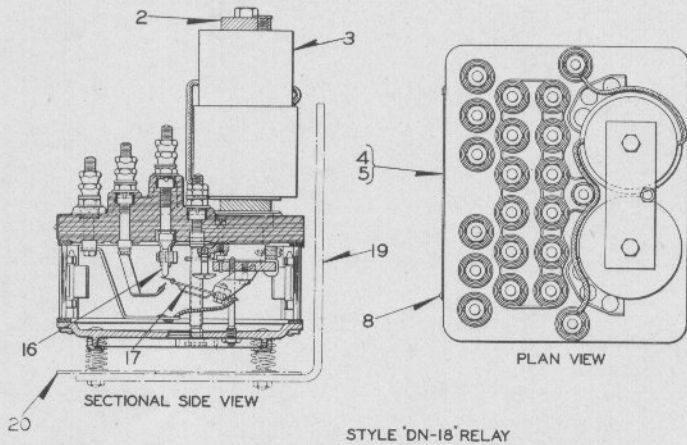


Zachary C. Gillihan 2008

PLATE E-4975

UNION SWITCH & SIGNAL CO.



DETAILS OF STYLE "DN-18" AND "DN-19" NEUTRAL RELAYS

UNION SWITCH & SIGNAL CO.

DETAILS OF STYLE "DN-18" AND "DN-19" NEUTRAL RELAYS
(FOUR AND SIX POINT)

For all other details refer to Plates E-4950 or E-4951, depending on whether part is for four or six point relay

Order by Plate, Piece, Reference and Abbreviated Description Given in Heavy Face Type Only

Piece	Ref.	Description	Drawing Reference
142640	2	Back Strap for "DN-18" and "DN-19" Relays.....	8162-221
174007	3	Magnet, 225-Ohms.....	8133-410
173786	3a	Magnet, 350-Ohms.....	8133-410
174156	3b	Magnet, 500-Ohms.....	8133-410
177479	4	Name Plate for "DN-18" Six Point Relay.....	8225-408
177480	5	Name Plate for "DN-18" Four Point Relay.....	8225-409
181489	6	Name Plate for "DN-19" Four Point Relay.....	8225-435
181488	7	Name Plate for "DN-19" Six Point Relay.....	8225-434
	8	Screw, No. 4x1/4" Rd. Hd. (N.P.) for attaching Name Plate to Top Plate.	
173788	9	Magnet Shunt for "DN-18" Relays.....	8162-243
	10	Machine Screw, No. 10-30x5/8" Fil. Hd. Br. (N.P.).	
176802	11	Copper Tubing for "DN-18" Relays.....	8350-785
176803	12	Copper Tubing for "DN-18" and "DN-19" Relays..	8350-785
179496	13	Copper Tubing for "DN-19" Relays.....	8350-785
178601	14	Bushing for "DN-18" Relays.....	11893-641
174158	15	Core.....	8101-333
158043	16	Contact Tip (Silver Imp. Carbon).....	8341-476
170726	17	Contact Spring with flexible connector.....	8385-1996
157395	18	R. H. Back Post with Silver Imp. Carbon Tip.....	8094-2234
173293	19	Wall Type Shock Absorber Spring.....	12404-28
172590	20	Shelf Type Shock Absorber Spring.....	12404-27