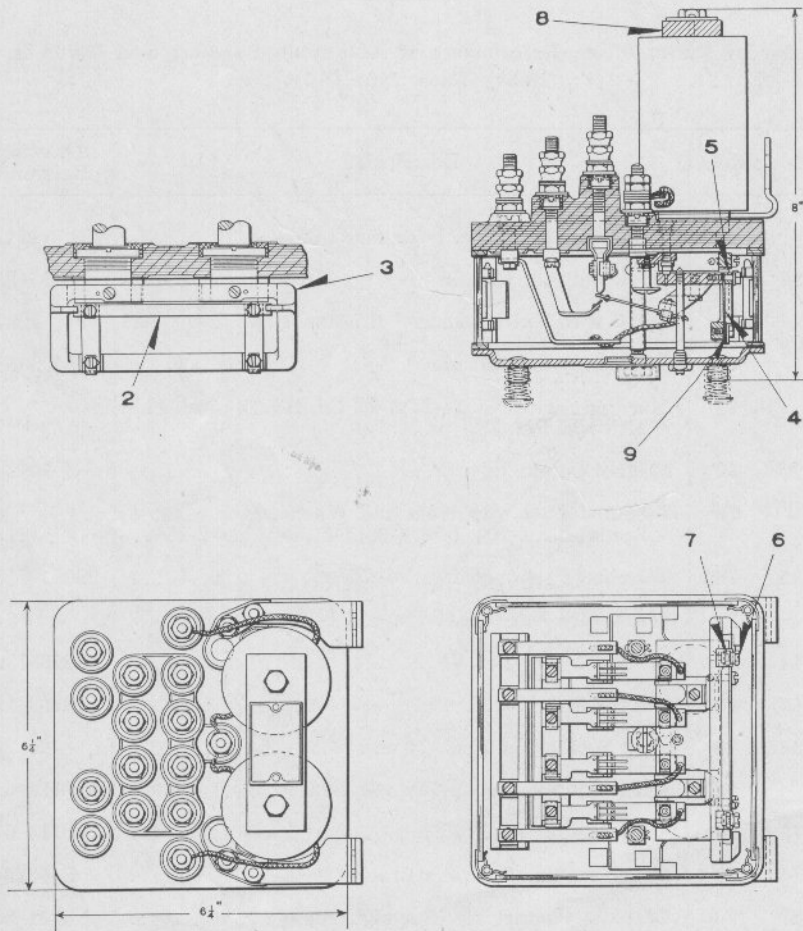


UNION SWITCH & SIGNAL COMPANY



FOR OTHER DETAILS REFER
TO PLATE E-4950

DETAILS OF "DN-12" D. C. TRUNNIONLESS NEUTRAL RELAY
(FOUR-POINT)

UNION SWITCH & SIGNAL COMPANY

DETAILS OF "DN-12" D. C. TRUNNIONLESS NEUTRAL RELAY
(FOUR-POINT)

Order by Plate, Piece, Reference and Abbreviated Description Given in
Heavy Face Type Only.

Piece	Ref.	Description	Drawing Reference
152810	2	Armature, only.....	8157-353
149977	3	Armature Bracket.....	8303-103
152710	4	Armature Supporting Spring.....	8735-667
152834	5	Locking Piece.....	12538-29
152807	6	Screw for fastening Ref. 2 to 4.....	8098-554
62997	7	Screw for fastening Ref. 4 to 3.....	8098-845
152849	8	Back Strap.....	8162-221
5511	9	Washer for Ref. 7.....	7828-2
For other Details refer to Plate E-4950.			