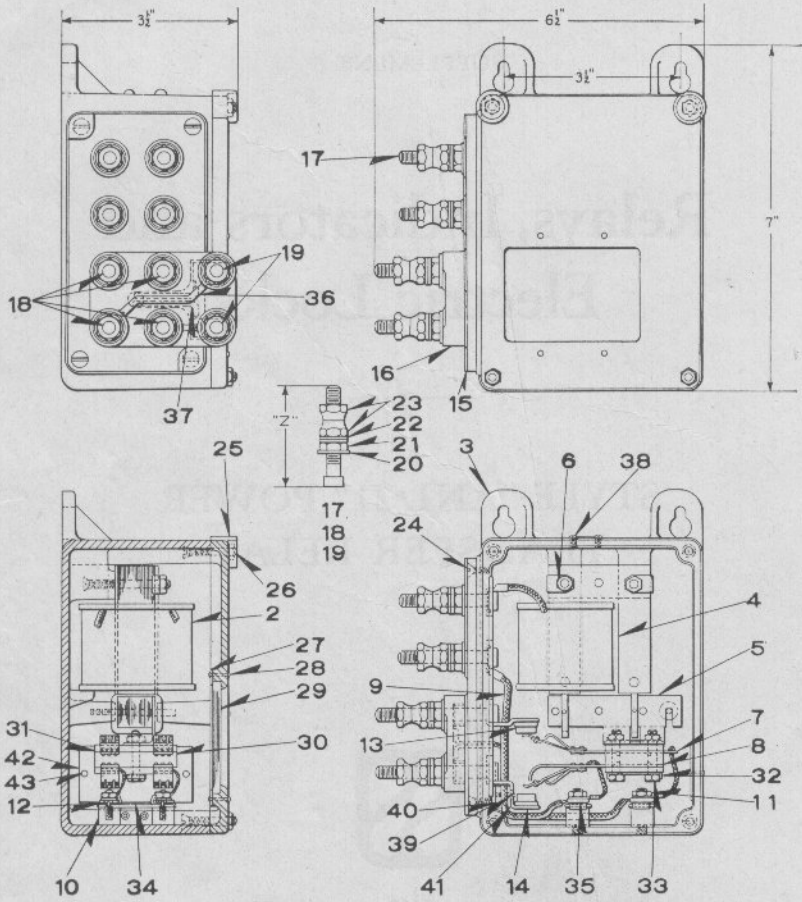


UNION SWITCH & SIGNAL CO.

Zachary C. Gillihan 2008



STYLE ANL-21 POWER TRANSFER RELAY

The ANL-21 relay is wound for any voltage up to 220 volts 100 and 60 cycles or 110 volts 25 cycles. It is recommended for use as a line relay in cases where safety is not determining factor.

The maximum contact combination of the ANL-21 is two front and two back independent contacts.

UNION SWITCH & SIGNAL CO.  
**Zachary C. Gillihan 2008**  
 STYLE ANL-21 POWER TRANSFER RELAY

Order by Plate, Piece, Reference and Description

Drawing references are shown for convenience in checking material with shipping lists and invoices.

Piece	Ref.	Description	Drawing Reference
139475	A	Style ANL-21 Power Transfer Relay, complete with 2 Front and 2 Back Ind. Contacts, 11 Volts, 100 Cycle, Spec. 1604.....	C-9130-2
139808	Aa	Style ANL-21 Power Transfer Relay, complete with 2 Front and 2 Back Ind. Contacts for 5-Volts, 25 cycles or 10-Volts, 60 cycles, Spec. 1603.....	C-9130-2
139270	2	Coil Comp. 11 Volts, 100 Cycles.....	10991-186
139806	2a	Coil Comp., for 5 Volts, 25 Cycles or 10 Volts, 60 Cycles.....	10991-186
139474	3	Case only.....	C-9129-1
137951	4	Core, complete.....	8101-313
139461	5	Armature, complete for A (with Brass Ferrules).....	8157-330
139804	5a	Armature, complete for Aa (with Hd. Dr. Copper Ferrules).....	8157-330
73494	6	Hex Nut.....	8265-126
139453	7	Front Contact Spring, complete.....	8385-2049
139455	8	Back Contact Spring, complete.....	8385-2050
139471	9	Terminal Connector.....	B-9990-11
35324	10	Ins. Bushing.....	8095-412
1515	11	Hex. Nut for 10.....	8109-23
74573	12	Lock Washer for 6.....	8486-197
139464	13	Front Posts, complete with Graphite Tip.....	8094-2166
139466	14	Back Post, complete with Graphite Tip.....	8094-2167

UNION SWITCH & SIGNAL CO.  
**Zachary C. Gillihan 2008**  
 STYLE ANL-21 POWER TRANSFER RELAY  
 (Continued)

Order by Plate, Piece, Reference and Description

Drawing references are shown for convenience in checking material with shipping lists and invoices.

Piece	Ref.	Description	Drawing Reference
412779	15	Terminal Board only.....	410167
139467	16	Terminal Board only.....	9968-760
	17	Terminal Post, complete, with Nuts and Washers ("Z" dimension $1\frac{13}{16}$ " ).....	12451-
135302	17a	Terminal Posts only.....	8094-1192
	18	Terminal Post, complete with Nuts and Washers ("Z" dimension $2\frac{1}{4}$ " ).....	12451-
113978	18a	Terminal Post only.....	8094-1192
	19	Terminal Post, complete with Nuts and Washers ("Z" dimension $1\frac{9}{16}$ " ).....	12451-
122782	19a	Terminal Post only.....	8094-1192
29104	20	Washer.....	7828-138
29103	21	Hex. Nuts only.....	8109-194
29102	22	Washer.....	7828-139
29101	23	Hex. Nut only.....	8109-193
	24	Machine Screw No. 8-36x $\frac{1}{2}$ " Flat Hd. Br. (Nickel Plated) Spec. 1217	
139805	25	Cover only.....	C-9129-1
94344	26	Hex. Nut only.....	8265-70
139807	27	Clip only.....	11893-318
54928	28	Rivet.....	10301-21
137954	29	Glass Shield.....	8163-274

UNION SWITCH & SIGNAL CO.  
**Zachary C. Gillihan 2008**  
 STYLE ANL-21 POWER TRANSFER RELAY  
 (Continued)

Order by Plate, Piece, Reference and Description

Drawing references are shown for convenience in checking material with shipping lists and invoices.

Piece	Ref.	Description	Drawing Reference
139458	30	Contact Spring Board.....	8750-2236
139457	31	Insulation.....	8750-2235
139472	32	Lock Washer.....	8486-155
139462	33	Screw.....	8098-491
139456	34	Insulation.....	8750-2234
45303	35	Eyelet.....	8064-299
139469	36	R. H. Terminal Connector, Complete.....	8064-616
139470	37	L. H. Terminal Connector, Complete.....	8064-616
	38	Mach. Screw No. 4-48x $\frac{1}{4}$ " Rd. Hd. S. (Cad. Pl. Spec. 1326)	
	39	Machine Screw No. 6-40x $\frac{3}{8}$ " Rd. Hd. Br. (N. P.)	
141606	40	Lead Support.....	8750-2252
141607	41	Lead Support.....	8750-2252
139840	42	Insulation.....	8750-1415
37417	43	Rivet.....	10301-21