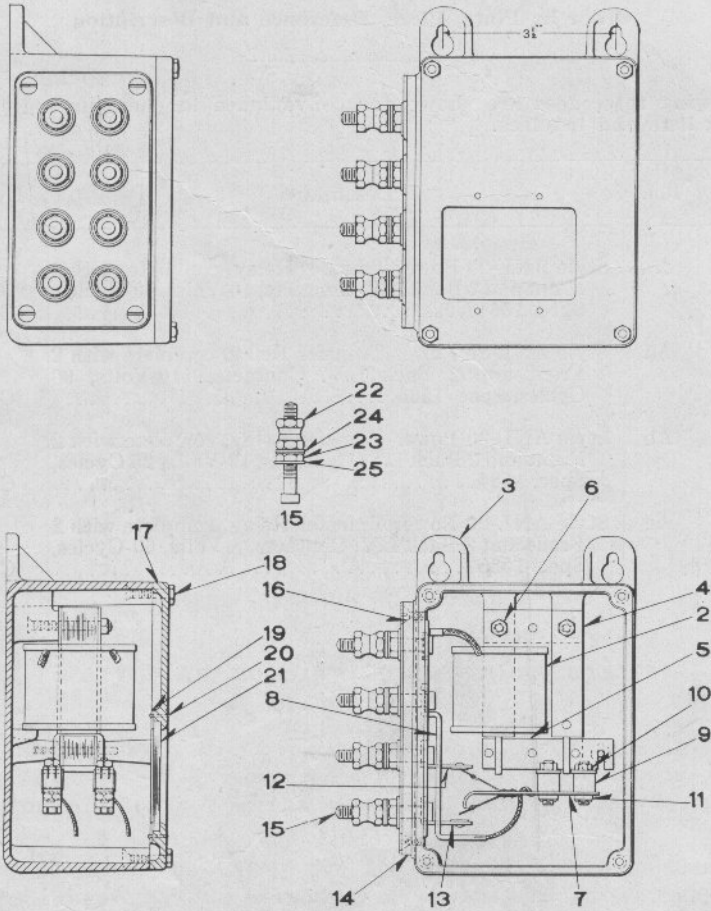


UNION SWITCH & SIGNAL CO.

Zachary C. Gillihan 2008



STYLE ANL-20 POWER TRANSFER RELAY

UNION SWITCH & SIGNAL CO.

Zachary C. Gillihan 2008STYLE ANL-20 POWER TRANSFER RELAY
DETAIL PARTS

FOR COMPLETE RELAY REFER TO PLATE E-1130

Order by Plate, Piece, Reference and Description

Drawing references are shown for convenience in checking material with shipping lists and invoices.

Piece	Ref.	Description	Dwg. Ref.
137970	2	Coil, complete, 10-Volt, 60-Cycles.....	10991-186
138337	2a	Coil, complete, 110-Volt, 60-Cycles.....	10991-186
139290	2b	Coil, complete, 12-Volt, 25-Cycles.....	10991-186
139270	2c	Coil, complete, 8-Volt, 60-Cycles.....	10991-186
137928	3	Case, only.....	C-9129-1
137951	4	Core, complete.....	8101-313
137940	5	Armature, complete.....	8157-327
73494	6	Hex. Nut.....	8265-126
137922	7	Contact Spring, complete (Front and Back).....	8385-2036
137944	8	Terminal Connector.....	8064-609
22621	9	Ins. Bushing.....	8095-199
1515	10	Hex. Nut for 9.....	8109-23
19409	11	Lock Washer for 9.....	8486-68
137942	12	Front Post, complete with Silver Tip.....	8094-2157
137943	13	Back Post, complete with Silver Tip.....	8094-2157
410167	14	Terminal Board only	
	15	Terminal Posts, complete with nuts and washers.....	12451-
135302	15a	Terminal Post, only for 15.....	8094-1192
	16	Machine Screw No. 8-36x $\frac{3}{8}$ " Flat. Hd. Br. (Nickel Plated)	
136868	17	Cover only.....	C-9129-1
94344	18	Hex. Nut only.....	8265-70

UNION SWITCH & SIGNAL CO.
Zachary C. Gillihan 2008
 STYLE ANL-20 POWER TRANSFER RELAY
 DETAIL PARTS
 (Continued)

FOR COMPLETE RELAY REFER TO PLATE E-1130

Order by Plate, Piece, Reference and Description

Drawing references are shown for convenience in checking material with shipping lists and invoices.

Piece	Ref.	Description	Dwg. Ref.
410168	19	Clip.	
54928	20	Rivet.....	10301-21
137954	21	Glass Shield.....	8163-274
29101	22	Hex. Nut for 15.....	8109-193
29103	23	Nut for 15.....	8109-194
29102	24	Washer for 15.....	7828-139
29104	25	Washer for 15.....	7828-138