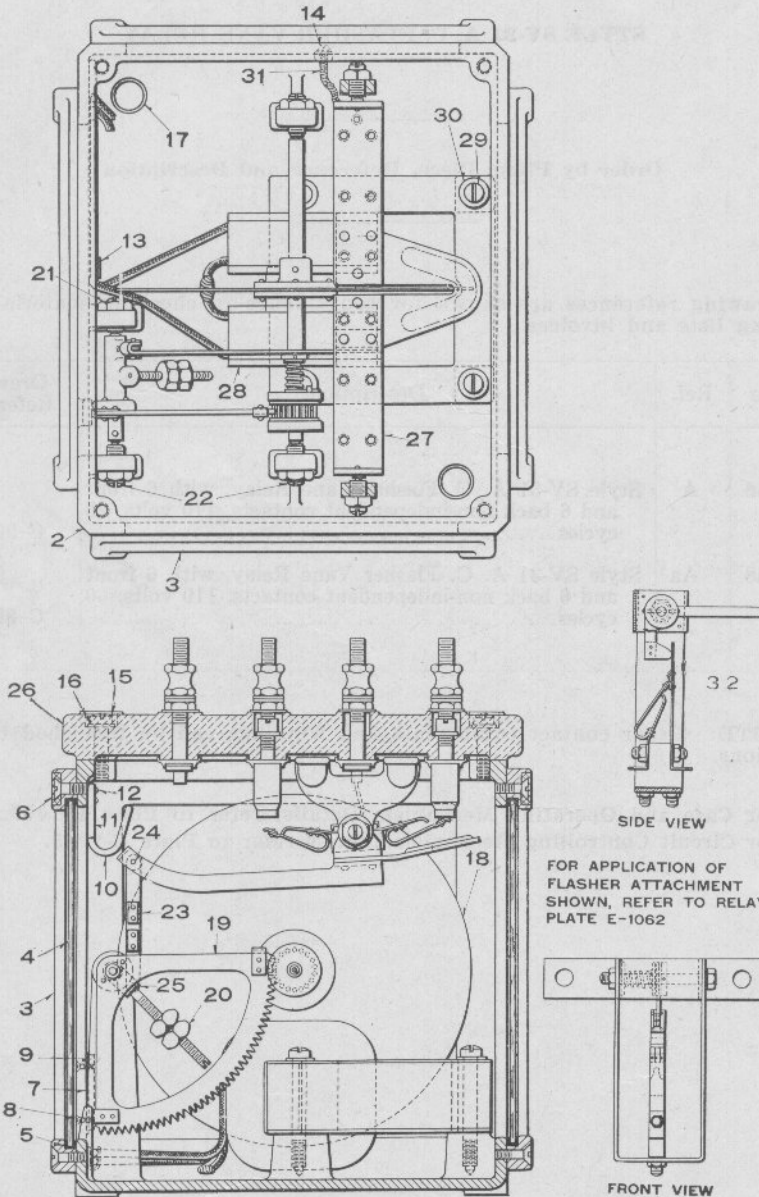


# Zachary C. Gillihan 2008

UNION SWITCH & SIGNAL CO.



FOR APPLICATION OF  
FLASHER ATTACHMENT  
SHOWN, REFER TO RELAY  
PLATE E-1062

CASE AND OPERATING MECHANISM DETAILS FOR STYLE SV-30  
SLOW RELEASE AND STYLE SV-31 FLASHER VANE RELAYS

UNION SWITCH &amp; SIGNAL CO.

**Zachary C. Gillihan 2008**

CASE AND OPERATING MECHANISM DETAILS FOR STYLE SV-30

## SLOW RELEASE AND STYLE SV-31 FLASHER VANE RELAYS

## Order by Plate, Piece, Reference and Description

Drawing references are shown for convenience in checking material with shipping lists and invoices.

Piece	Ref.	Description	Drawing Reference
116141	2	Case with two ventilators, complete.....	C-8286-1
65954	3	Front, Rear and Side Doors.....	C-8814-6
61762	4	Glass Shield for Doors.....	8163-186
94596	4a	Glass Shield, complete with 5.....	8163-282
64279	5	Gasket for 4a.....	8078-1134
	6	Screw, No. 10-30 x $\frac{5}{8}$ " Flat Hd. S. Mach. copper plated for fastening doors to case.	
123160	7	Name Plate (blank unless marking is specified).....	8225-240
	8	Screw No. 6-40 x $\frac{3}{8}$ " Fil. Hd. Br. Mach. for fastening 7 to 2. Strap for securing 7 to 2.....	11893-200
122932	9	Stop Plate for .5 second time interval.....	11893-176
118957	10	Stop Plate for .75 second time interval.....	11893-141
116304	11	Rivet for fastening 10 or 11 to 2 and 13 to 2.....	10301-1
54921	12	Flat spring (wire clamp).....	8735-580
	14	Screw, No. 6-40 x $\frac{1}{4}$ " Rd. Hd. Br. Mach. nickel plated.	
20686	14a	Washer for 14.....	7828-108

UNION SWITCH & SIGNAL CO.

Zachary C. Gillihan 2008

CASE AND OPERATING MECHANISM DETAILS FOR STYLE SV-30  
SLOW RELEASE AND STYLE SV-31 FLASHER VANE RELAYS

(Continued)

Order by Plate, Piece, Reference and Description

Drawing references are shown for convenience in checking material with shipping lists and invoices.

Piece	Ref.	Description	Drawing Reference
	15	Screw, No. 14-24 x 1" Fil. Hd. Br. Mach. for fastening top plate to case 2.	
38448	16	Washer for 15.....	7826-98
34340	17	Ventilator ( $\frac{9}{16}$ " ) for bottom of case 2.....	C-7459-6
116227	18	Vane, complete, as shown with pinion and clutch.....	10985-34
116175	19	Segment, complete, as shown with shaft, counter weight arm and nuts.....	C-8286-2
29134	20	Counterweight Nut for 19.....	8109-201
96403	21	Trunnion screw with nut, complete ( $\frac{5}{8}$ " long).....	12471-5
51924	21a	Trunnion Screw only for 28.....	8378-233
29577	21b	Nut only for 21 and 22.....	8109-205
124890	22	Trunnion Screw with nut, complete, ( $\frac{13}{16}$ " long).....	12471-5
124888	22a	Trunnion Screw only for 22.....	8378-233
116253	23	Link, complete.....	8232-175
62223	24	Pin for fastening 23 to 26.....	8097-837

## UNION SWITCH &amp; SIGNAL CO.

CASE AND OPERATING MECHANISM DETAILS FOR STYLE SV-30  
SLOW RELEASE AND STYLE SV-31 FLASHER VANE RELAYS

(Continued)

Zachary C. Gillihan 2008

Order by Plate, Piece, Reference and Description

Drawing references are shown for convenience in checking material with shipping lists and invoices.

Piece	Ref.	Description	Drawing Reference
56135	25	Pin for fastening 23 to 19 .....	8097-652
	26	Top Plate complete with terminal posts, brackets, contact springs and supports. See Plate E-1035 for all details except for contact spring supports ref. 27, 27a and 27b detailed in this plate .....	C-8289-2
116166	27	Contact spring support, complete for relays having a total of 6 front and 6 back non-independent contacts	C-8286-2
117470	27a	Contact spring support, complete for relays having a total of 7 front and 5 back independent contacts .....	C-8286-2
122945	27b	Contact spring support, complete for relays having a total of 5 front and 5 back non-independent and 1 front and 1 back independent contacts .....	C-8286-2
	28	Field, complete with laminated cores. When ordering for renewal, refer to the piece number shown on the name plate of the complete relay.	
116258	29	Screw for fastening laminated core to case 2 .....	8098-909
	30	Washer $\frac{1}{4}$ " Std. Plate (sher.) for 35.	
73587	31	Flexible connector for grounding contact spring support to frame .....	10934-107
	32	Flasher Attachment for style SV-31 Relay shown on Plate E-1062.	