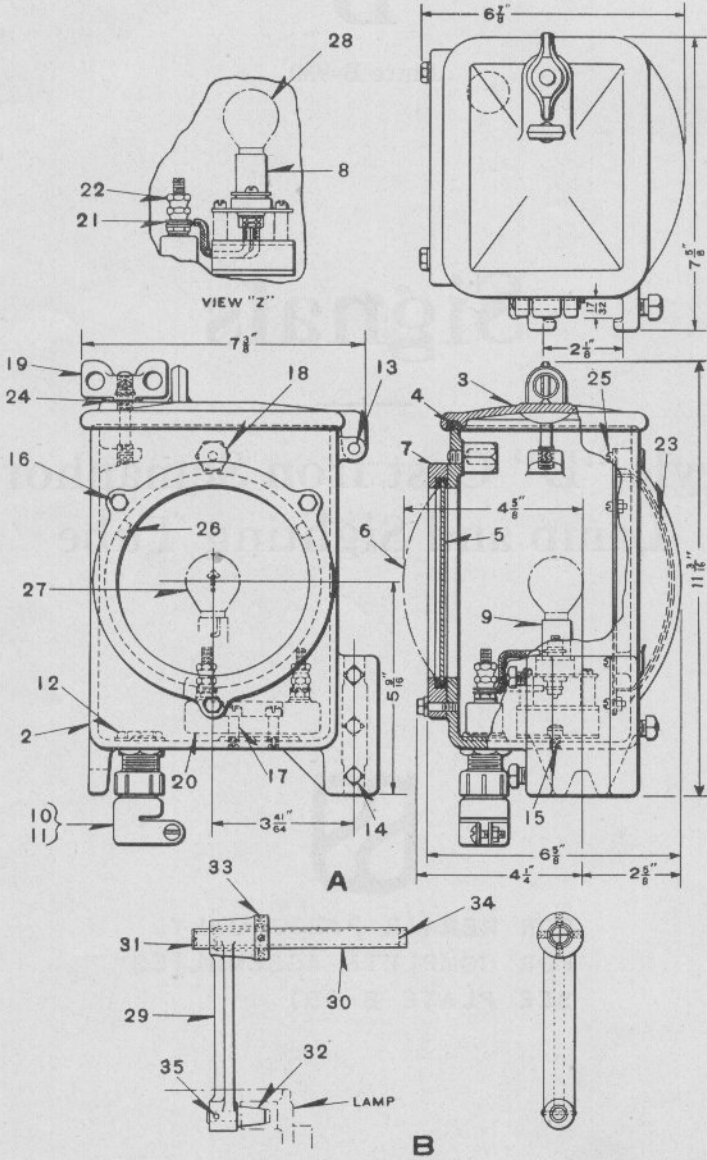


UNION SWITCH & SIGNAL COMPANY

Zachary C. Gillihan 2008



STYLE "D" CAST IRON SEMAPHORE LAMP AND SIGHTING TUBE

UNION SWITCH & SIGNAL COMPANY  
**Zachary C. Gillihan 2008**  
 STYLE "D" CAST IRON SEMAPHORE LAMP  
 AND SIGHTING TUBE

For Application of Lamp to Signals see Bulletin No. 128

Order by Plate, Piece, Reference and Abbreviated Description Given in  
 Heavy Face Type Only

Drawing references are shown for convenience in checking material with shipping lists and invoices.

Style "D" Cast Iron Semaphore Lamp, Complete (No Bulb)					
Piece	Ref.	Lamp Contacts	Cover Glass	Remarks	Drawing Reference
150196	A	Single (As shown)	Flat Clear Roundel	For Dwarf and High Signal	B-9224-69
149687	Aa	Double (View "Z")	Flat Clear Roundel	For Dwarf and High Signal	B-9224-69
150485	Ab	Single (As shown)	40° Deflecting Roundel	For Dwarf Signal	B-9224-69
150484	Ac	Double (View "Z")	40° Deflecting Roundel	For Dwarf Signal	B-9224-69
151089	Ad	Single (As shown)	5 $\frac{3}{8}$ " Lunar White Roundel		B-9224-69
Piece	Ref.	Description			Drawing Reference
150266	B	Sighting Tube for Style "D" C. I. Semaphore Lamp, complete as shown for Dwarf and High Signals.....			C-9003-4
149645	2	Case.....			C-8123-19
	3	Cover with Gasket (Inc. 1-3a and 1-4).....			C-8123-20
149563	3a	Cover only, for Ref. 3.....			C-8123-20
149778	4	Gasket.....			8078-1454
149548	5	Flat Clear Roundel, for Refs. A and Aa.....			8163-222
150587	6	Deflecting Cover Glass, 5 $\frac{3}{8}$ " Dia., 40° for Refs. Ab and Ac.....			B-8276-49

UNION SWITCH & SIGNAL COMPANY  
**Zachary C. Gillihan 2008**

STYLE "D" CAST IRON SEMAPHORE LAMP  
 AND SIGHTING TUBE

(Continued)

For Application of Lamp to Signals see Bulletin No. 128

Order by Plate, Piece, Reference and Abbreviated Description Given in  
 Heavy Face Type Only

Drawing references are shown for convenience in checking material with  
 shipping lists and invoices.

Piece	Ref.	Description	Drawing Reference
	6a	Lunar White Convex Sema. Roundel, 5 $\frac{3}{8}$ " Dia. for Ref. Ad.	
137445	7	Lens Ring .....	7632-223
150195	8	Receptacle complete (for Double Contact Lamp) for Refs. Aa and Ac.....	9954-64
149750	9	Receptacle complete (for Single Contact Lamp) for Refs. A, Ab and Ad.....	9954-63
	10	Box Connector, $\frac{3}{4}$ " M. I. Galv.	
	11	Panel Box Adapter, $\frac{3}{4}$ " M. I. Galv.	
	12	Conduit Bushing, $\frac{3}{4}$ " M. I.	
149774	13	Pin, for attaching cover Ref. 3 to case Ref. 2.....	B-10202-1
	14	Set Screw, $\frac{3}{8}$ "-16x $\frac{5}{8}$ " Rd. Pt. Sq. Hd. (Cad. Pl.) for lamp bracket socket.	
	15	Machine Screw, No. 12-28x $\frac{3}{8}$ " Fil. Hd. S. (Cad. Pl.) for attaching receptacle Ref. 8 or 9, to case, Ref. 2.	
	16	Machine Screw, $\frac{1}{4}$ "-20x $\frac{7}{8}$ " Hex. Hd. S. with $\frac{1}{4}$ " Pl. S. Lock Washer ( $\frac{1}{16}$ "x $\frac{1}{16}$ " ) Cad. Pl. for attaching lens ring Ref. 7 to case, Ref. 2.	
	17	Machine Screw, No. 12-28x $\frac{3}{4}$ " Fil. Hd. S. (Cad. Pl.) for attaching terminal block Ref. 20 to base.	
149681	18	Telescope Supporting Stud.....	8114-678
132539	19	Thumb Screw.....	8331-69
	20	Terminal Block, with Washers and Nuts (Inc. 1-20a, 4-21 and 4-22).....	9968-625

UNION SWITCH & SIGNAL COMPANY  
**Zachary C. Gillihan 2008**

STYLE "D" CAST IRON SEMAPHORE LAMP  
 AND SIGHTING TUBE

(Continued)

For Application of Lamp to Signals see Bulletin No. 128

Order by Plate, Piece, Reference and Abbreviated Description Given in  
 Heavy Face Type Only

Drawing references are shown for convenience in checking material with  
 shipping lists and invoices.

Piece	Ref.	DESCRIPTION	Drawing Reference
116846	20a	Terminal Block, with Terminal Posts (Without Refs. 21 and 22).....	9968-625
29102	21	Washer, for Ref. 20.....	7828-139
29101	22	Nut, for Ref. 20.....	8109-193
149802	23	Reflector.....	C-8123-20
147448	24	Gasket.....	8078-422
	25	Machine Screw, No. 10-30x $\frac{3}{8}$ " Fil. Hd. S. (Cad. Pl.) for attaching reflector, Ref. 23 to Case, Ref. 2.	
131706	26	Felt Gasket (3 pieces) for A and Aa.....	8078-1367
120799	27	Lamp Bulb (Single Contact) 3.5 Volts, .3 Amp.....	B-12409-12
120800	27a	Lamp Bulb (Single Contact) 8 Volts, .25 Amps.....	B-12409-12
120801	27b	Lamp Bulb (Single Contact) 10 Volts, .25 Amps.....	B-12409-12
120802	27c	Lamp Bulb (Single Contact) 12 Volts, .25 Amps.....	B-12409-12
120803	27d	Lamp Bulb (Single Contact) 13.5 Volts, .25 Amps.....	B-12409-12
124019	28	Lamp Bulb (Double Contact) 13.5 Volts, .25 Amps....	B-12409-12
112085	28a	Lamp Bulb (Double Contact) 3.5 Volts, .3 Amps.....	B-12409-12
		Note:—Refs. 29 to 35 are shown for information. If repairs are wanted, the sighting device complete should be returned to our factory.	