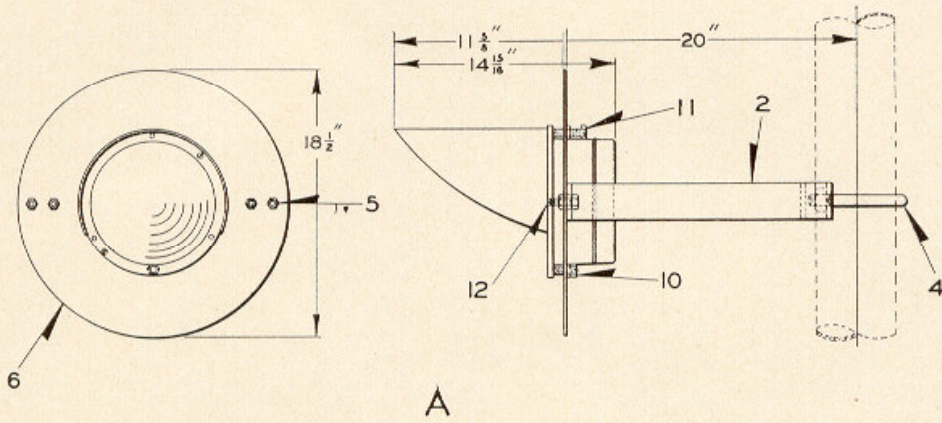
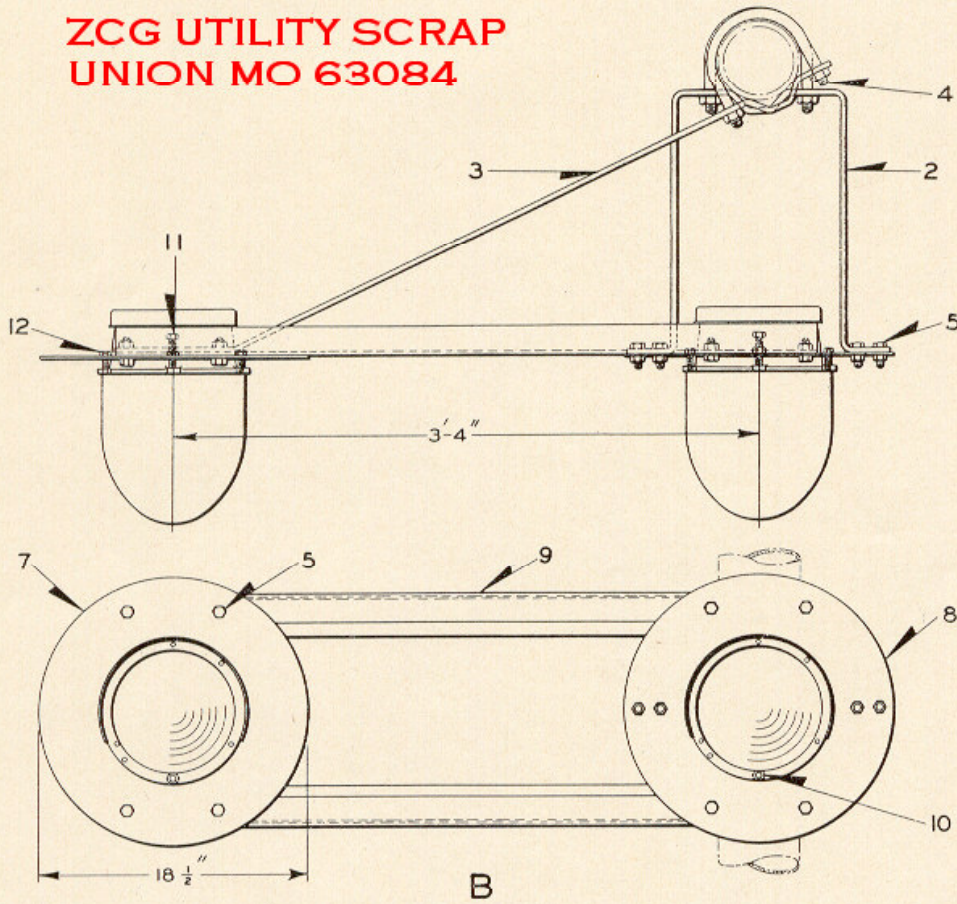


UNION SWITCH & SIGNAL CO.

MEMORANDA



**ZCG UTILITY SCRAP  
UNION MO 63084**



**STYLE "G" COLOR POSITION LIGHT SIGNALS  
DETAIL PARTS  
SINGLE AND DOUBLE MARKER LIGHT UNITS**

**ZCG UTILITY SCRAP**  
**UNION MO 63084**

UNION SWITCH & SIGNAL CO.

**STYLE "G" COLOR POSITION LIGHT SIGNALS**  
**DETAIL PARTS**  
**SINGLE AND DOUBLE MARKER LIGHT UNITS**

If units with different color lens than those listed are desired, orders should so state.

All signal units are equipped at the factory with lamp receptacles Ref. 25, Plate B-2930.

Orders must specify reference for lamp (see Refs. 28 and 29, Plate B-2930), also adapter if required (see Refs. 26 and 26a, Plate B-2930). Orders must specify street ell Ref. 11 and nipple Ref. 12, Plate B-2945 when required.

If signals are required according to A. A. R. Specification 162-35 (Electric Color Position Light Signals), Adjustable Adapter Ref. 26, and lamp Ref. 28, Plate B-2930 will be furnished.

**Order by Plate, Piece, Reference and Abbreviated Description Given in Heavy Face Type Only**

Single Marker Light Unit, complete with 18½" Background, Bracket and "U" Bolt for attaching to 5" Pipe Post.					
Piece	Ref.	Color Light Unit Plate B-2930		Remarks	Dwg. Ref.
		Ref.	Color		
170301	A	Ah	Clear	30° Spread	C-9330-3
	Aa	Ak	Clear		C-9330-3
	Ab	A	Lunar White		C-9330-3
	Ac	Ac	Red		C-9330-3
	Ad	Ab	Yellow		C-9330-3
	Ae	Aj	Clear		With Letter "S"
Single Marker Light Unit, complete with 18½" Background, Bracket and "U" Bolt for attaching to 6" Pipe Post.					
Piece	Ref.	Color Light Unit Plate B-2930		Remarks	Dwg. Ref.
		Ref.	Color		
	Af	Ah	Clear	30° Spread	C-9330-3
	Ag	Ak	Clear		C-9330-3
	Ah	A	Lunar White		C-9330-3
	Aj	Ac	Red		C-9330-3
	Ak	Ab	Yellow		C-9330-3
	Am	Aj	Clear		With Letter "S"

UNION SWITCH & SIGNAL CO.

**ZCG UTILITY SCRAP  
UNION MO 63084**

STYLE "G" COLOR POSITION LIGHT SIGNALS

(Continued)

DETAIL PARTS

SINGLE AND DOUBLE MARKER LIGHT UNITS

Order by Plate, Piece, Reference and Abbreviated Description Given in  
Heavy Face Type Only

**Double Marker Light Unit**, complete with 18½" Backgrounds, Brackets and "U"  
Bolts for attaching to 5" Pipe Post.

Piece	Ref.	Color Light Unit Plate B-2930		Remarks	Dwg. Ref.
		Ref.	Color		
169027	B	Ah	Clear	30° Spread	C-9330-4
	Ba	Ak	Clear		C-9330-4
	Bb	A	Lunar White		C-9330-4
	Bc	Ac	Red		C-9330-4
	Bd	Ab	Yellow		C-9330-4
	Be	Aj	Clear		With Letter "S"

**Double Marker Light Unit**, complete with 18½" Backgrounds, Brackets and "U"  
Bolts for attaching to 6" Pipe Post.

Piece	Ref.	Color Light Unit Plate B-2930		Remarks	Dwg. Ref.
		Ref.	Color		
	Bf	Ah	Clear	30° Spread	C-9330-4
	Bg	Ak	Clear		C-9330-4
	Bh	A	Lunar White		C-9330-4
	Bj	Ac	Red		C-9330-4
	Bk	Ab	Yellow		C-9330-4
	Bm	Aj	Clear		With Letter "S"

## UNION SWITCH &amp; SIGNAL CO.

## STYLE "G" COLOR POSITION LIGHT SIGNALS

(Continued)

## DETAIL PARTS

## SINGLE AND DOUBLE MARKER LIGHT UNITS

Order by Plate, Piece, Reference and Abbreviated Description Given in  
Heavy Face Type Only

Piece	Ref.	Description	Drawing Reference
410673	2	Bracket for 5" Pipe.....	410673-1
413539	2a	Bracket for 6" Pipe.....	410673-2
410681	3	Bottom Brace for Double Unit.....	410681-
410682	3a	Top Brace for Double Unit.....	410682-
43128	4	3/4" "U" Bolt with 3/4" Hex. Nuts for 5" Pipe.....	8782-63
125454	4a	3/4" "U" Bolt with 3/4" Hex. Nuts for 6" Pipe.....	8782-167
	5	Bolt 1/2"x1 1/4" Hex. Hd. with 1/2" Hex. Nut for attaching Background to Bracket.	
168993	6	Background, 18 1/2" Diameter, for Single Marker Unit	C-9331-1
168994	7	Background, 18 1/2" Diameter, for Double Marker Unit	C-9331-1
168995	8	Background, 18 1/2" Diameter, for Double Marker Unit	C-9331-1
410680	9	Angle for Double Marker Unit.....	410680-
410670	10	Bolt with Nut Ref. 10a.....	410670-
534	10a	Hex. Nut 3/8".....	8109-29
410671	11	Special Bolt, 3/8"x2", with Nut Ref. 10a.....	410671-
169496	12	Bolt 3/8"x1 5/8".....	8709-58

**ZCG UTILITY SCRAP  
UNION MO 63084**