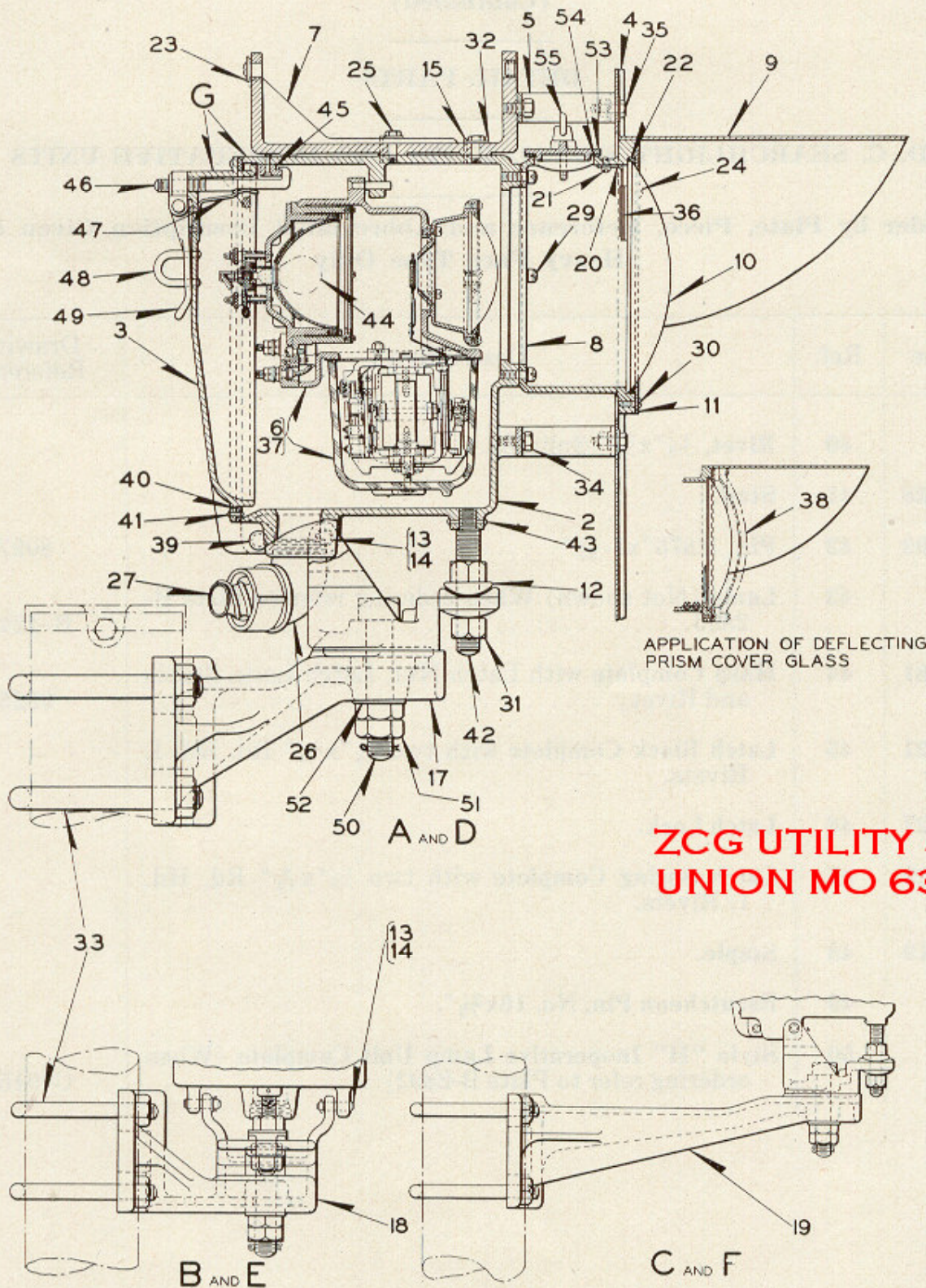


UNION SWITCH & SIGNAL CO.



ZCG UTILITY SCRAP  
UNION MO 63084

STYLE "H-2" THREE POSITION COLOR LIGHT  
SEARCHLIGHT SIGNAL

**UNION SWITCH & SIGNAL CO.**

**STYLE "H-2" THREE POSITION COLOR LIGHT  
SEARCHLIGHT SIGNAL  
DETAIL PARTS**

**D. C. SEARCHLIGHT SIGNAL UNITS AND INOPERATIVE UNITS**

Unless otherwise specified, signals will be furnished with 8 $\frac{3}{8}$ " lens and with operating unit for 6 to 8 volts, Reference A, Plate B-2888 and with "U" bolts for 5" Pipe.

Voltage of lamps must be specified on orders.

Inoperative signal units are shown on Plate B-2892.

If Operating Units without Contacts are desired refer to Plate B-2889.

**Order by Plate, Piece, Reference and Abbreviated Description Given in  
Heavy Face Type Only**

Style "H-2" D.C. Color Light Searchlight Signal Unit with 8 $\frac{3}{8}$ " Plano-Convex Lens, Background, Operating Unit (Orders should state operating unit desired by referring to Plates B-2888 and B-2889), Lamp Ref. 44, U-Bolts, Mounting Bracket, Conduit and Fittings.					
Piece	Ref.	Mounting	Mounting Bracket	Remarks	Drawing Reference
	A	Front Top of Mast	Ref. 17		C-9104-6
	B	Side of Mast	Ref. 18		C-9104-7
	C	Front or Side of Mast	Ref. 19	see note*	C-9104-
*This type of bracket is for use with units mounted directly in front of Post where it is not desirable to use front top of Post mounting; this bracket can also be used for mounting units to either side of post.					
Style "H-2" D.C. Inoperative Searchlight Signal Unit, with 8 $\frac{3}{8}$ " Plano-Convex Lens, Background, Lamp Unit Plate B-2892, Lamp Ref. 44, U-Bolts, Mounting Bracket, Conduit and Fittings.					
Piece	Ref.	Mounting	Mounting Bracket	Remarks	Drawing Reference
	D	Front Top of Mast	Ref. 17		C-9104-
	E	Side of Mast	Ref. 18		C-9104-
	F	Front or Side of Mast	Ref. 19	see note*	C-9104-
*This type of bracket is for use with units mounted directly in front of Post where it is not desirable to use front top of Post mounting; this bracket can also be used for mounting units to either side of post.					

**STYLE "H-2" THREE POSITION COLOR LIGHT  
SEARCHLIGHT SIGNAL  
(Continued)**

**DETAIL PARTS**

**D. C. SEARCHLIGHT SIGNAL UNITS AND INOPERATIVE UNITS**

**Order by Plate, Piece, Reference and Abbreviated Description Given in  
Heavy Face Type Only**

Piece	Ref.	Description	Drawing Reference
145315	G	Case and Door Complete with Latch (Inc. 1-2, 1-3, 1-40, 14-41, 2-39, 1-42, 1-43, 1-45, 1-46, 1-47, 1-48, and 1-49).....	C-9104-2
144203	2	Case.....	C-9105-1
144204	3	Door.....	C-9105-2
144459	4	Background (2' 11" Diam.).....	C-9105-6
178937	5	Support.....	10914-458
	6	Style "H-2" Searchlight Signal Operating Unit Complete (When ordering refer to Plates B-2888 and B-2889).....	C-9157-10
152843	7	Sight Bracket Complete with Tube, Screw, Sight and Clamp Plates.....	C-9105-11
167996	8	Lens Housing.....	C-9105-16
65898	9	Hood.....	C-8842-15
169299	10	8 <sup>3</sup> / <sub>8</sub> " Diam. Clear Outer Lens.....	B-8276-63
71187	11	Lens Ring.....	7436-106
146404	12	Washer.....	8065-201
144627	13	Pin, <sup>7</sup> / <sub>16</sub> "x1 <sup>11</sup> / <sub>16</sub> " with <sup>1</sup> / <sub>8</sub> "x <sup>3</sup> / <sub>4</sub> " Cotter.....	B-10212-1
48750	14	Washer.....	7826-117
38851	15	Pin, .1285"x <sup>7</sup> / <sub>8</sub> ".....	8097-423
65018	16	Screw, <sup>5</sup> / <sub>16</sub> "-18x <sup>3</sup> / <sub>8</sub> " with <sup>5</sup> / <sub>16</sub> " Plain S. Lock Washer ( <sup>3</sup> / <sub>32</sub> "x <sup>1</sup> / <sub>8</sub> " (Cad. Pl.) for attaching Operating Unit to Case (Not shown).....	8190-312

**ZCG UTILITY SCRAP  
UNION MO 63084**

UNION SWITCH &amp; SIGNAL CO.

**STYLE "H-2" THREE POSITION COLOR LIGHT  
SEARCHLIGHT SIGNAL  
(Continued)**

**DETAIL PARTS**

**D. C. SEARCHLIGHT SIGNAL UNITS AND INOPERATIVE UNITS**

**Order by Plate, Piece, Reference and Abbreviated Description Given in  
Heavy Face Type Only**

Piece	Ref.	Description	Drawing Reference
147483	17	Adjusting Bracket for front top of mast application (For details see Ref. Aa, Plate B-2896) (Without "U" Bolts).....	C-9105-7
147489	18	Adjusting Bracket for side of mast application (For details see Ref. C, Plate B-2896) (Without "U" Bolts).....	C-9105-8
162983	19	Adjusting Bracket for front or side of mast application (For details see Ref. A, Plate B-2896) (Without "U" Bolts).....	C-9105-15
169684	20	Lens Ring for Ref. 56.....	8735-734
	21	Machine Screw, No. 10-30x $\frac{1}{4}$ " Fil. Hd. S. (Cad. Pl.).	
131706	22	Gasket.....	8078-1367
	23	Escutcheon Pin, No. 16x $\frac{3}{8}$ ".	
	24	Machine Screw, No. 14-24x $\frac{3}{8}$ " Rd. Hd. Br.	
	25	Tap Bolt, $\frac{5}{16}$ "-18x1" Hex. Hd. S. (Cad. Pl.).	
	26	1 $\frac{1}{2}$ " Street Ell M. I. Galv..	
	27	Jake Str. Box Connector, 1 $\frac{1}{2}$ " M. I. Galv.	
	28	Machine Screw, No. 10-30x $\frac{1}{4}$ " Rd. Hd. S. (Cad. Pl.) for attaching Hood Ref. 9 to Case Ref. 2 (Not shown).	
	29	Machine Screw, $\frac{5}{16}$ "-18x1" Fil. Hd. S. (Cad. Pl.) with $\frac{5}{16}$ " Pl. S. Lock Washer ( $\frac{3}{32}$ "x $\frac{1}{8}$ " (Cad. Pl.).	
	30	Machine Screw, No. 10-30x $\frac{3}{8}$ " Rd. Hd. Br.	
	31	Hex. Nut, Std. $\frac{3}{4}$ " (Cad. Pl.).	

## UNION SWITCH &amp; SIGNAL CO.

STYLE "H-2" THREE POSITION COLOR LIGHT  
SEARCHLIGHT SIGNAL

(Continued)

**ZCG UTILITY SCRAP**  
**UNION MO 63084** **DETAIL PARTS**

## D. C. SEARCHLIGHT SIGNAL UNITS AND INOPERATIVE UNITS

Order by Plate, Piece, Reference and Abbreviated Description Given in  
Heavy Face Type Only

Piece	Ref.	Description	Drawing Reference
	32	Plate Washer, $\frac{5}{16}$ " S. (Cad. Pl.).	
43931	33	$\frac{3}{4}$ " U-Bolt with Hex. Nuts for attaching unit to 5" Pipe.....	8782-66
44199	33a	$\frac{3}{4}$ " U-Bolt with Hex. Nuts for attaching unit to 6" Pipe.....	8782-69
97657	33b	$\frac{3}{4}$ " U-Bolt with Hex. Nuts for attaching unit to 5" Casing.....	8782-66
	34	Tap Bolt, $\frac{3}{8}$ "-16x $\frac{3}{4}$ " Hex. Hd. S. (Cad. Pl.) with $\frac{3}{8}$ " Pl. S. Lock Washer ( $\frac{5}{32}$ "x $\frac{1}{16}$ " (Cad. Pl.).	
	35	Tap Bolt, $\frac{5}{16}$ "-18x1" Hex. Hd. S. with $\frac{5}{16}$ " S. Plate Washer, $\frac{5}{16}$ " Hex. Nut and $\frac{5}{16}$ " Plain S. Lock Washer ( $\frac{3}{32}$ "x $\frac{1}{8}$ ").	
143512	36	Clear Light Deflecting Prism (2 $\frac{5}{16}$ " Diam.).....	B-8276-33
	37	Style "H-2" Inoperative Lamp Unit Complete (When ordering refer to Plate B-2892).....	C-9158-8
90897	38	Deflecting Prism Cover Glass (10° Spread one direction) Used with 8 $\frac{3}{8}$ " Lens.....	C-8901-8
90898	38a	Deflecting Prism Cover Glass (20° Spread one direction) Used with 8 $\frac{3}{8}$ " lens.....	C-8901-8
170245	38b	Spreadlite Prism Cover Glass (15° Spread in each direction) Used with 8 $\frac{3}{8}$ " lens.....	C-9105-12
174987	38c	Spreadlite Prism Cover Glass (8° Spread in each direction) Used with 8 $\frac{3}{8}$ " lens.....	C-9105-12
137853	39	Pin, $\frac{7}{16}$ "x1 $\frac{5}{8}$ ".....	B-10211-1
	40	Packing Gasket, $\frac{1}{4}$ "x $\frac{1}{2}$ "x3' 3 $\frac{1}{2}$ ".	
	41	Rivet, $\frac{1}{8}$ "x $\frac{3}{4}$ " Split Br.	

## UNION SWITCH &amp; SIGNAL CO.

STYLE "H-2" THREE POSITION COLOR LIGHT  
SEARCHLIGHT SIGNAL  
(Continued)

## DETAIL PARTS

## D. C. SEARCHLIGHT SIGNAL UNITS AND INOPERATIVE UNITS

Order by Plate, Piece, Reference and Abbreviated Description Given in  
Heavy Face Type Only

Piece	Ref.	Description	Drawing Reference
410528	42	Stud.	
11992	43	Pin, .1875"x1 $\frac{13}{32}$ " .....	8097-92
	44	Lamp (When ordering refer to Plate B-2885).....	B-12409-
410521	45	Latch Block Complete with two $\frac{3}{16}$ "x $\frac{3}{4}$ " Rd. Hd. I. Rivets.	
410527	46	Latch Lock.	
410529	47	Latch Spring Complete with two $\frac{1}{8}$ "x $\frac{9}{16}$ " Rd. Hd. I. Rivets.	
410319	48	Staple.	
175081	49	Hasp Complete with Latch Nut and Rivet.....	9925-30
	50	Bolt, 1"x5" with $\frac{1}{4}$ "x1 $\frac{1}{2}$ " Cotter, two Nuts Ref. 51 and Washer Ref. 52.....	8479-196
	51	Hex. Jam Nut, 1" (Cad. Pl.).	
80821	52	Washer for Ref. 50.....	7826-20
	53	Cover Complete with Gasket Ref. 54.....	C-9105-16
180927	54	Gasket for Ref. 53.....	8078-1503
116722	55	Thumb Screw, for attaching Ref. 53 to Case.....	8331-49

ZCG UTILITY SCRAP  
UNION MO 63084