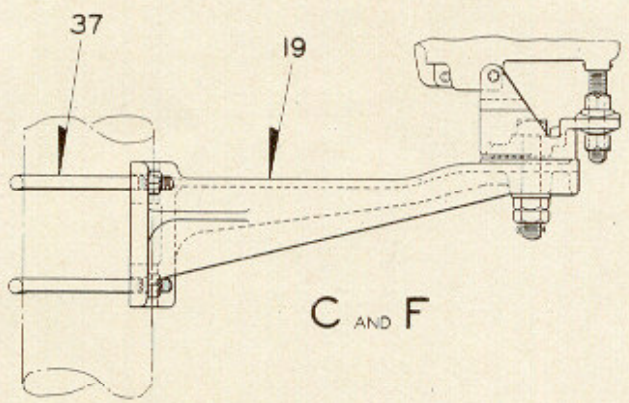
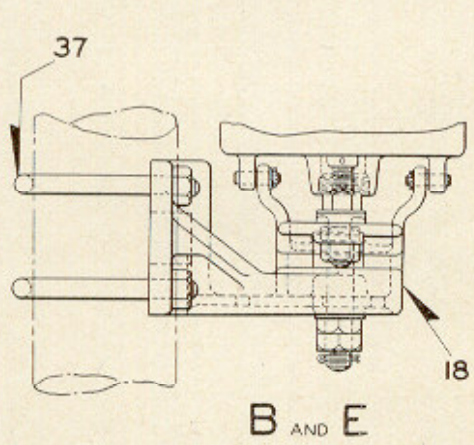
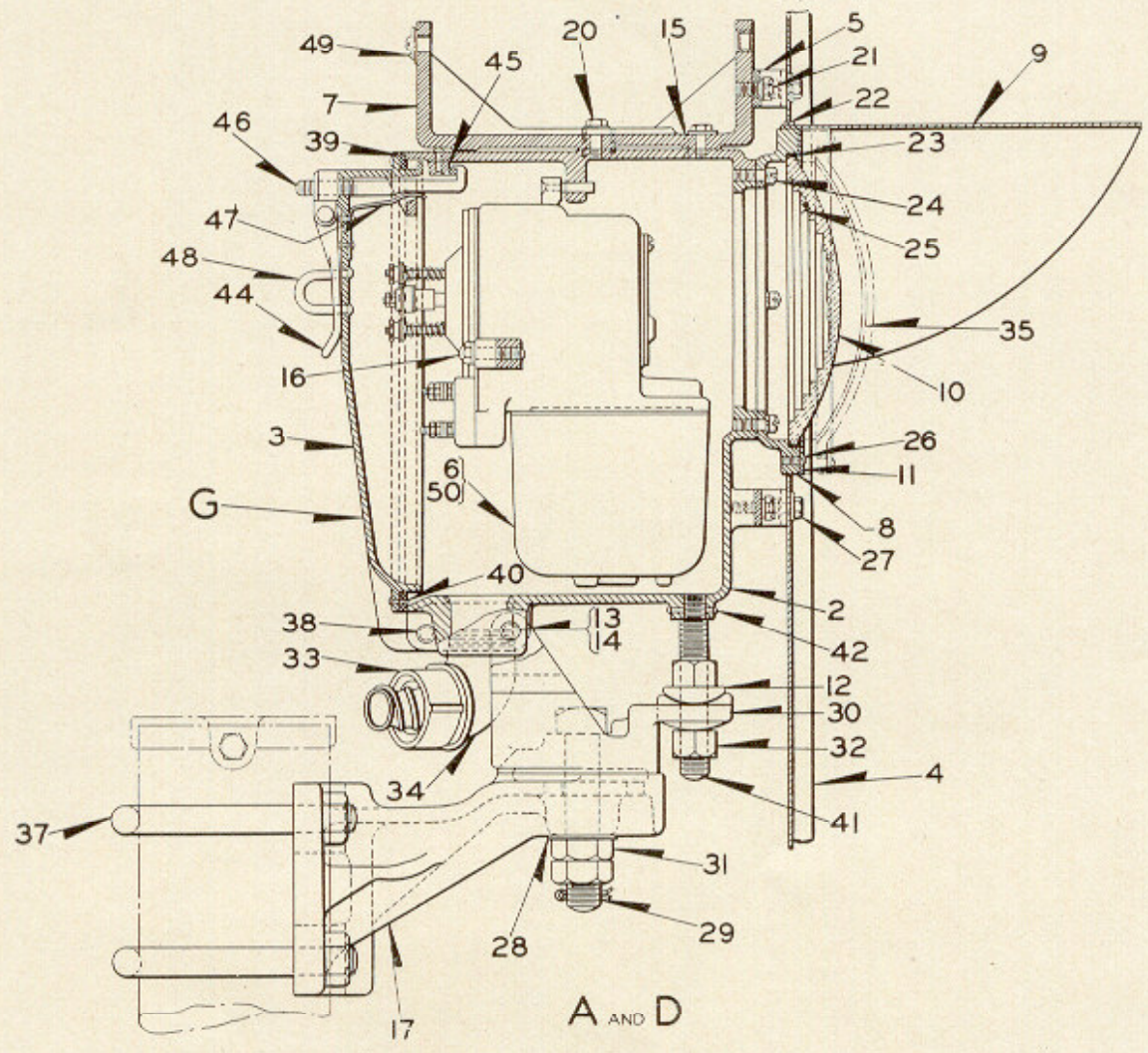


UNION SWITCH & SIGNAL CO.

ZCG UTILITY SCRAP
UNION MO 63084



**STYLE "H" THREE POSITION COLOR LIGHT
SEARCHLIGHT SIGNAL**

UNION SWITCH & SIGNAL CO.

**STYLE "H" THREE POSITION COLOR LIGHT
SEARCHLIGHT SIGNAL
DETAIL PARTS**

D. C. SEARCHLIGHT SIGNAL UNITS AND INOPERATIVE UNITS

Unless otherwise specified, signals will be furnished with 8³/₈" lens and with operating unit for 6 to 8 volt, Reference A, Plate B-2885, and with "U" bolts for 5" Pipe.

Voltage of lamps must be specified on orders.

Inoperative signal units are shown on Plate B-2892.

If Operating Units without Contacts are desired refer to Plate B-2886.

**Order by Plate, Piece, Reference and Abbreviated Description Given in
Heavy Face Type Only**

Style "H" D.C. Color Light Searchlight Signal Unit with Background, Operating Unit (Orders should state operating unit desired by referring to Plates B-2885 and B-2886), Lamp Ref. 43, U-Bolts, Mounting Bracket, Conduit and Fittings.					
Piece	Ref.	Mounting	Mounting Bracket	Remarks	Drawing Reference
	A	Front Top of Mast	Ref. 17		C-9104-3
	B	Side of Mast	Ref. 18		C-9104-2
	C	Front or Side of Mast	Ref. 19	see note*	C-9104-3
*This type of bracket is for use with units mounted directly in front of Post where it is not desirable to use front top of Post mounting; this bracket can also be used for mounting units to either side of post.					
Style "H" D.C. Inoperative Searchlight Signal Unit, with Background, lamp Unit Plate B-2892, Lamp Ref. 43, U-Bolts, Mounting Bracket, Conduit and Fittings.					
Piece	Ref.	Mounting	Mounting Bracket	Remarks	Drawing Reference
	D	Front Top of Mast	Ref. 17		C-9104-
	E	Side of Mast	Ref. 18		C-9104-
	F	Front of Side of Mast	Ref. 19	See note*	C-9104-
*This type of bracket is for use with units mounted directly in front of Post where it is not desirable to use front top of Post mounting; this bracket can also be used for mounting units to either side of post.					

UNION SWITCH & SIGNAL CO.

**ZCG UTILITY SCRAP
UNION MO 63084**

**STYLE "H" THREE POSITION COLOR LIGHT
SEARCHLIGHT SIGNAL
(Continued)**

DETAIL PARTS

D. C. SEARCHLIGHT SIGNAL UNITS AND INOPERATIVE UNITS

**Order by Plate, Piece, Reference and Abbreviated Description Given in
Heavy Face Type Only**

Piece	Ref.	Description	Drawing Reference
145315	G	Case and Door Complete with Latch (Inc. 1-2, 1-3, 1-45, 1-46, 1-47, 1-48, 1-44, 1-39, 14-40, 2-38, 1-41 and 1-42).....	C-9104-2
144203	2	Case only.....	C-9105-1
144204	3	Door.....	C-9105-2
144459	4	Background (2' 11" Diam.).....	C-9105-6
146805	5	Support for Ref. 4.....	9999-520
	6	Style "H" Searchlight Signal Operating Unit Complete (When ordering refer to Plates B-2885 and B-2886).....	C-9157-2
152843	7	Sight Bracket Complete with Tube, Screw, Sight and Clamp Plates.....	C-9105-11
144456	8	Lens Housing.....	C-9105-6
65898	9	Hood.....	C-8842-15
170583	10	8 ³ / ₈ " Diam. Clear Lens 5" Focus with 40° center Deflecting Prism and Gasket Ref. 23.....	B-8276-41
178811	10a	8 ³ / ₈ " Diam. Clear Lens 5" Focus with Plain Center and Gasket Ref. 23.....	B-8276-41
71187	11	Lens Ring.....	7436-106
146404	12	Washer.....	8065-201
144627	13	Pin, ⁷ / ₁₆ " x 1 ¹¹ / ₁₆ " with ¹ / ₈ " x ³ / ₄ " Cotter.....	B-10212-1
48750	14	Washer.....	7826-117
38851	15	Pin, .1285" x ⁷ / ₈ ".....	8097-423

UNION SWITCH & SIGNAL CO.

**STYLE "H" THREE POSITION COLOR LIGHT
SEARCHLIGHT SIGNAL
(Continued)**

DETAIL PARTS

D. C. SEARCHLIGHT SIGNAL UNITS AND INOPERATIVE UNITS

**Order by Plate, Piece, Reference and Abbreviated Description Given in
Heavy Face Type Only**

Piece	Ref.	Description	Drawing Reference
65018	16	Screw, $\frac{5}{16}$ "-18x $\frac{3}{8}$ " with $\frac{5}{16}$ " Plain S. Lock Washer ($\frac{3}{32}$ "x $\frac{1}{8}$ " (Cad. Pl.) for attaching Operating Unit to case.....	8190-312
147483	17	Adjusting Bracket for front top of mast application (For details see Ref. Aa, Plate B-2896) (Without "U" Bolts).....	C-9105-7
147489	18	Adjusting Bracket for side of mast application (For details see Ref. C, Plate B-2896) (Without "U" Bolts).....	C-9105-8
162983	19	Adjusting Bracket for front or side of Mast application (For details see Ref. A, Plate B-2896) (Without "U" Bolts).....	C-9105-15
	20	Tap Bolt, $\frac{5}{16}$ "-18x1" Hex. Hd. S. with $\frac{5}{16}$ " Plate Washer (Cad. Pl.).	
	21	Tap Bolt, $\frac{3}{8}$ "-16x $\frac{3}{4}$ " Hex. Hd. S. with $\frac{3}{8}$ " Plain S. Lock Washer ($\frac{5}{32}$ "x $\frac{1}{16}$ " Cad. Pl.	
	22	Machine Screw, No. 10-30x $\frac{1}{4}$ " Rd. Hd. S. (Cad. Pl.).	
	23	Lamp Wicking, 2' 6" x $\frac{1}{16}$ " x 1".	
	24	Machine Screw, $\frac{5}{16}$ "-18x1" Fil. Hd. S. with $\frac{5}{16}$ " Plain S. Lock Washer ($\frac{3}{32}$ "x $\frac{1}{8}$ " Cad. Pl.	
	25	Machine Screw, No. 14-24x $\frac{3}{8}$ " Rd. Hd. Br.	
	26	Machine Screw, No. 10-30x $\frac{3}{8}$ " Rd. Hd. Br.	
	27	Tap Bolt, $\frac{5}{16}$ "x1" Hex. Hd. S. with $\frac{5}{16}$ " Plate Washer, $\frac{5}{16}$ " Hex. Nut, and $\frac{5}{16}$ " Plain S. Lock Washer ($\frac{3}{32}$ "x $\frac{1}{8}$ " Cad. Pl.	
80821	28	Washer for Ref. 29.....	7826-20

UNION SWITCH & SIGNAL CO.

ZCG UTILITY SCRAP
UNION MO 63084

STYLE "H" THREE POSITION COLOR LIGHT
SEARCHLIGHT SIGNAL
(Continued)

DETAIL PARTS

D. C. SEARCHLIGHT SIGNAL UNITS AND INOPERATIVE UNITS

Order by Plate, Piece, Reference and Abbreviated Description Given in
Heavy Face Type Only

Piece	Ref.	Description	Drawing Reference
144205	29	Bolt, 1"x5" with $\frac{1}{4}$ "x1 $\frac{1}{2}$ " S. Cotter, two Nuts Ref. 31 and Washer Ref. 28.....	8479-196
	30	Supporting Bracket.....	C-9105-3
	31	Hex. Jam Nut, 1" (Cad. Pl.).	
	32	Hex. Jam Nut, $\frac{3}{4}$ " (Cad. Pl.).	
	33	Jake Str. Box Connector, 1 $\frac{1}{2}$ " M. I. Galv.	
90897	34	Street Ell, 1 $\frac{1}{2}$ " (Galv.).	
90897	35	Deflecting Prism Cover Glass (10° Spread one direction) used with 8 $\frac{3}{8}$ " Lens.....	C-8901-8
90898	35a	Deflecting Prism Cover Glass (20° Spread one direction) used with 8 $\frac{3}{8}$ " Lens.....	C-8901-8
170245	35b	Spreadlite Prism Cover Glass (15° Spread in each direction) used with 8 $\frac{3}{8}$ " Lens.....	C-9105-12
174897	35c	Spreadlite Prism Cover Glass (8° Spread in each direction) used with 8 $\frac{3}{8}$ " Lens.....	C-9105-12
	36	Machine Screw, No. 14-24x $\frac{5}{8}$ " Rd. Hd. Br. (Used to plug hole for deflecting prism) (Not shown).	
43931	37	$\frac{3}{4}$ " "U" Bolt with Hex. Nuts for attaching unit to 5" Pipe.....	8782-66
44199	37a	$\frac{3}{4}$ " "U" Bolt with Hex. Nuts for attaching unit to 6" Pipe.....	8782-69
97657	37b	$\frac{3}{4}$ " "U" Bolt with Hex. Nuts for attaching unit to 5" Casing.....	8782-66
137853	38	Pin, $\frac{7}{16}$ "x1 $\frac{5}{8}$ ".....	B-10211-1
	39	Packing Gasket, $\frac{1}{4}$ "x1 $\frac{1}{2}$ "x3' 3 $\frac{1}{2}$ ".	

**ZCG UTILITY SCRAP
UNION MO 63084**

UNION SWITCH & SIGNAL CO.

**STYLE "H" THREE POSITION COLOR LIGHT
SEARCHLIGHT SIGNAL
(Continued)**

DETAIL PARTS

D. C. SEARCHLIGHT SIGNAL UNITS AND INOPERATIVE UNITS

**Order by Plate, Piece, Reference and Abbreviated Description Given in
Heavy Face Type Only**

Piece	Ref.	Description	Drawing Reference
	40	Rivet, 1/8" x 3/4" Split Br.	
410528	41	Stud.	
11992	42	Pin, .1875" x 1-13/32"	8097-92
	43	Lamp (Not shown) When ordering refer to Plate B-2885	B-12409-
175081	44	Hasp Complete with Latch Nut, Latch Lock, Staple and Rivet	9925-30
410521	45	Latch Block Complete with two 3/16" x 3/4" Rd. Hd. I. Rivets.	
410527	46	Latch Lock.	
410529	47	Latch Spring Complete with two 1/8" x 9/16" Rd. Hd. I. Rivets.	
410319	48	Staple.	
	49	Escutcheon Pin. No. 16 x 3/8".	
	50	Style "H" Inoperative Lamp Unit Complete (When ordering refer to Plate B-2892)	C-9158-8