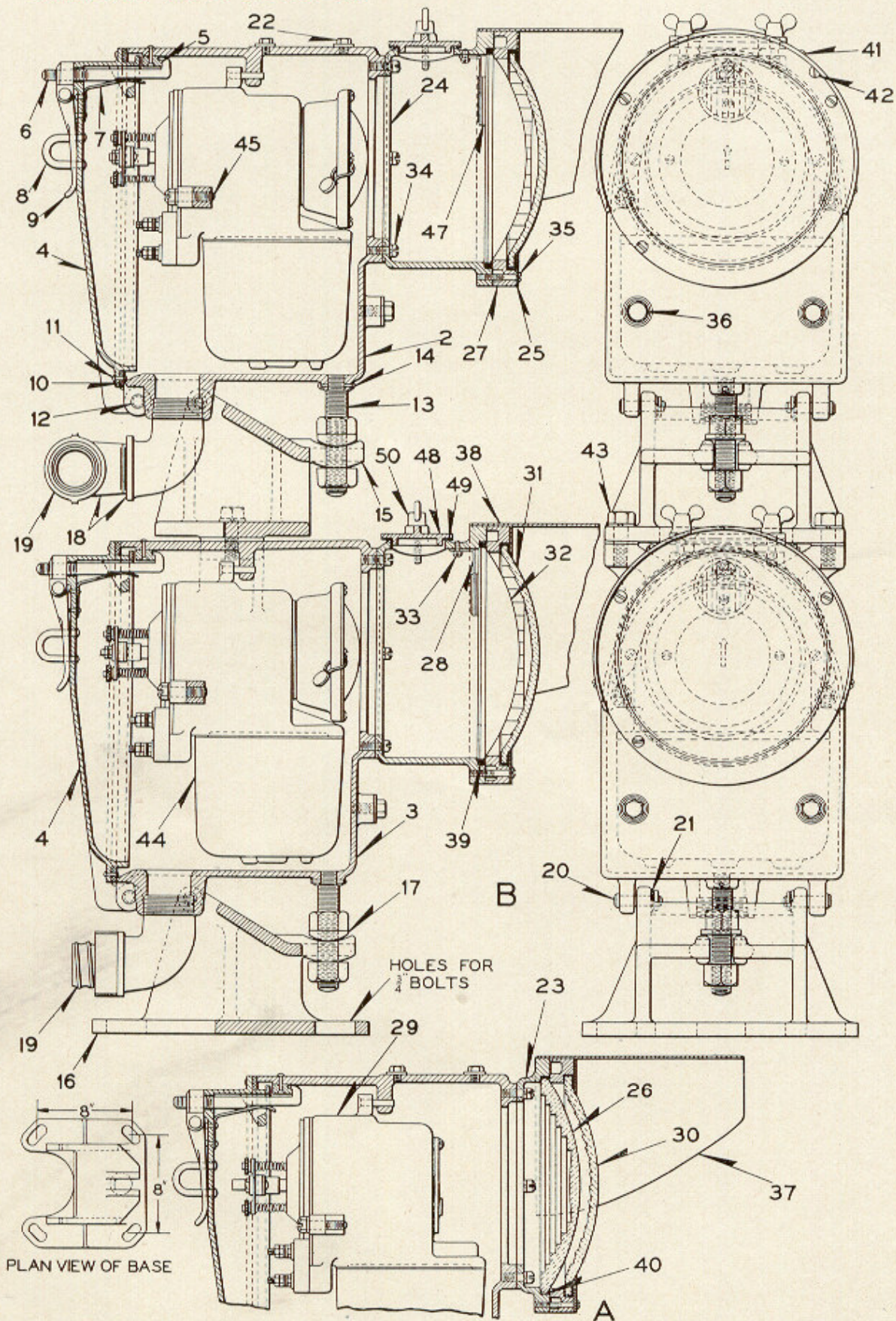


UNION SWITCH & SIGNAL CO.

ZCG UTILITY SCRAP
UNION MO 63084



TWO UNIT STYLE "H" AND "H-2" D. C. SEARCHLIGHT
DWARF SIGNALS

UNION SWITCH & SIGNAL CO.

TWO UNIT STYLE "H" AND "H-2" D. C. SEARCHLIGHT
DWARF SIGNALS

Unless otherwise specified, signals will be furnished with $8\frac{3}{8}$ " lens, and with operating unit for 6 to 8 volts, Reference A, Plate B-2885 for Style "H" signal and Reference A, Plate B-2888 for Style "H-2" signal.

Voltage of lamps must be specified on orders.

Inoperative signal units are shown on Plate B-2892.

If Operating Units without Contacts are desired orders should refer to Plate B-2886 for Style "H" and Plate B-2889 for Style "H-2."

**Order by Plate, Piece, Reference and Abbreviated Description Given in
Heavy Face Type Only**

Piece	Ref.	Description	Drawing Reference
159067	A	Two Unit, 3-Position Style "H" D.C. Searchlight Dwarf Signal with operating Unit in upper and lower units, foundation bolts and lamp Ref. 46	C-9104-5
178439	B	Two Unit, 3-Position Style "H-2" D.C. Searchlight Dwarf Signal with $8\frac{3}{8}$ " Lens (with close up Deflecting Prism) operating units in upper and lower units, foundation bolts and lamps Ref. 46	C-9104-9
144203	2	Upper Case	C-9105-1
158976	3	Lower Case	C-9105-13
144204	4	Door for Refs. 2 and 3	C-9105-2
410521	5	Latch Block Complete with two $\frac{3}{16}$ "x $\frac{3}{4}$ " Rd. Hd. I. Rivets.	
410527	6	Latch Lock.	
410529	7	Latch Spring Complete with two $\frac{1}{8}$ "x $\frac{9}{16}$ " Rd. Hd. I. Rivets.	
410319	8	Staple.	
175081	9	Hasp	9925-30
	10	Packing Gasket, $\frac{1}{4}$ "x $1\frac{1}{2}$ "x3' $3\frac{1}{2}$ " Long.	
	11	Split Brass Rivet, $\frac{1}{8}$ "x $\frac{3}{4}$ ".	
137853	12	Pin, $\frac{7}{16}$ "x $1\frac{5}{8}$ "	B-10211-1
413239	13	Stud	410528
11992	14	Pin, .1875"x $1\frac{13}{32}$ "	8097-92
158996	15	Base	C-9105-14

UNION SWITCH & SIGNAL CO.

TWO UNIT STYLE "H" AND "H-2" D. C. SEARCHLIGHT
DWARF SIGNALS

(Continued)

ZCG UTILITY SCRAP
UNION MO 63084Order by Plate, Piece, Reference and Abbreviated Description Given in
Heavy Face Type Only

Piece	Ref.	Description	Drawing Reference
405049	16	Base.	
146404	17	Washer.....	8065-201
	18	Street Ell, 1½" M. I. Galv.	
	19	Jake Str. Box Connector, 1½" M. I. Galv.	
144627	20	Pin, 7/16" x 1 1/16" with 1/8" x 3/4" S. Cotter (Cad. Pl.).....	B-10212-1
48750	21	Washer.....	7826-117
	22	Tap Bolt, 5/16" -18x1/2" with 5/16" Plate Washer.	
144456	23	Lens Housing for Ref. A.....	C-9105-6
167996	24	Lens Housing for Ref. B.....	C-9105-16
71187	25	Lens Ring.....	7436-106
178811	26	8 3/8" Diam. Lens (Clear) 5" Focus with plain center and gasket Ref. 40.....	B-8276-41
158731	27	Lens Spacing Ring.....	C-9105-12
169684	28	Lens Ring.....	8735-734
	29	Style "H" Searchlight Signal Operating Unit (When ordering refer to Plates B-2885 and B-2886).....	C-9157-
178328	30	Convex Deflecting Clear Cover Glass 8 3/8" diam. with gasket Ref. 40.....	B-8276-54
160521	31	Convex 20° Deflecting Clear Cover Glass 8 3/8" diam. with gasket Ref. 40.....	B-8276-57
169299	32	8 3/8" Diam. Clear Outer Lens.....	B-8276-63
	33	Machine Screw, No. 10-30x1/4" Fil. Hd. S. (Cad. Pl.).	

UNION SWITCH & SIGNAL CO.

TWO UNIT STYLE "H" AND "H-2" D. C. SEARCHLIGHT
DWARF SIGNALS
(Continued)

**ZCG UTILITY SCRAP
UNION MO 63084**

Order by Plate, Piece, Reference and Abbreviated Description Given in
Heavy Face Type Only

Piece	Ref.	Description	Drawing Reference
	34	Machine Screw, $\frac{5}{16}$ "-18x1" Fil. Hd. S. with $\frac{5}{16}$ " Plain S. Lock Washer ($\frac{3}{32}$ "x $\frac{1}{8}$ ").	
	35	Machine Screw, No. 10-30x1 $\frac{3}{8}$ " Rd. Hd. Br.	
	36	Tap Bolt, $\frac{3}{8}$ "-16x $\frac{3}{4}$ " Hex. Hd. S. with $\frac{3}{8}$ " Plate Washers.	
163434	37	Hood for Ref. A.....	C-8842-15
65898	38	Hood for Ref. B.....	C-8842-15
131706	39	Gasket.....	8078-1367
	40	Lamp Wicking, $\frac{1}{16}$ "x1"x2' 6" Long.	
	41	Machine Screw, No. 10-30x $\frac{1}{4}$ " Rd. Hd. S. (Cad. Pl.).	
	42	Machine Screw, No. 14-24x $\frac{3}{8}$ " Rd. Hd. Br.	
	43	Tap Bolt, $\frac{1}{2}$ "-13x1 $\frac{1}{2}$ " Hex. Hd. S. with $\frac{1}{2}$ " Plain S. Lock Washer ($\frac{3}{16}$ "x $\frac{3}{32}$ ").	
	44	Style "H-2" Searchlight Signal Operating Unit (When ordering refer to Plates B-2888 and B-2889).	C-9157-
	44a	Inoperative Unit (When this unit is used in place of operating unit refer to Plate B-2892 for ordering references).....	C-9158-8
65018	45	Screw, $\frac{5}{16}$ "-18x1 $\frac{3}{8}$ " with $\frac{5}{16}$ " Plain S. Lock Washer ($\frac{1}{8}$ "x $\frac{3}{32}$ ").	8190-312
	46	Lamp (Not shown) When ordering refer to Plate B-2885.....	B-12409-
143512	47	2 $\frac{5}{16}$ " Diam. Clear Light Deflecting Prism.....	B-8276-33
180915	48	Cover.....	C-9105-16

UNION SWITCH & SIGNAL CO.

TWO UNIT STYLE "H" AND "H-2" D. C. SEARCHLIGHT
DWARF SIGNALS
(Continued)

Order by Plate, Piece, Reference and Abbreviated Description Given in
Heavy Face Type Only

Piece	Ref.	Description	Drawing Reference
180927	49	Gasket, for Ref. 48.....	8078-1503
116722	50	Thumb Screw, for attaching Ref. 48 to Case.....	8331-49
10478	51	Foundation Bolt, $\frac{3}{4}$ "x18" with $\frac{3}{4}$ " Hex. Nut and $\frac{3}{4}$ " Plate Washer (Not shown).....	7913-44

ZCG UTILITY SCRAP
UNION MO 63084