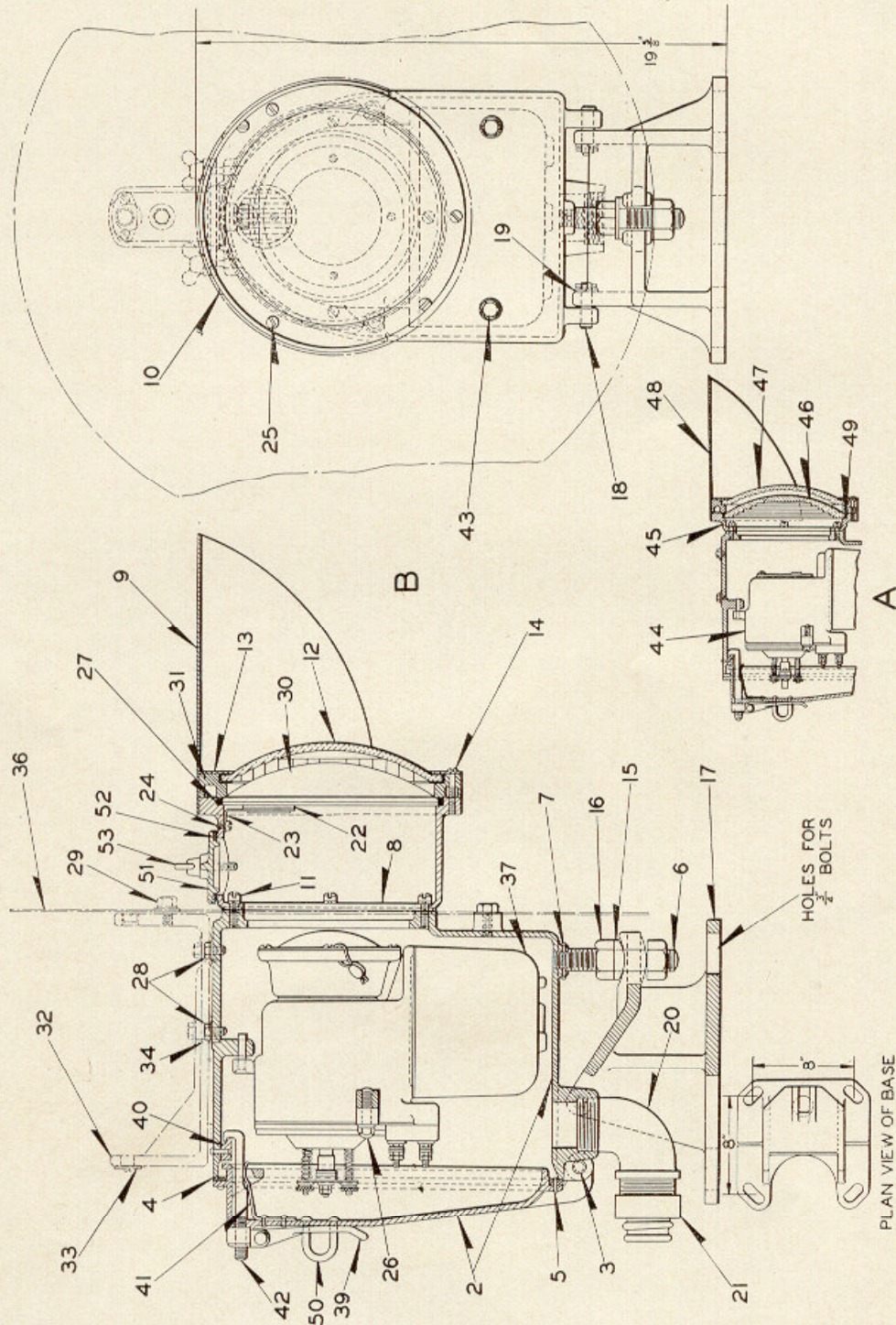


UNION SWITCH & SIGNAL CO.



ONE UNIT STYLES "H" AND "H-2" D. C. SEARCHLIGHT DWARF SIGNALS

PLAN VIEW OF BASE

ZCG UTILITY SCRAP
UNION MO 63084

**ZCG UTILITY SCRAP
UNION MO 63084**

UNION SWITCH & SIGNAL CO.

**ONE UNIT STYLES "H" AND "H-2" D. C. SEARCHLIGHT
DWARF SIGNALS**

Unless otherwise specified signals will be furnished with 8 3/8" lens and with operating unit for 6 to 8 volts, Ref. A, Plate B-2885 for Style "H" Signal and Reference A, Plate B-2888 for Style "H-2" signal.

Voltage of lamps must be specified on orders.

If Sight Bracket and Background are desired, orders should so state.

If Operating Units without Contacts are desired orders should refer to Plate B-2886 for Style "H" and Plate B-2889 for Style "H-2."

**Order by Plate, Piece, Reference and Abbreviated Description Given in
Heavy Face Type Only**

Piece	Ref.	Description	Drawing Reference
151852	A	One Unit, 3-Position Style "H" D.C. Searchlight Dwarf Signal with Foundation Bolts, Lamp Ref. 38, and operating unit.....	C-9104-4
171645	B	One Unit, 3-Position Style "H-2" D.C. Searchlight Dwarf Signal (With close up deflecting prism) with foundation bolts, lamp Ref. 38, and operating unit (When ordering operating unit refer to Plates B-2888 and B-2889).....	C-9104-8
178395	Ba	One Unit, 3-Position Style "H-2" D.C. Searchlight Dwarf Signal (With close up deflecting prism; sighting bracket and 24" background as shown in dot and dash lines) with foundation bolts, lamp Ref. 38 and operating unit (When ordering operating unit refer to Plates B-2888 and B-2889).....	C-9104-8
144202	2	Case and Door Complete with Latch (Inc. 1-2a, 1-2b, 1-40, 1-41, 1-42, 1-39, 1-4, 14-5, 2-3, 1-6, 1-7 and 1-50).....	C-9104-1
144203	2a	Case only, for Ref. 2.....	C-9105-1
144204	2b	Door only, for Ref. 2.....	C-9105-2
137853	3	Pin, 7/16" x 1 5/8".....	B-10211-1
	4	Packing Gasket, 1/4" x 1/2" x 3' 3 1/2".	
	5	Rivet, 1/8" x 3/4" Split Br.	
410528	6	Stud.	
11992	7	Pin, .1875" x 1 13/32".....	8097-92
167996	8	Lens Housing.....	C-9105-16
65898	9	Hood for Ref. B.....	C-8842-15

UNION SWITCH & SIGNAL CO.

ONE UNIT STYLES "H" AND "H-2" D. C. SEARCHLIGHT
DWARF SIGNALS
(Continued)

ZCG UTILITY SCRAP
UNION MO 63084

Order by Plate, Piece, Reference and Abbreviated Description Given in
Heavy Face Type Only

Piece	Ref.	Description	Drawing Reference
	10	Machine Screw, No. 10-30x1 $\frac{1}{4}$ " Rd. Hd. S. (Cad. Pl.).	
	11	Machine Screw, $\frac{5}{16}$ "-18x1" Fil. Hd. S. with $\frac{5}{16}$ " Plain S. Lock Washer ($\frac{3}{32}$ "x $\frac{1}{8}$ ") Cad. Pl.	
160521	12	Clear Deflecting Cover Glass, 8 $\frac{3}{8}$ " Diam.....	B-8276-57
71187	13	Lens Ring.....	7436-106
	14	Machine Screw, No. 10-30x1 $\frac{3}{8}$ " Rd. Hd. Br.	
146404	15	Washer.....	8065-201
	16	Hex. Nut, $\frac{3}{4}$ " (Cad. Pl.).	
405049	17	Base.	
144627	18	Pin, $\frac{7}{16}$ "x1 $\frac{11}{16}$ " with $\frac{1}{8}$ "x $\frac{3}{4}$ " S. Cotter.....	B-10212-1
48750	19	Washer.....	7826-117
	20	1 $\frac{1}{2}$ " Street Ell (Galv.).	
	21	Jake Str. Box Connector, 1 $\frac{1}{2}$ " M. I. Galv.	
143512	22	2 $\frac{5}{16}$ " Diam. Clear Light Deflecting Prism.....	B-8276-33
169684	23	Lens Ring for Ref. 22.....	8735-734
	24	Machine Screw, No. 10-30x1 $\frac{1}{4}$ " Fil. Hd. S. (Cad. Pl.).	
	25	Machine Screw, No. 14-24x $\frac{3}{8}$ " Rd. Hd. Br.	
65018	26	Screw, $\frac{5}{16}$ "-18x1 $\frac{3}{8}$ " with $\frac{5}{16}$ " Plain S. Lock Washer ($\frac{1}{8}$ "x $\frac{3}{32}$ ") Cad. Pl. for attaching Operating Unit to Case.....	8190-312
131706	27	Gasket.....	8078-1367

UNION SWITCH & SIGNAL CO.

ONE UNIT STYLES "H" AND "H-2" D. C. SEARCHLIGHT
DWARF SIGNALS
(Continued)

ZCG UTILITY SCRAP
UNION MO 63084

Order by Plate, Piece, Reference and Abbreviated Description Given in
Heavy Face Type Only

Piece	Ref.	Description	Drawing Reference
	28	Tap Bolt, $\frac{5}{16}$ "-18x $\frac{1}{2}$ " Hex. Hd. S. with $\frac{5}{16}$ " Plate Washer (Cad. Pl.).	
	29	Tap Bolt, $\frac{3}{8}$ "-16x $\frac{3}{4}$ " Hex. Hd. S. with two $\frac{3}{8}$ " Plate Washers and one $\frac{3}{8}$ " Plain S. Lock Washer ($\frac{5}{32}$ " x $\frac{1}{16}$ ") Cad. Pl.	
169299	30	Clear Lens, 8 $\frac{3}{8}$ " diam.....	B-8276-63
158731	31	Lens Spacing Ring.....	C-9105-12
152843	32	Sight Bracket.....	C-9105-11
	33	Escutcheon Pin, No. 16x $\frac{3}{8}$ ".	
38851	34	Pin, .1285"x $\frac{7}{8}$ ".....	8097-423
10478	35	Foundation Bolt, $\frac{3}{4}$ "x18" with $\frac{3}{4}$ " Hex. Nut and $\frac{3}{4}$ " Plate Washer (Not shown).....	7913-44
178396	36	Background (24" diam.).....	C-9105-17
	37	Style "H-2" Searchlight Signal Operating Unit (When ordering refer to Plates B-2888 and B-2889)	C-9157-
	38	Lamp (Not shown) When ordering refer to Plate B-2885.....	B-12409-
175081	39	Hasp Complete with Latch Nut and Rivet.....	9925-30
410521	40	Latch Block Complete with two Rivets $\frac{3}{16}$ "x $\frac{3}{4}$ " Rd. Hd. I.	
410529	41	Latch Spring Complete with two Rivets $\frac{1}{8}$ "x $\frac{9}{16}$ " Rd. Hd. I.	
410527	42	Latch Lock.	
	43	Tap Bolt, $\frac{3}{8}$ "-16x $\frac{3}{4}$ " with $\frac{3}{8}$ " Plate Washer.	

UNION SWITCH & SIGNAL CO.

ONE UNIT STYLES "H" AND "H-2" D. C. SEARCHLIGHT
DWARF SIGNALS

(Continued)

Order by Plate, Piece, Reference and Abbreviated Description Given in
Heavy Face Type Only

Piece	Ref.	Description	Drawing Reference
	44	Style "H" Searchlight Signal Operating Unit (When ordering refer to Plates B-2885 and B-2886).....	C-9157-
144456	45	Lens Housing for Ref. A.....	C-9105-6
178811	46	Lens (Clear) 8 ³ / ₈ " diam. with Gasket Ref. 49.....	B-8276-41
178328	47	Convex Deflecting Clear Cover Glass, 8 ³ / ₈ " Diam. with Gasket Ref. 49.....	B-8276-54
163434	48	Hood for Ref. A.....	C-8842-15
	49	Lamp Wicking, ¹ / ₁₆ "x1"x2' 6" Long.	
410319	50	Staple.	
180915	51	Cover.....	C-9105-16
180927	52	Gasket for Ref. 51.....	8078-1503
116722	53	Thumb Screw, for attaching Ref. 51 to Case.....	8331-49

**ZCG UTILITY SCRAP
UNION MO 63084**