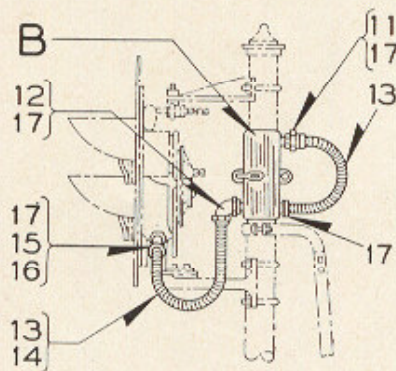
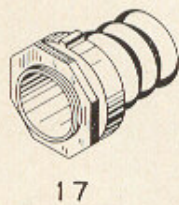
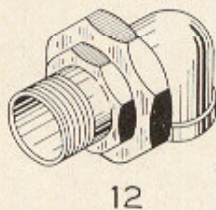
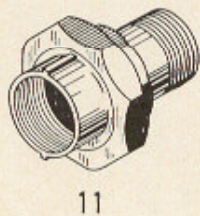
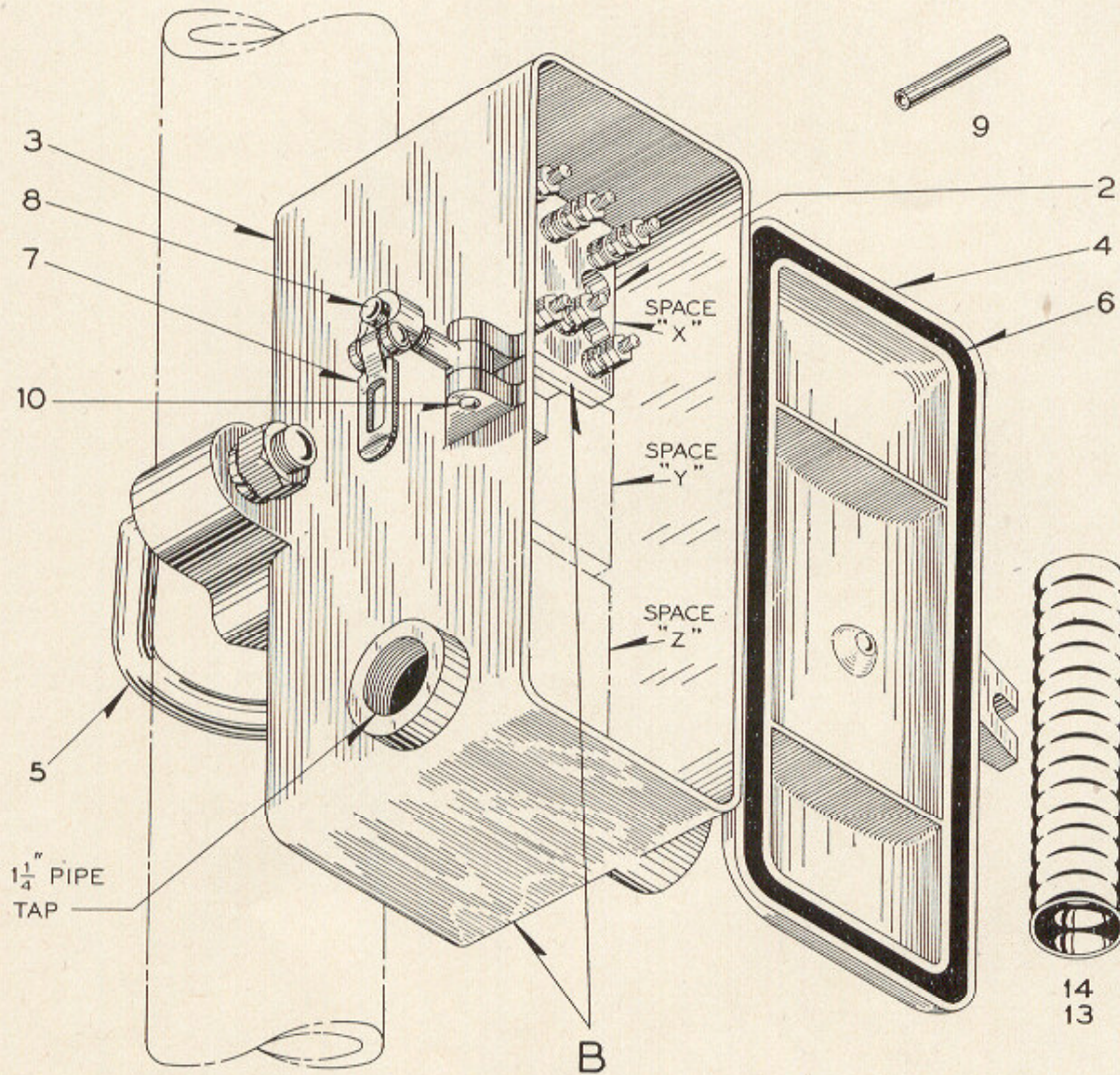


ZCG UTILITY SCRAP UNION MO 63084



Transformer Box for Color Light Signals

Transformer Box for Color Light Signals

ZCG UTILITY SCRAP UNION MO 63084

Order by Plate, Piece, Reference and Abbreviated
Description Given in Heavy Face Type Only

Piece	Ref.	Description	Drawing Reference	
	A	Transformer Box , Ref..... Plate B-2590 with U-Bolt, Ref....., Conduit Refs..... and....., and Fittings. (Orders should specify the following: Box (Refs. B to Bb), U-Bolt (Refs. 5 to 5b) and Conduit (Refs. 13 and 14).....	B-10325-	
Transformer Box with..... Transformers. (Orders should specify voltage and frequency of Transformers).				
Piece	Ref.	Transformers in Spaces	Remarks	Drawing Reference
	B	"X"		C-7540-10
	Ba	"X" and "Y"		C-7540-10
	Bb	"X", "Y" and "Z"		C-7540-10
Piece	Ref.	Description	Drawing Reference	
	2	Transformer (Orders should specify Voltage and Frequency desired).....	C-8605-5	
127539	3	Transformer Box Complete without Transformer and U-Bolt (Inc. 1-3a, 1-5, 1-7, 1-8, 2-9 and 1-10)	C-7540-10	
127538	3a	Box Only , for Ref. 3.....	C-8614-6	
127537	4	Door with Gasket Ref. 6.....	C-8614-5	
163538	5	U-Bolt, 3/4" , with Hex. Nuts (Cad. Pl.) and 3/4" Pl. S. Lock Washers (3/16" x 3/16") (Cad. Pl.) for attaching Transformer Box to 4" Pipe.....	8782-188	
95838	5a	U-Bolt, 3/4" , with Hex. Nuts (Cad. Pl.) and 3/4" Pl. S. Lock Washers (3/16" x 3/16") (Cad. Pl.) for attaching Transformer Box to 5" Pipe or Casing.....	8782-159	

Transformer Box for Color Light Signals

(Continued) **ZCG UTILITY SCRAP
UNION MO 63084**

Order by Plate, Piece, Reference and Abbreviated
Description Given in Heavy Face Type Only

Piece	Ref.	Description	Drawing Reference
	5b	U-Bolt, $\frac{3}{4}$ " , with Hex. Nuts (Cad. Pl.) and $\frac{3}{4}$ " Pl. S. Lock Washers ($\frac{3}{16}$ " x $\frac{3}{16}$ ") (Cad. Pl.) for attaching Transformer Box to 6" Pipe.....	8782-
	6	Gasket, $\frac{3}{8}$ " x $\frac{3}{8}$ " x 3'-2 $\frac{1}{2}$ " long, Flax Packing.	
72832	7	Hasp Complete.....	8299-66
64973	8	Eye Bolt.....	8034-64
50679	9	Pin, $\frac{3}{8}$ " x 2 $\frac{1}{2}$ " for attaching Door to Case.....	B-10207-1
37075	10	Pin, $\frac{3}{8}$ " x 1 $\frac{7}{8}$ " for attaching Eye Bolt to Case.....	B-10207-1
	11	Union, 1 $\frac{1}{4}$ " M.I. Galv. Male and Female.	
	12	Union Ell, 1 $\frac{1}{4}$ " M.I. Galv. Male.	
	13	Conduit, 1 $\frac{1}{4}$ " Galv. Single Strip Flex. S. 1 $\frac{1}{4}$ " I.D. x 1.665" O.D., 2'-0" long. For wires going from Box to Pole and from Box to Signal Unit when Box is mounted below the top of the ladder.	
	14	Conduit, 1 $\frac{1}{4}$ " Galv. Single Strip Flex. S. 1 $\frac{1}{4}$ " I.D. x 1.665" O.D., 2'8" long. For wires going from Box to Signal Unit when Box is mounted above top of ladder as shown or when Box is mounted on back of Pipe Post.	
	15	Street Ell, 1 $\frac{1}{4}$ " 45° Std. (Galv.).	
	16	Reducing Bushing, 2" to 1 $\frac{1}{4}$ " (Galv.)	
	17	Straight Box Connector, 1 $\frac{1}{4}$ " M.I. Galv. for Refs. 13 and 14.	