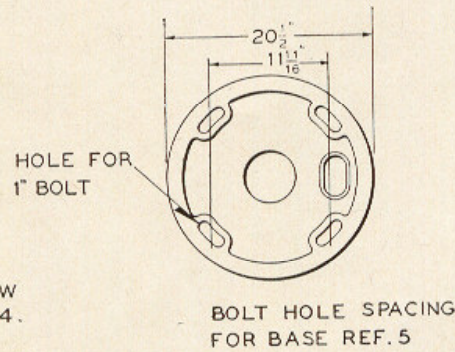
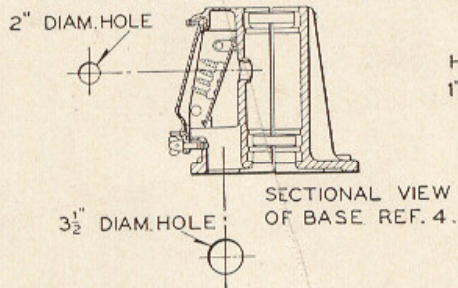
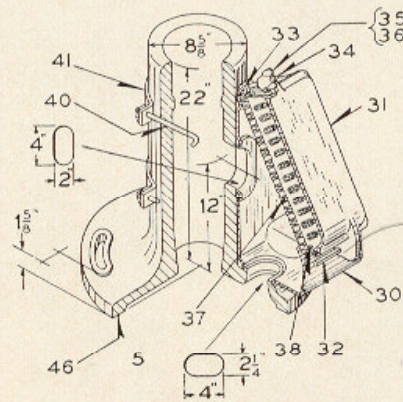
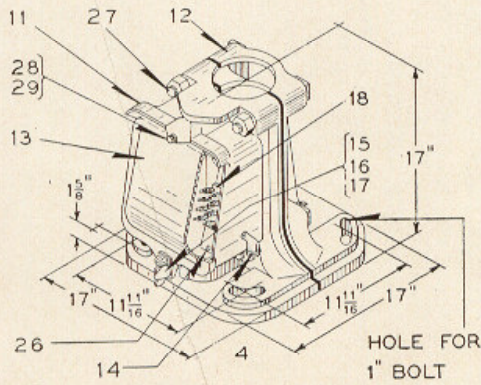
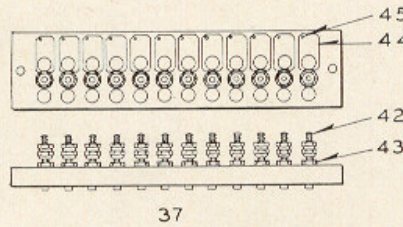
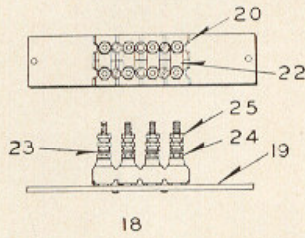
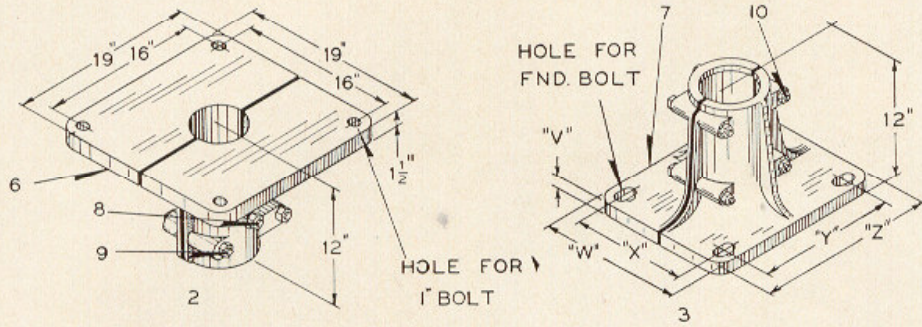


# ZCG UTILITY SCRAP UNION MO 63084



## Bases (Clamp and Leaded) for Signals

**Clamp and Leaded Bases for Signals**  
**Combined Base and Junction Box for 4" Pipe Post**  
**Will Be Found on Plate K-152**

**ZCG UTILITY SCRAP**  
**UNION MO 63084**

Order by Plate, Piece, Reference and Abbreviated  
Description Given in Heavy Face Type Only

Piece	Ref.	Description	Drawing Reference
170595	2	<b>Clamp Base Complete</b> for 5" Pipe ( $5\frac{9}{16}$ " O.D.) For Bridge Mounting.....	C-6425-3
85029	3	<b>Clamp Base with holes</b> for 1" Foundation Bolts, Complete for 5" Pipe ( $5\frac{9}{16}$ " O.D.) For Ground and Bridge Mounting (Dimensions: V-1 $\frac{1}{4}$ ", W-14 $\frac{3}{4}$ ", X-11 $\frac{3}{4}$ ", Y-12 $\frac{7}{8}$ " and Z-17").....	C-6634-5
136947	3a	<b>Clamp Base with holes</b> for $\frac{3}{4}$ " Foundation Bolts, Complete for 4" Pipe. For Ground Mounting (Dimensions: V-1", W-12", X-9 $\frac{1}{2}$ ", Y-9 $\frac{1}{2}$ ", and Z-12") Suitable for One or Two Unit Signals only	C-6634-7
108573	4	<b>Clamp Base with Junction Box and Two 4-Way Terminal Boards</b> for 5" Pipe ( $5\frac{9}{16}$ " O.D.) For Ground Mounting.....	C-6634-25
217199	4a	<b>Clamp Base with Junction Box and One 6-Way Terminal Board</b> for 5" Pipe ( $5\frac{9}{16}$ " O.D.) For Ground Mounting.....	C-6634-25
214857	4b	<b>Clamp Base with Two Junction Boxes and Four 4-Way Terminal Boards</b> for 5" Pipe ( $5\frac{9}{16}$ " O.D.) For Ground Mounting.....	C-6634-24
	5	<b>Leaded Base and Junction Box</b> for 5" Pipe ( $5\frac{9}{16}$ " O.D.) With One 12-Way Terminal Board (Inc. 1-30, 1-31, 1-32, 1-33, 1-34, 1-35, 1-36, 1-37, 2-38, 2-39, 4-40, 2-41 and 1-46).....	C-9180-37
	5a	<b>Leaded Base and Junction Box</b> for 6" Pipe. With One 12-Way Terminal Board (Inc. 1-30, 1-31, 1-32, 1-33, 1-34, 1-35, 1-36, 1-37, 2-38, 2-39, 4-40, 2-41 and 1-46a).....	C-9180-37
212958	5b	<b>Junction Box with One Terminal Board</b> (Without Base, Terminal Posts, Nuts, Washers, Tags, Hook Bolts and Clamps) (Inc. 1-30, 1-31, 1-32, 1-33, 1-34, 1-35, 1-36, 1-37a, 2-38 and 2-39).....	C-9180-37
	5c	<b>Leaded Base and Junction Box</b> for 5" Pipe ( $5\frac{9}{16}$ " O.D.) With Two 12-Way Terminal Boards (Inc. 1-30, 1-31, 1-32, 1-33, 1-34, 1-35, 1-36, 2-37, 4-38, 2-39, 4-40, 2-41 and 1-46).....	C-9180-37

**Clamp and Leaded Bases for Signals**  
**Combined Base and Junction Box for 4" Pipe Post**  
**Will Be Found on Plate K-152**

(Continued)

**ZCG UTILITY SCRAP**  
**UNION MO 63084**

Order by Plate, Piece, Reference and Abbreviated  
 Description Given in Heavy Face Type Only

Piece	Ref.	Description	Drawing Reference
104478	5d	<b>Leaded Base and Junction Box for 6" Pipe. With Two 12-Way Terminal Boards (Inc. 1-30, 1-31, 1-32, 1-33, 1-34, 1-35, 1-36, 2-37, 4-38, 2-39, 4-40, 2-41 and 1-46a) . . . . .</b>	C-9180-37
	5e	<b>Junction Box with Two Terminal Boards (Without Base, Terminal Posts, Nuts, Washers, Tags, Hook Bolts and Clamps) (Inc. 1-30, 1-31, 1-32, 1-33, 1-34, 1-35, 1-36, 2-37a, 4-38 and 2-39) . . . . .</b>	C-9180-37
	5f	<b>Leaded Base and Junction Box for 5" Pipe (5<sup>9</sup>/<sub>16</sub>" O.D.) With Three 12-Way Terminal Boards (Inc. 1-30, 1-31, 1-32, 1-33, 1-34, 1-35, 1-36, 3-37, 6-38, 2-39, 4-40, 2-41 and 1-46) . . . . .</b>	C-9180-37
104290	5g	<b>Leaded Base and Junction Box for 6" Pipe. With Three 12-Way Terminal Boards (Inc. 1-30, 1-31, 1-32, 1-33, 1-34, 1-35, 1-36, 3-37, 6-38, 2-39, 4-40, 2-41 and 1-46a) . . . . .</b>	C-9180-37
	5h	<b>Junction Box with Three Terminal Boards (Without Base, Terminal Posts, Nuts, Washers, Tags, Hook Bolts and Clamps) (Inc. 1-30, 1-31, 1-32, 1-33, 1-34, 1-35, 1-36, 3-37a, 6-38 and 2-39) . . . . .</b>	C-9180-37
60096	6	<b>Half Socket for Ref. 2 (Pat. No. 23336) . . . . .</b>	C-6425-3
10722	7	<b>Half Socket for Ref. 3 (Pat. No. T-2790C) . . . . .</b>	C-6634-5
136946	7a	<b>Half Socket for Ref. 3a (Pat. No. T-136946A) . . . . .</b>	C-6634-7
	8	<b>Bolt, 5/8"x8 3/4" Sq. Hd. S. with 5/8" Hex. Nut.</b>	
	9	<b>Bolt, 3/4"x7" Sq. Hd. S. with 3/4" Hex. Nut.</b>	
	10	<b>Bolt, 3/4"x6 1/2" Sq. Hd. S. with 3/4" Hex. Nut for Ref. 3.</b>	
	10a	<b>Bolt, 3/4"x6 1/4" Sq. Hd. S. with 3/4" Hex. Nut for Ref. 3a.</b>	
214856	11	<b>Half Base with Junction Box (Pat. No. 214856) for Refs. 4, 4a and 4b (Without Terminal Boards, Cover and Ventilators) . . . . .</b>	C-6634-23
216166	11a	<b>Half Base with Junction Box and Cover (Without Terminal Boards and Ventilators) . . . . .</b>	C-6634-25

**Clamp and Leaded Bases for Signals**  
**Combined Base and Junction Box for 4" Pipe Post**  
**Will Be Found on Plate K-152**

**ZCG UTILITY SCRAP**  
**UNION MO 63084** (Continued)

Order by Plate, Piece, Reference and Abbreviated  
 Description Given in Heavy Face Type Only

Piece	Ref.	Description	Drawing Reference
107059	12	Half Base for Refs. 4 and 4a (Pat. No. 107059) . . . .	C-6634-19
	13	Cover with Gasket Ref. 13a . . . . .	C-6634-21
	13a	Gasket, $\frac{3}{8}$ " Sq. Packing 3'-2 $\frac{1}{2}$ " long.	
70109	14	Ventilator Complete . . . . .	7318-57
107065	15	Wing Nut Complete . . . . .	8331-83
7309	16	Washer . . . . .	7826-12
	17	Cotter, $\frac{1}{8}$ "x $\frac{1}{8}$ " S. (Tin Pl.).	
107474	18	Terminal Board Complete, 4-Way (Includes Terminal Blocks, Mounting Plate, Nuts, Washers and Connectors) (Inc. 1-19, 2-20, 4-21, 4-22, 24-23, 8-24 and 16-25) . . . . .	C-6634-22
108439	18a	Terminal Board Complete, 6-Way (Includes Terminal Blocks, Mounting Plate, Nuts, Washers and Connectors) (Inc. 1-19, 2-20a, 4-21, 6-22, 36-23, 12-24 and 24-25) . . . . .	C-6634-22
107473	19	Mounting Plate Only, for Refs. 18 and 18a . . . . .	C-6634-22
107471	20	Terminal Block with Terminal Posts (4-Way) (Without Nuts and Washers) . . . . .	9968-1255
107203	20a	Terminal Block with Terminal Posts (6-Way) (Without Nuts and Washers) . . . . .	9968-1255
	21	Machine Screw, No. 14-24x $\frac{5}{8}$ " Fil. Hd. S. (Tin Pl.) for attaching Terminal Block to Mounting Plate. (Not shown).	
47290	22	Terminal Connector . . . . .	8064-305
29102	23	Washer for Terminal Post . . . . .	7828-139
127260	24	Nut (Flat Hex.) for Terminal Post . . . . .	8109-194
29101	25	Nut for Terminal Post . . . . .	8109-193
	26	Machine Screw, No. 14-24x $\frac{5}{8}$ " Fil. Hd. S. (Tin Pl.) with $\frac{1}{4}$ " Pl. S. Lock Washer ( $\frac{3}{32}$ "x $\frac{1}{16}$ " (Tin Pl.) for attaching Ref. 18 or 18a to Ref. 11.	

# Clamp and Leaded Bases for Signals

## Combined Base and Junction Box for 4" Pipe Post Will Be Found on Plate K-152

ZCG UTILITY SCRAP  
UNION MO 63084

(Continued)

Order by Plate, Piece, Reference and Abbreviated  
Description Given in Heavy Face Type Only

Piece	Ref.	Description	Drawing Reference
	27	<b>Bolt, 1"-8x7½" Sq. Hd. S. (Cad. Pl.) with 1" Hex. Nut (Cad. Pl.)</b>	
	28	<b>Tap Bolt, ¾"x7/8" Hex. Hd. (Cad. Pl.)</b>	
62222	*29	<b>Washer (.0375")</b> .....	7826-180
33010	*29a	<b>Washer (.0625")</b> .....	7826-89
		*Use as required to obtain desired compression.	
	30	<b>Box with Gasket Ref. 30a</b> .....	C-9181-55
	30a	<b>Gasket, Jute Packing, ½" Sq. x 14½" long.</b>	
	31	<b>Cover with Gasket Ref. 31a</b> .....	C-9181-56
	31a	<b>Gasket, Jute Packing, ¾" Sq. x 4'-2⅝" long.</b>	
134534	32	<b>Hinge Pin</b> .....	B-10213-1
177457	33	<b>Pin</b> .....	B-10213-1
104404	34	<b>Eye Bolt</b> .....	8034-233
210979	35	<b>Wing Nut</b> .....	8331-72
	36	<b>Rivet, ⅜"x5/8" Rd. Hd. I.</b>	
	37	<b>Terminal Board Complete (Inc. 1-37a, 12-42, 12-44 and 12-45)</b> .....	B-10364-106
104296	37a	<b>Terminal Board Only</b> .....	B-10364-106
	38	<b>Machine Screw, No. 14-24x1¼" Fil. Hd. Bz. (N.P.) with ⅜" S. Plate Washer (Tin Pl.) and ¼" Pl. S. Lock Washer (⅜"x⅛") (Tin Pl.) For attaching Ref. 37 to Ref. 30.</b>	
	39	<b>1" C.I. Pipe Plug (Not shown).</b>	
104873	40	<b>Hook Bolt with ¾" Hex. Nut (Cad. Pl.)</b> .....	7913-390
104294	41	<b>Clamp</b> .....	10914-944

**Clamp and Leaded Bases for Signals**  
**Combined Base and Junction Box for 4" Pipe Post**  
**Will Be Found on Plate K-152**

(Continued)

Order by Plate, Piece, Reference and Abbreviated  
 Description Given in Heavy Face Type Only

Piece	Ref.	Description	Drawing Reference
	42	<b>Terminal Post</b> with Nuts and Washers (Inc. 1-42a, 1-43, 1-23, 2-25 and one $\frac{1}{4}$ " Pl. S. Lock Washer ( $\frac{3}{32}$ " x $\frac{1}{16}$ " (Tin Pl.).....	12451-
130593	42a	<b>Terminal Post Only</b> .....	8094-1192
29103	43	<b>Nut (Flat Hex.)</b> .....	8109-194
104297	44	<b>Tag</b> .....	8988-37
	45	<b>Wood Screw, No. 4x<math>\frac{3}{8}</math>" Rd. Hd. (Tin Pl.)</b> for attaching Ref. 44 to Ref. 37.	
104293	46	<b>Base (Leaded) for 5" Pipe (<math>5\frac{9}{16}</math>" O.D.)</b> For Ground Mounting.....	C-6782-11
106144	46a	<b>Base (Leaded) for 6" Pipe.</b> For Ground Mounting..	C-6782-16

**ZCG UTILITY SCRAP**  
**UNION MO 63084**