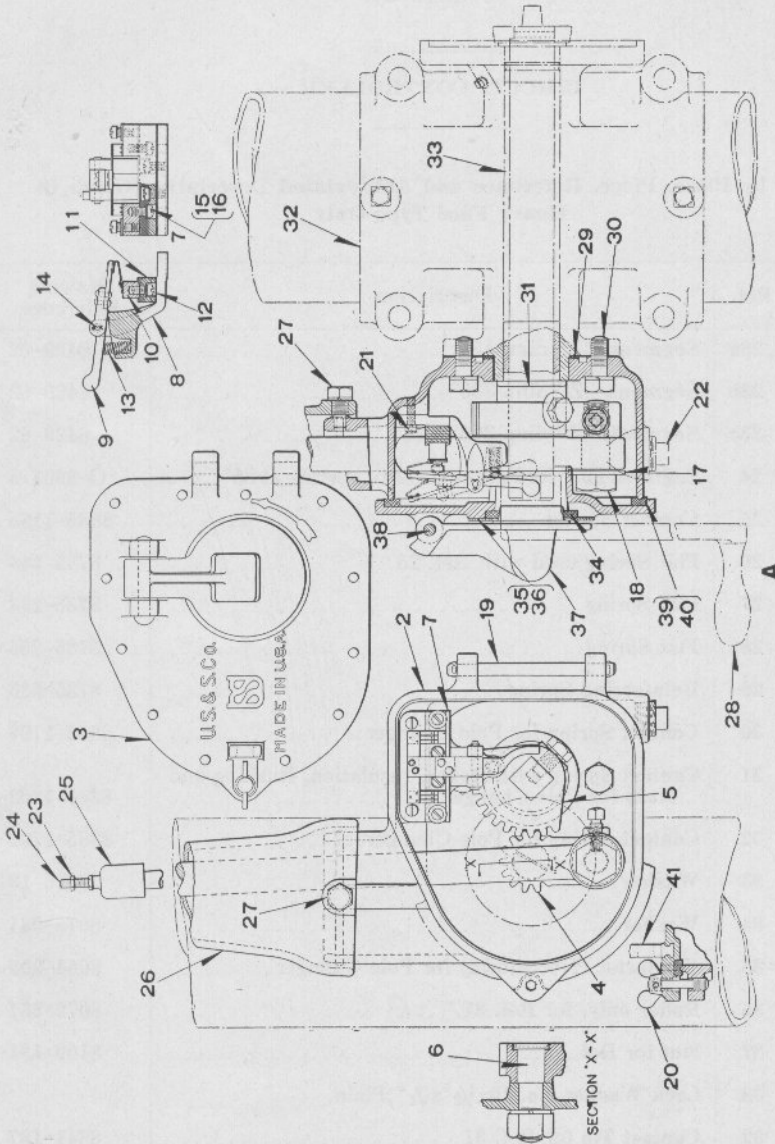


UNION SWITCH & SIGNAL CO.

Zachary C. Gillihan 2008



HAND CRANK OPERATING MECHANISM FOR STYLE
"T-2" SMASHBOARD SIGNAL

UNION SWITCH & SIGNAL CO.

HAND CRANK OPERATING MECHANISM FOR STYLE
"T-2" SMASHBOARD SIGNAL

Zachary C. Gillihan 2008

Order by Plate, Piece, Reference and Abbreviated Description Given in
Heavy Face Type Only

Piece	Ref.	Description	Drawing Reference
164329	A	Hand Crank Mechanism for L.H.U.Q. or L.H.L.Q. "T-2" Smashboard Signal (Without Shaft Ref. 33 and Bearing Ref. 32).....	D-2360-2
159989	2	Hand Crank Mechanism Box only, for Ref. A.....	C-9162-6
160056	3	Box Cover with Retainer Ring, Gaskets, Screws and Rivets for Ref. 2 (Inc. 1-3a, 1-34, 1-35, 6-36, 1-37, 1-38, 1-39 and 12-34).....	C-9162-7
160055	3a	Box Cover only, for Ref. 3.....	C-9162-3
160228	4	Pinion Segment with Set Screw and $\frac{3}{8}$ " Hex. Jam Nut.....	8424-250
	4a	Set Screw, $\frac{3}{8}$ " x 1" with $\frac{3}{8}$ " Hex. Jam Nut for Ref. 4.	
160428	5	Gear Segment with Pivot Screw and $\frac{1}{2}$ " Plain S. Lock Washer ($\frac{3}{16}$ " x $\frac{3}{32}$ ").....	8424-217
142474	5a	Pivot Screw with $\frac{1}{2}$ " Plain S. Lock Washer.....	8378-346
160253	6	Stud with $\frac{3}{4}$ " Hex. Nut and $\frac{3}{4}$ " Plain S. Lock Washer ($\frac{1}{4}$ " x $\frac{1}{8}$ ").....	8301-59
160326	7	Cutout Circuit Controller complete (Inc. 1-8, 1-9, 2-10, 1-11, 1-12, 1-13, 1-14, 4-15 and 4-16).....	C-9162-7
160307	8	Bracket.....	C-9162-7
160318	9	Pawl complete with Contact Springs.....	9121-137
160239	10	Terminal Block.....	8094-2243
160316	11	Insulating Block.....	8750-2360
160314	12	Insulating Strip.....	8750-2362
32323	13	Coil Spring.....	7770-208

UNION SWITCH & SIGNAL CO.

HAND CRANK OPERATING MECHANISM FOR STYLE
"T-2" SMASHBOARD SIGNAL

(Continued)

Zachary C. Gillihan 2008

Order by Plate, Piece, Reference and Abbreviated Description Given in
Heavy Face Type Only

Piece	Ref.	Description	Drawing Reference
160312	14	Pin with $\frac{1}{16}$ "x $\frac{3}{8}$ " S. Cotter.....	8097-541
	15	Machine Screw No. 14-24x $\frac{1}{2}$ " Fil. Hd. Br.	
37764	16	Washer for Ref. 15.....	7828-166
25063	17	Washer for Ref. 18.....	7826-11
160252	18	Bolt.....	8832-135
142413	19	Pin with two $\frac{1}{8}$ "x $\frac{3}{4}$ " S. Cotters.....	B-10209-1
88086	20	Wing Nut.....	8331-28
	21	Machine Screw No. 14-24x $\frac{7}{8}$ " Fil. Hd. S. with $\frac{1}{4}$ " Plain S. Lock Washer ($\frac{1}{8}$ "x $\frac{1}{16}$ "") for fastening Ref. 7 to Ref. 2.	
	22	Pipe Plug, $\frac{3}{4}$ " C. I.	
34048	23	Hex. Nut 1".....	8265-9
160263	24	Connecting Rod.....	B-7722-39
160208	25	Hood.....	C-9162-8
160207	26	Weather Casing.....	C-9162-8
142474	27	Pivot Screw with $\frac{1}{2}$ " Plain S. Lock Washer ($\frac{3}{16}$ "x $\frac{3}{32}$ "").....	8378-346
142406	28	Hand Lever.....	C-9162-1
25705	29	Gasket.....	8078-479
	30	Bolt, $\frac{1}{2}$ "x $1\frac{3}{8}$ " Hex. Hd. S. with $\frac{1}{2}$ " Plain S. Lock Washer ($\frac{3}{16}$ "x $\frac{3}{32}$ "").	
142408	31	Journal.....	8093-101

UNION SWITCH & SIGNAL CO.

HAND CRANK OPERATING MECHANISM FOR STYLE
 "T-2" SMASHBOARD SIGNAL
 (Continued)

Zachary C. Gillihan 2008

Order by Plate, Piece, Reference and Abbreviated Description Given in
 Heavy Face Type Only

Piece	Ref.	Description	Drawing Reference
145821	32	Mechanism Bearing for 6" Pipe.....	C-9162-5
142400	32a	Mechanism Bearing for 5" Pipe.....	C-9162-4
160429	33	Semaphore Shaft.....	8026-589
	34	Black Felt, $\frac{3}{8}$ " x $\frac{3}{8}$ " x $7\frac{7}{8}$ " long for Ref. 37.	
145959	35	Retaining Ring.....	11893-372
	36	Machine Screw No. 10-30 x $\frac{3}{8}$ " Flat Hd. S. for Ref. 35	
142403	37	Crank Operating Cover.....	C-9162-4
	38	Rivet, $\frac{3}{8}$ " x $2\frac{1}{2}$ " Rd. Hd. I. for fastening Ref. 37 to Ref. 3.	
	39	Hemp Packing, $\frac{1}{4}$ " x $\frac{1}{2}$ " x $2' 4"$ long for Ref. 3.	
	40	Rivet, $\frac{9}{64}$ " x $\frac{3}{4}$ " Brass for fastening Ref. 39 to Ref. 3.	
56139	41	Hasp.....	8191-1