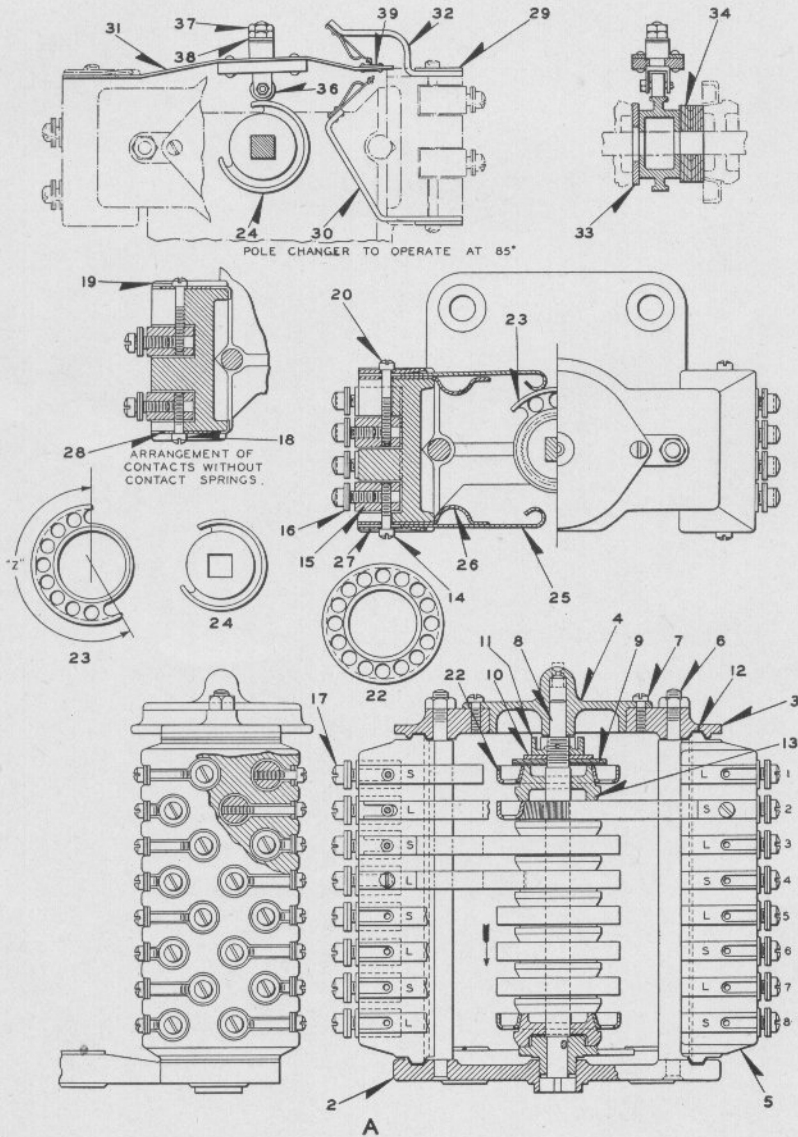


UNION SWITCH & SIGNAL CO.

Zachary C. Gillihan 2008



CIRCUIT CONTROLLER

UNION SWITCH & SIGNAL CO.

STYLE "T-2" D. C. L. V. MECHANISM
DETAIL PARTS

Zachary C. Gillihan 2008

CIRCUIT CONTROLLER

Order by Plate, Piece, Reference and Abbreviated Description Given in Heavy Face Type Only

Circuit Controller Complete										
Contacts and Segments										Drawing Reference
Piece	Ref.	Contact Space on Circuit Controller								
		1	2	3	4	5	6	7	8	
145905	A	Seg. Ref. 22	Seg. Ref. 23a	Seg. Ref. 23	Seg. Ref. 23b	Seg. Ref. 23	Seg. Ref. 23	Seg. Ref. 23	Seg. Ref. 23b	B-11001-8
147685	Aa	Seg. Ref. 23	85° pole changer Seg. Ref. 24	Seg. Ref. 24	Seg. Ref. 23	Seg. Ref. 23	Seg. Ref. 23b	Seg. Ref. 23	Seg. Ref. 23b	B-11001-8
155294	Ab	Seg. Ref. 23	Seg. Ref. 23	Seg. Ref. 23	Seg. Ref. 22	Seg. Ref. 23	Seg. Ref. 23	Seg. Ref. 23	Seg. Ref. 23b	B-11001-8
159505	Ac	Seg. Ref. 22	Seg. Ref. 22	Seg. Ref. 23	Seg. Ref. 23	Seg. Ref. 23	Seg. Ref. 23	Seg. Ref. 23c	Seg. Ref. 23c	B-11001-8
164149	Ad	Seg. Ref. 23	Seg. Ref. 23	Seg. Ref. 23	Seg. Ref. 23	Seg. Ref. 23b	Seg. Ref. 23b	Seg. Ref. 22	Seg. Ref. 23b	B-11001-9
Piece	Ref.	Description								Drawing Reference
42590	2	Back Plate with two Studs Ref. 6 and two Hex. Nuts ..								C-8005-2
44179	3	Front Plate								C-8005-2
44180	4	Front Bearing								C-8005-2
41868	5	Terminal Block Only								9968-223
42582	6	Stud, 1/2"x8-1/16" with 1/2" Hex. Nut for Ref. 2								8115-81

UNION SWITCH & SIGNAL CO.

STYLE "T-2" D. C. L. V. MECHANISM
 DETAIL PARTS

(Continued)

Zachary C. Gillihan 2008

CIRCUIT CONTROLLER

Order by Plate, Piece, Reference and Abbreviated Description Given in
 Heavy Face Type Only

Piece	Ref.	Description	Drawing Reference
	7	Machine Screw No. 10-30x1½" Fil. Hd. S. (Cad. Pl.) for fastening Ref. 4 to Ref. 3.	
74407	8	Shaft with Cam and Pin.....	9956-14
46192	8a	Cam for Ref. 8.....	A-2489-24
44756	8b	Pin for fastening Ref. 8a to Ref. 8.....	8097-403
42585	9	Washer.....	8078-596
42627	10	Washer.....	7826-117
50258	11	Nut with ⅛"x1½" S. Cotter.....	8109-297
117782	12	Gasket.....	8078-1268
42662	13	Insulation.....	8750-1106
	14	Machine Screw No. 10-30x7⁄8" Fil. Hd. S. (Cad. Pl.).	
42586	15	Terminal Post.....	8094-854
29102	16	Washer.....	7828-139
	17	Machine Screw No. 14-24x5⁄8" Fil. Hd. Br. (N. P.).	
	18	Machine Screw No. 10-30x3⁄4" Fil. Hd. Br. (Cad. Pl.)	
	19	Machine Screw No. 10-30x13⁄8" Fil. Hd. S.	
	20	Machine Screw No. 10-30x1½" Fil. Hd. S. (Cad. Pl.).	
56203	21	Washer (For Aligning Segments) (Not Shown).....	8078-962
42673	22	Blank Contact Segment.....	8429-62
52775	23	Segment, "Z" dim. 69°.....	8249-62

UNION SWITCH & SIGNAL CO.

STYLE "T-2" D. C. L. V. MECHANISM
DETAIL PARTS

(Continued)

Zachary C. Gillihan 2008

CIRCUIT CONTROLLER

Order by Plate, Piece, Reference and Abbreviated Description Given in
Heavy Face Type Only

Piece	Ref.	Description	Drawing Reference
52192	23a	Segment, "Z" dim. 45°.....	8429-62
44774	23b	Segment, "Z" dim. 330°.....	8429-62
48417	23c	Segment, "Z" dim. 290°.....	8429-62
69339	24	Segment 265° for Pole changer to operate at 85°.....	C-8003-5
42587	25	Contact Spring.....	8385-1165
45269	26	Flat Spring used with Ref. 25.....	8735-344
42625	27	Flat Spring.....	8735-286
47833	28	Flat Spring.....	8735-356
76137	29	Reinforcing Spring.....	8735-533
76139	30	Contact Spring for Pole Changer.....	8385-1796
76140	31	Contact Spring with Roller, Insulation, Bushing and Nuts for Pole Changer.....	8385-1802
76136	32	Contact Spring for Pole Changer.....	8385-1792
25064	33	Washer.....	7826-13
55140	34	Washer.....	8078-961
47290	35	Connector (Not shown) for Pole Changer.....	8064-305
76128	36	Roller only, for Ref. 31.....	8072-557
26545	37	Nut for Ref. 31.....	8109-181
	38	Lock Washer No. 10x $\frac{1}{8}$ "x $\frac{3}{64}$ " Plain.	
36066	39	Contact Tip for Ref. 31.....	8341-137