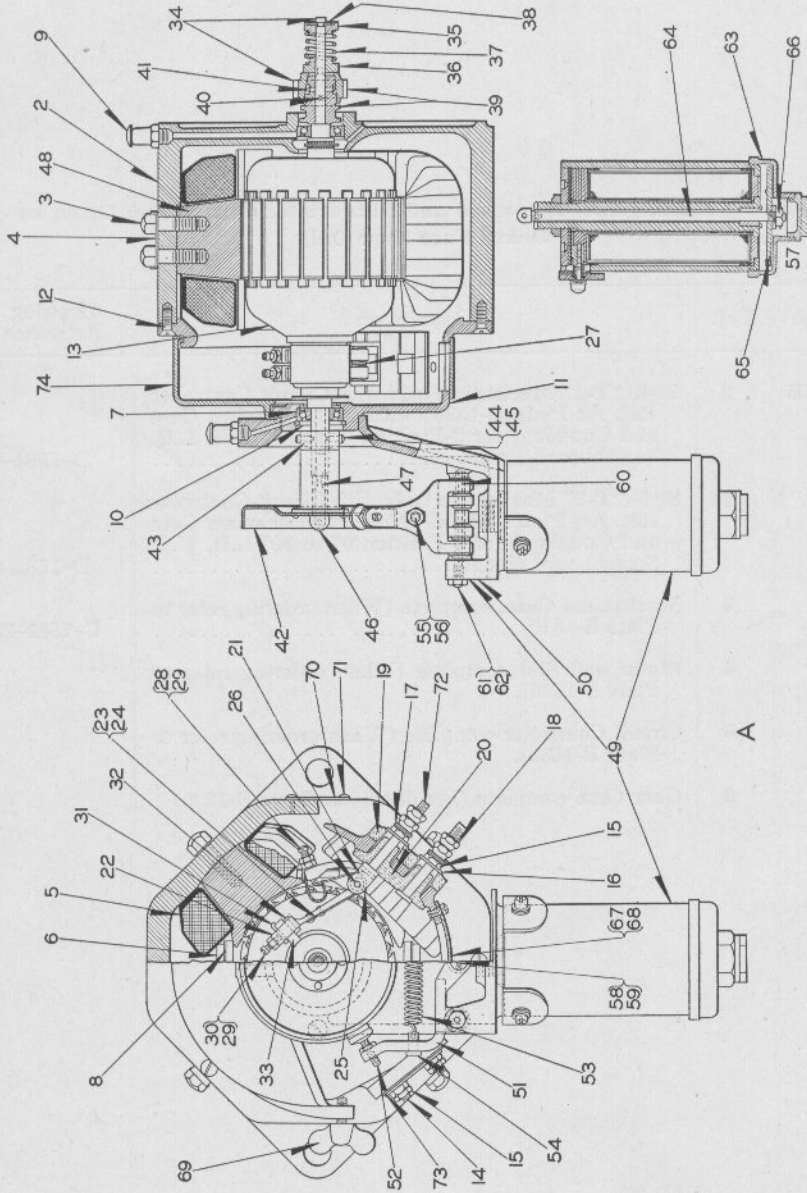


UNION SWITCH & SIGNAL CO.

Zachary C. Gillihan 2008



D. C. L. V. MOTOR (10 VOLTS) WITH SPECIAL SLOT
(DETAIL PARTS)

UNION SWITCH & SIGNAL CO.

D. C. L. V. MOTOR (10 VOLTS) WITH SPECIAL SLOT
(DETAIL PARTS)

Zachary C. Gillihan 2008

Order by Plate, Piece, Reference and Abbreviated Description Given in
Heavy Face Type Only

Piece	Ref.	Description	Drawing Reference
159683	A	D.C. L.V. Motor (10 Volts) with Special Slot for L.Q. L.H. or U.Q. L.H. Style "T-2" Smashboard Signal Mechanism (Power driven to clear and danger positions).....	C-8026-2
73861	2	Motor Field.....	C-8027-11
	3	Cap Screw, 3/8"-16x1 1/8" Hex. Hd. S.	
44603	4	Lock Washer for Ref. 3.....	8486-181
77643	5	Field Coil.....	C-8027-6
125486	6	Filler Pieces.....	8750-2111
	7	Ball Bearing (Spec. 718).	
125487	8	Spring.....	8735-607
	9	No. 4 Style "D" Oil Cup.	
45317	10	Spring.....	8124-119
74344	11	Front Head.....	C-8027-12
	12	Machine Screw No. 14-24x3/4" Flat Hd. S. for fastening Ref. 11 to Ref. 2.	
116556	13	Armature complete.....	C-8027-14
	14	Terminal Post with Nuts (Inc. 1-14a and 2-15)....	12451-
40066	14a	Terminal Post only, for Ref. 14.....	8094-797
29103	15	Nut.....	8109-194
43550	16	Washer.....	7828-180

UNION SWITCH & SIGNAL CO.

D. C. L. V. MOTOR (10 VOLTS) WITH SPECIAL SLOT
 (DETAIL PARTS)
 (Continued)

Zachary C. Gillihan 2008

Order by Plate, Piece, Reference and Abbreviated Description Given in
 Heavy Face Type Only

Piece	Ref.	Description	Drawing Reference
29102	17	Washer.....	7828-139
29101	18	Nut.....	8109-193
43282	19	Insulation.....	8750-1141
43281	20	Insulation.....	8750-1140
43266	21	R. H. Support.....	C-8027-5
43563	22	Brush Holder.....	C-8027-4
73832	23	Flat Spring.....	8735-318
37417	24	Rivet for Ref. 23.....	10301-21
54929	25	Rivet.....	10301-21
43553	26	Pin.....	8097-613
44618	27	Washer.....	7828-184
43554	28	Screw.....	8098-808
28166	29	Nut for Ref. 28 and 30.....	8109-192
43555	30	Screw.....	8098-809
43564	31	Press Plate.....	C-8027-5
43565	32	Press Plate.....	C-8027-5
43560	33	Brush.....	10332-9
159733	34	Main Shaft with Pinion, Cone, Sockets and Spring (Inc. 1-34a, 1-35, 1-36, 1-37 and 1-38).....	C-8027-15
159566	34a	Main Shaft with Pinion and Cone (Inc. 1-34b, 1-39, 1-40 and 1-41).....	C-8027-15

UNION SWITCH & SIGNAL CO.

D. C. L. V. MOTOR (10 VOLTS) WITH SPECIAL SLOT
 (DETAIL PARTS)
 (Continued)

Zachary C. Gillihan 2008

Order by Plate, Piece, Reference and Abbreviated Description Given in
 Heavy Face Type Only

Piece	Ref.	Description	Drawing Reference
159555	34b	Shaft only, for Ref. 34a	C-8027-15
44885	35	Spring Socket	8084-48
44888	36	Spring Socket	8084-46
44887	37	Coil Spring	7770-260
44883	38	Key	C-8027-7
80328	39	Pinion and Cone only for Ref. 34a	C-8027-10
40002	40	Pin	8097-474
36833	41	Pin	8097-279
159567	42	Brake Wheel	11045-15
159563	43	Coupling Sleeve	8072-561
44252	44	Pin for Ref. 45	8097-511
43893	45	Set Screw	8098-822
43899	46	Oil Cap	C-8027-7
43892	47	Key for fastening Ref. 42 to Shaft	9673-25
43562	48	Pole Piece	C-8027-4
159682	49	Holding Slot complete (Inc. 1-50, 1-51, 2-52, 1-53, 1-54, 1-55, 1-56, 1-57, 1-58, 4-59, 1-60, 1-61, 1-62, 1-63, 1-64, 1-65 and 1-66)	C-8127-4
158968	50	Brake Support	C-8027-16
158940	51	Locking Pawl L. H.	C-8027-15
159544	51a	Locking Pawl R. H.	C-8027-15

UNION SWITCH & SIGNAL CO.

D. C. L. V. MOTOR (10 VOLTS) WITH SPECIAL SLOT
 (DETAIL PARTS)
 (Continued)

Zachary C. Gillihan 2008

Order by Plate, Piece, Reference and Abbreviated Description Given in
 Heavy Face Type Only

Piece	Ref.	Description	Drawing Reference
71117	52	Brake Shoe.....	8098-272
159530	53	Coil Spring.....	8124-166
159557	54	Pin for Ref. 53.....	8063-178
159533	55	Adjustment Screw for Ref. 53.....	8190-376
93420	56	Nut for Ref. 55.....	8265-128
159699	57	Magnet (1.25 ohms resistance) without Cap, Ref. 63, Armature, Ref. 65, Armature Stem, Ref. 64 and Nut Ref. 66.....	8342-166
159531	58	Pin with $\frac{1}{16}$ "x $\frac{1}{2}$ " Brass Cotter.....	8097-748
17376	59	Washer for Ref. 58.....	7828-66
138014	60	Pin.....	8097-938
45196	61	Screw.....	8098-504
32140	62	Nut for Ref. 61.....	8109-220
134991	63	Cap.....	C-1992-8
74450	64	Armature Stem with $\frac{1}{16}$ "x $\frac{1}{2}$ " S. Cotter.....	9595-64
112206	65	Armature.....	8157-162
45202	66	Nut for Ref. 64.....	8109-15
44600	67	Cover.....	C-8027-6
	68	Machine Screw No. 10-30x $\frac{3}{8}$ " Fil. Hd. S. for Ref. 67.	
73104	69	Thumb Screw.....	8331-18
119989	70	Name Plate.....	8225-231

UNION SWITCH & SIGNAL CO.

D. C. L. V. MOTOR (10 VOLTS) WITH SPECIAL SLOT
(DETAIL PARTS)

(Continued)

Zachary C. Gillihan 2008

Order by Plate, Piece, Reference and Abbreviated Description Given in
Heavy Face Type Only

Piece	Ref.	Description	Drawing Reference
	71	Hardened Drive Screw No. 6x3/8" for Ref. 70.	
	72	Terminal Post with Nuts and Washers (Inc. 1-72a, 1-15, 1-16, 2-17 and 2-18).....	12451
31668	72a	Terminal Post only, for Ref. 72.....	8094-706
43551	73	Connector.....	8064-286
43274	74	Cover.....	C-8027-6