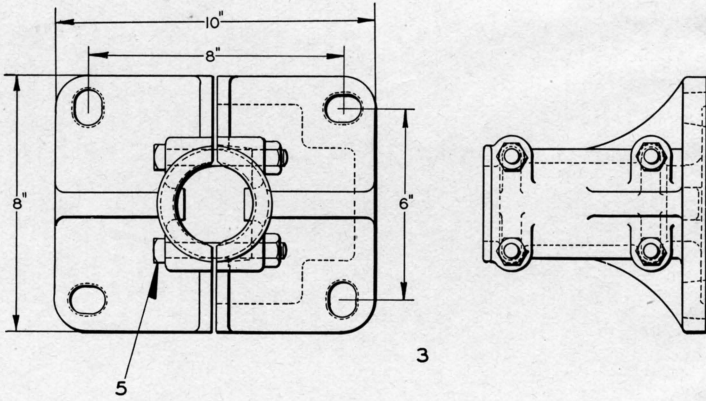
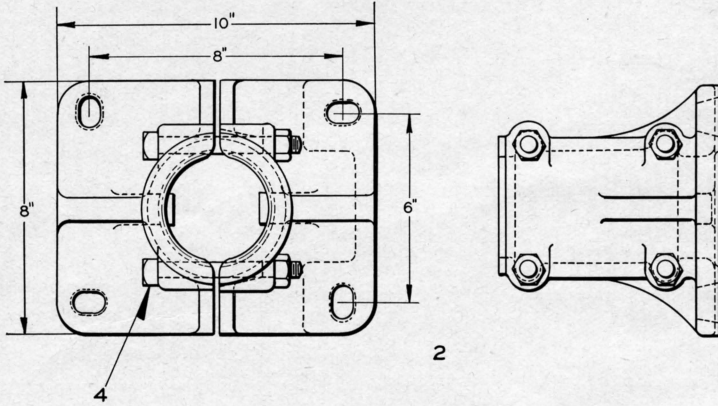


UNION SWITCH & SIGNAL CO.



CLAMP BASES

UNION SWITCH & SIGNAL CO.

SUBWAY TYPE LIGHT SIGNALS

DETAIL PARTS

CLAMP BASES

Order by Plate, Piece, Reference and Abbreviated Description Given in Heavy Face Type Only

Piece	Ref.	Description	Drawing Reference
70780	2	Clamp Base with four Bolts and Nuts for 3" Pipe for mounting Subway Type Light Signal.....	C-6634-1
73387	3	Clamp Base with four Bolts and Nuts for 2" Pipe for mounting Illuminated Sign as shown on Plate B-3475, Ref. 11.....	C-6634-4
	4	Bolt, 1/2"x4 1/2" Sq. Hd. with 1/2" Hex. Nut for Ref. 2.	
	5	Bolt, 1/2"x3 3/4" Sq. Hd. with 1/2" Hex. Nut for Ref. 3.	