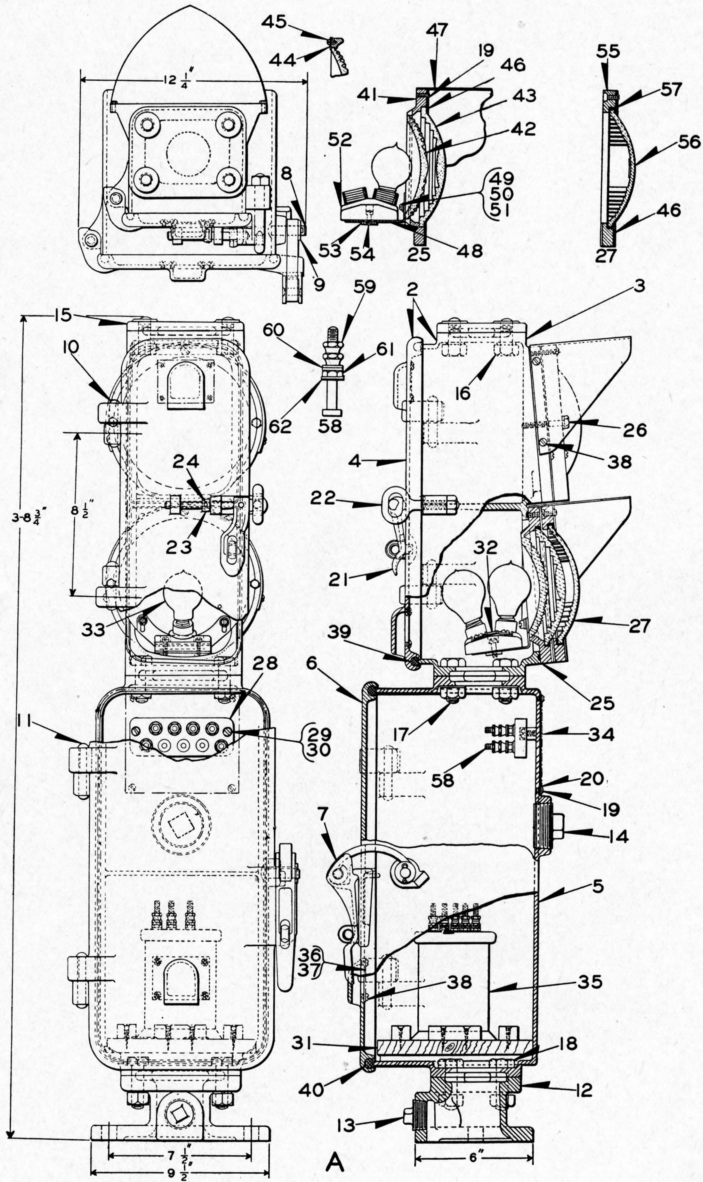


UNION SWITCH & SIGNAL CO.



TWO-COLOR LIGHT DWARF SIGNAL WITH RELAY AND CASE  
(FOR DAYLIGHT APPLICATION)

UNION SWITCH & SIGNAL CO.

TWO-COLOR LIGHT DWARF SIGNALS WITH RELAY AND CASE  
FOR DAYLIGHT APPLICATION

Order by Plate, Piece, Reference and Abbreviated Description Given in  
Heavy Face Type Only

Piece	Ref.	Description	Drawing Reference
159253	A	Two-Color Light Dwarf Signal with Lamp Bulbs Ref. 33, Relay and Terminal Case, Number Plate and Style ANL-2 Relay (Orders should specify Relay desired by referring to Plate E-1090 and numbering of Number Plate).....	C-6769-37
159173	Aa	Two-Color Light Dwarf Signal with Top Light Yellow and Bottom Light Red (without Lamp Bulbs and Relay) with Relay and Terminal Case (Orders should specify numbering required on Number Plate).....	C-6769-37
159172	2	Case and Door complete.....	C-6769-29
158419	3	Upper Case.....	C-9060-18
163981	4	Upper Door with Ventilators and Gasket.....	C-9060-19
159861	5	Lower Case.....	C-9060-22
159863	6	Lower Door with Ventilator and Gasket.....	C-9060-23
163359	7	Hasp.....	8299-116
163590	8	Stud with 1/8"x3/4" S. Cotter (Cad. Pl.).....	8115-118
25054	9	Washer.....	7826-1
50679	10	Pin.....	B-10207-1
49635	11	Pin.....	B-10207-1
158574	12	Base.....	C-9060-20
	13	Pipe Plug, 1 1/4" C. I.	
	14	Pipe Plug, 2" C. I.	
155368	15	End Cover.....	C-9060-10

UNION SWITCH & SIGNAL CO.

TWO-COLOR LIGHT DWARF SIGNALS WITH RELAY AND CASE  
FOR DAYLIGHT APPLICATION  
(Continued)

Order by Plate, Piece, Reference and Abbreviated Description Given in  
Heavy Face Type Only

Piece	Ref.	Description	Drawing Reference
	16	Tap Bolt, $\frac{5}{8}$ "-11x1 $\frac{1}{8}$ " Hex. Hd. (Cad. Pl.) with $\frac{5}{8}$ " Plain S. Lock Washer ( $\frac{3}{16}$ "x $\frac{3}{32}$ " (Cad. Pl.).	
	17	Bolt, $\frac{5}{8}$ "-11x1 $\frac{7}{8}$ " Hex. Hd. (Cad. Pl.) with $\frac{5}{8}$ " Hex. Nut (Cad. Pl.) and $\frac{5}{8}$ " Plain S. Lock Washer ( $\frac{3}{16}$ "x $\frac{3}{32}$ " (Cad. Pl.).	
	18	Bolt, $\frac{5}{8}$ "-11x2 $\frac{1}{8}$ " Hex. Hd. (Cad. Pl.) with $\frac{5}{8}$ " Hex. Nut (Cad. Pl.) and $\frac{5}{8}$ " Plain S. Lock Washer ( $\frac{3}{16}$ "x $\frac{3}{32}$ " (Cad. Pl.).	
	19	Machine Screw, No. 10-30x $\frac{3}{8}$ " Rd. Hd. S. (Cad. Pl.).	
37398	20	Washer.....	8274-67
163100	21	Hasp.....	8299-115
163073	22	Eye Bolt with $\frac{1}{2}$ " Hex. Nut.....	8034-197
163094	23	Collar.....	8072-646
53780	24	Pin.....	8097-665
163668	25	Lens Unit (Yellow) with Receptacle and Hood.....	C-8901-92
163669	25a	Lens Unit (Red) with Receptacle and Hood.....	C-8901-92
	26	Tap Bolt, $\frac{1}{4}$ "-20x1 $\frac{3}{4}$ " Hex. Hd. (Cad. Pl.) with $\frac{1}{4}$ " Plain S. Lock Washer ( $\frac{1}{8}$ "x $\frac{1}{16}$ " (Cad. Pl.).	
160389	27	Convex Deflecting Cover Glass.....	C-8901-73
156205	28	Terminal Board with Terminal Posts.....	9968-917
156062	28a	Terminal Board only for Ref. 28.....	9968-916
52335	29	Washer.....	7828-184
	30	Machine Screw, No. 14-24x1" Fil. Hd. S. (Cad. Pl.).	

UNION SWITCH & SIGNAL CO.

TWO-COLOR LIGHT DWARF SIGNALS WITH RELAY AND CASE  
FOR DAYLIGHT APPLICATION  
(Continued)

Order by Plate, Piece, Reference and Abbreviated Description Given in  
Heavy Face Type Only

Piece	Ref.	Description	Drawing Reference
160166	31	Shelf .....	12443-163
162101	32	Connector .....	8064-688
95268	33	Lamp Bulb, 120 Volt, 36 Watt .....	B-12409-6
158946	34	Number Plate (Orders should specify numbering desired) .....	11878-7
	35	Style ANL-2 Relay (When ordering refer to Plate E-1090) .....	B-12548-5
21918	36	Holder .....	B-7318-5
21919	37	Screen .....	B-7318-5
	38	Machine Screw, No. 10-30x $\frac{1}{4}$ " Rd. Hd. S.	
	39	Gasket, $\frac{3}{8}$ " Sq. x 3' 9" long for Ref. 4.	
	40	Gasket, $\frac{3}{8}$ " Sq. x 4' 8" long for Ref. 6.	
68489	41	Lens Housing .....	C-8901-15
68162	42	Yellow Lens, 5 $\frac{1}{2}$ " Diam. ....	B-8276-23
71329	42a	Red Lens, 5 $\frac{1}{2}$ " Diam. ....	B-8276-23
68507	43	Clear Lens, 6 $\frac{3}{8}$ " Diam. ....	B-8276-30
76735	44	Clip .....	11893-31
	45	Machine Screw, No. 10-30x $\frac{1}{4}$ " Fil. Hd. Br.	
68508	46	Lens Ring .....	7436-112
163667	47	Hood .....	C-8901-20
111760	48	Lamp Support .....	11893-121

UNION SWITCH & SIGNAL CO.

TWO-COLOR LIGHT DWARF SIGNALS WITH RELAY AND CASE  
FOR DAYLIGHT APPLICATION

(Continued)

Order by Plate, Piece, Reference and Abbreviated Description Given in  
Heavy Face Type Only

Piece	Ref.	Description	Drawing Reference
26381	49	Washer.....	7826-78
	50	Machine Screw, No. 10-30x $\frac{1}{2}$ " Fil. Hd. Br.	
	51	Lock Washer, No. 10 Plain S. ( $\frac{1}{8}$ "x $\frac{3}{16}$ ".)	
87214	52	Lamp Socket.....	B-9954-11
111757	53	Locking Plate.....	9999-119
	54	Machine Screw, No. 10-30x $\frac{5}{8}$ " Fil. Hd. Br.	
136427	55	Lens Housing.....	C-8901-74
160388	56	Clear Deflecting Cover Glass, 6 $\frac{3}{8}$ " Diam.....	B-8276-55
	57	Gasket, $\frac{1}{16}$ "x $\frac{3}{4}$ "x20 $\frac{1}{2}$ " Lamp Wick.	
	58	Terminal Post with Nuts and Washers (Inc. 1-58a, 2-59, 2-60, 1-61 and 1-62).....	12451-
146958	58a	Terminal Post only for Ref. 58.....	8094-1192
29101	59	Nut.....	8109-193
29102	60	Washer.....	7828-139
29103	61	Nut.....	8109-194
29104	62	Washer.....	7828-138