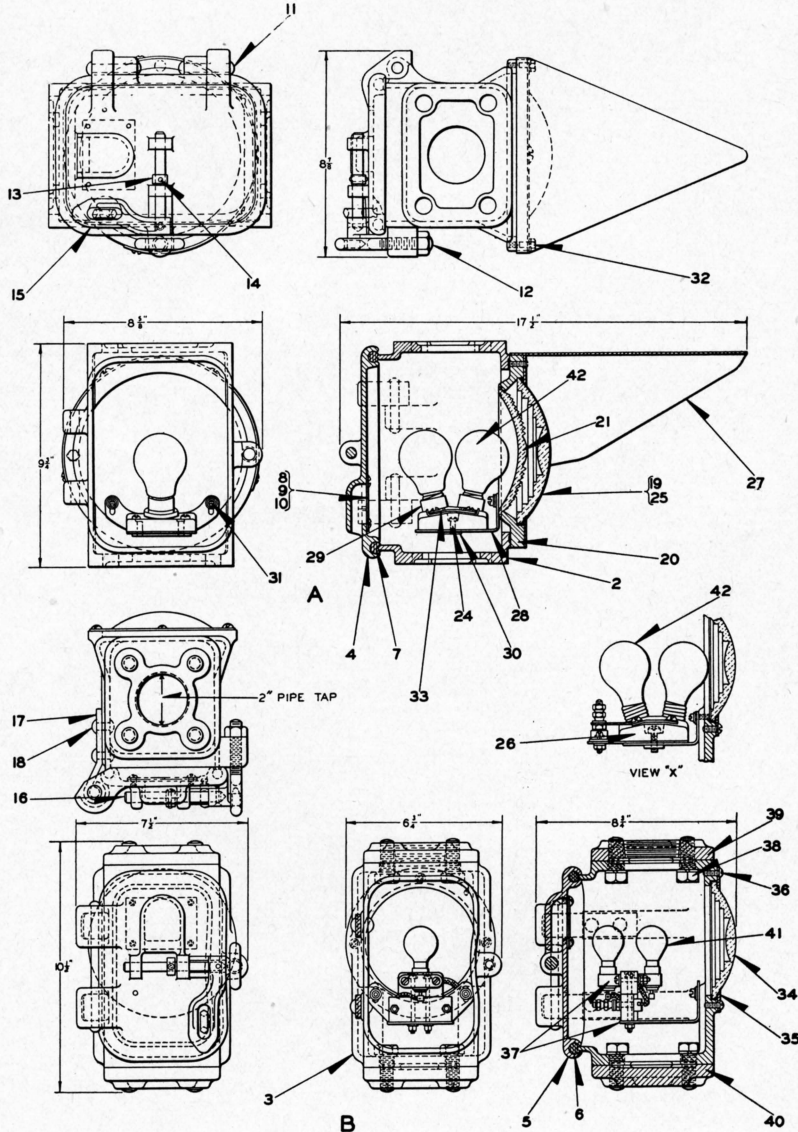


UNION SWITCH & SIGNAL CO.



ONE-COLOR SUBWAY LIGHT SIGNAL AND BUMPER BLOCK SIGNALS  
(WITHOUT MOUNTING FITTINGS)

UNION SWITCH & SIGNAL CO.

ONE-COLOR SUBWAY LIGHT SIGNAL AND  
BUMPER BLOCK SIGNALS  
(Without Mounting Fittings)

Order by Plate, Piece, Reference and Abbreviated Description Given in  
Heavy Face Type Only

Piece	Ref.	Description	Drawing Reference
159171	A	One Color Light Signal (6 $\frac{3}{8}$ " Doublet Lens) with Yellow Light for daylight application. Screw Base Lamp Socket and 120-Volt, 36-Watt Lamp Bulbs.....	C-6769-31
164624	B	One Color Inside Bumper Block Subway Light Signal (5" Single Lens) with Red Light (With Bayonet Type Lamp Socket) with 10-Volt, 5-Watt Lamp Bulbs.....	C-6769-45
164625	Ba	One Color Outside Bumper Block Light Signal (5" Single Lens) with Red Light (With Screw Base Type Lamp Socket per View "X") with 120-Volt, 36-Watt Lamp Bulbs.....	C-6769-45
159126	2	Case and Door (Inc. 1-2a, 1-4, 2-11, 1-12, 1-13, 1-14 and 1-15) for Ref. A.....	C-6769-31
156467	2a	Case only, for Ref. 2.....	C-9060-15
164002	3	Case and Door (Inc. 1-3a, 1-5, 1-12, 1-13, 1-14, 1-15, 1-16, 2-17 and 4-18) for Refs. B and Ba.....	C-6769-43
162976	3a	Case only, for Ref. 3.....	C-9060-28
156543	4	Door with Holder, Screen and Flax Packing (Inc. 1-7, 1-8, 1-9 and 4-10) for Ref. 2.....	C-9060-16
163998	5	Door with Holder, Screen, and Flax Packing (Inc. 1-6, 1-8, 1-9 and 4-10) for Ref. 3.....	C-9060-29
	6	Flax Packing, $\frac{3}{8}$ " x $\frac{3}{8}$ " x 2' 0" for Ref. 5.	
	7	Flax Packing, $\frac{3}{8}$ " x $\frac{3}{8}$ " x 2' 4" for Ref. 4.	
21918	8	Holder.....	B-7318-5
21919	9	Screen.....	B-7318-5

UNION SWITCH & SIGNAL CO.

ONE-COLOR SUBWAY LIGHT SIGNAL AND  
BUMPER BLOCK SIGNALS  
(Without Mounting Fittings)  
(Continued)

Order by Plate, Piece, Reference and Abbreviated Description Given in  
Heavy Face Type Only

Piece	Ref.	Description	Drawing Reference
	10	Machine Screw, No. 10-30x $\frac{1}{4}$ " Rd. Hd. S.	
50679	11	Pin .....	B-10207-1
163073	12	Eye Bolt with $\frac{1}{2}$ " Hex. Nut.....	8034-197
163094	13	Collar .....	8072-646
53780	14	Pin .....	8097-665
163100	15	Hasp .....	8299-115
164461	16	Pin .....	B-10207-1
164398	17	Hinge .....	12426-32
	18	Rivet, $\frac{5}{16}$ "x1" Rd. Hd. I.	
98832	19	Lens Unit (Yellow) (Inc. 1-20, 1-21, 2-22, 2-23, 4-10, 2-24, 1-25, 3-26, 1-27, 1-28, 1-29, 1-30 and 2-31) for Ref. A.....	C-8901-17
68489	20	Lens Housing .....	C-8901-15
68162	21	Lens (Yellow) 5 $\frac{1}{2}$ " Diam.....	B-8276-23
76735	22	Clip for Ref. 21 (Not shown).....	11893-31
	23	Machine Screw No. 10-30x $\frac{1}{4}$ " Fil. Hd. Br. for Ref. 22 (Not shown).	
	24	Machine Screw No. 10-30x $\frac{5}{8}$ " Fil. Hd. Br.	
68507	25	Outer Lens 6 $\frac{3}{8}$ " Diam. Clear .....	B-8276-30
164338	26	Lamp Base (Shell Type) for Ref. Ba.....	12415-24
68505	27	Hood.....	C-8901-16

UNION SWITCH & SIGNAL CO.

ONE-COLOR SUBWAY LIGHT SIGNAL AND  
BUMPER BLOCK SIGNALS  
(Without Mounting Fittings)  
(Continued)

Order by Plate, Piece, Reference and Abbreviated Description Given in  
Heavy Face Type Only

Piece	Ref.	Description	Drawing Reference
111760	28	Lamp Support.....	11893-121
87214	29	Lamp Socket (Shell Type) for Ref. A.....	B-9954-11
111757	30	Locking Plate.....	9999-119
	31	Machine Screw No. 10-30x $\frac{1}{2}$ " Fil. Hd. Br. with Washer Ref. 31a, and No. 19 Lock Washer ( $\frac{1}{8}$ "x $\frac{3}{64}$ ").	
73493	31a	Washer for Ref. 31.....	7826-78
	32	Tap Bolt, $\frac{1}{4}$ "-20x $1\frac{1}{4}$ " Hex. Hd. S. with $\frac{1}{4}$ " Plain S. Lock Washer ( $\frac{1}{8}$ "x $\frac{1}{16}$ ").	
162101	33	Terminal Connector.....	8064-688
79225	34	Lens (Red) 5" Diam.....	B-8276-8
129899	35	Lens Ring.....	7436-128
	36	Machine Screw No. 10-30x $\frac{3}{8}$ " Rd. Hd. S.	
163647	37	Lamp Base (Bayonet Type) for Ref. B.....	12415-26
	38	Tap Bolt, $\frac{5}{8}$ "-11x $1\frac{1}{2}$ " Hex. Hd. S. with $\frac{5}{8}$ " Plain S. Lock Washer ( $\frac{3}{16}$ "x $\frac{3}{32}$ ").	
164562	39	End Cover.....	C-9060-10
164563	40	End Cover.....	C-9060-10
148970	41	Lamp Bulb (10 Volt, 5 Watt) Single Contact Bayonet Base for Ref. B.....	B-12409-18
95268	42	Lamp Bulb (120 Volt, 36 Watt) Screw Type for Refs. A and C.....	B-12409-6