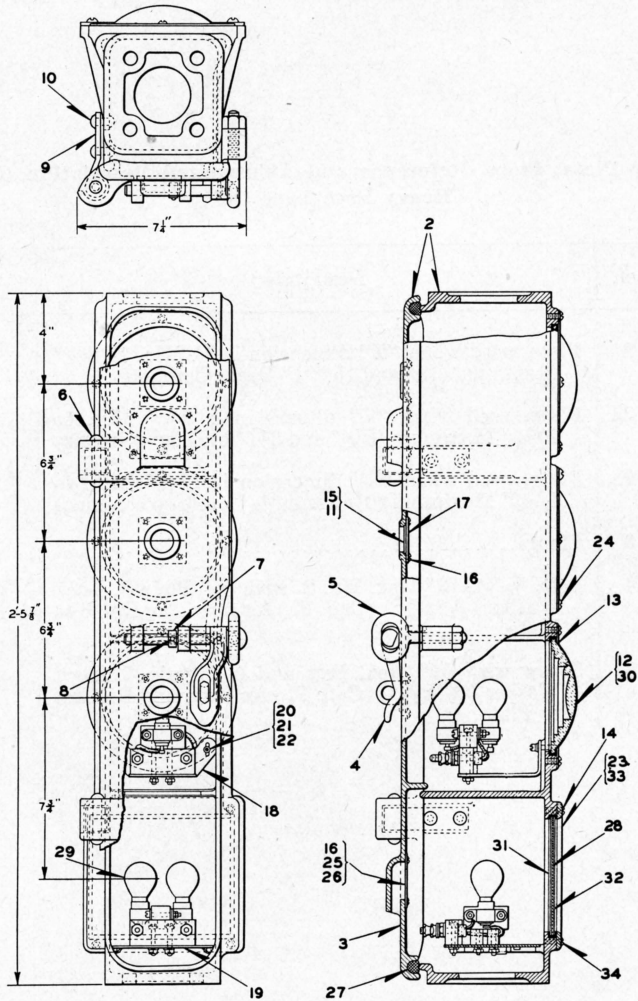


UNION SWITCH & SIGNAL CO.



A

THREE COLOR SUBWAY LIGHT SIGNAL WITH BAYONET BASE  
TYPE LAMPS (WITHOUT MOUNTING FITTINGS)

UNION SWITCH & SIGNAL CO.

**THREE-COLOR SUBWAY LIGHT SIGNAL WITH BAYONET  
BASE TYPE LAMPS  
(Without Mounting Fittings)**

Order by Plate, Piece, Reference and Abbreviated Description Given in  
Heavy Face Type Only

Three-Color Subway Light Signal with 5" Single Lens, Lamp Bulbs Ref. 29 and Number Plate (Orders should specify number desired on Number Plate)								
Piece	Ref.	Top Light		Middle Light		Bottom Light		Drawing Reference
		Lens Color	Back-Light	Lens Color	Back-Light	Lens Color	Back-Light	
156615	A	Green	White	Yellow	White	Red	Red	C-6769-34
159164	Aa	Blank	Blank	Yellow	White	Red	Red	C-6769-34
159165	Ab	Blank	Blank	Blank	Blank	Red	Red	C-6769-34
160782	Ac	Green	White	Blank	Blank	Red	Red	C-6769-34
186269	Ad	Red	Red	Yellow	White	Green	White	C-6769-34
186270	Ae	Red	Red	Yellow	White	Blank	Blank	C-6769-34
194300	*Af	Red	Red	Yellow	White	Green	White	C-6769-34
194301	*Ag	Red	Red	Yellow	White	Blank	Blank	C-6769-34
*Arranged with Support for Portable Ladder								
Piece	Ref.	Description						Drawing Reference
163622	2	<b>Case and Door</b> (Inc. 1-2a, 1-3, 1-4, 1-5, 2-6, 1-7, 1-8, 2-9 and 4-10) for Refs. A to Ae inc. ....						C-6769-28
162984	2a	<b>Case Only</b> for Ref. 2 (Without Holes for Ladder Support).....						C-9060-26
194299	2b	<b>Case and Door</b> (Inc. 1-2c, 1-3, 1-4, 1-5, 2-6, 1-7, 1-8, 2-9, 4-10 of this Plate and 1-9 and 2-10 of Plate B-3416) for Refs. Af and Ag.....						C-6769-28

UNION SWITCH & SIGNAL CO.

THREE-COLOR SUBWAY LIGHT SIGNAL WITH BAYONET  
BASE TYPE LAMPS

(Without Mounting Fittings)

(Continued)

Order by Plate, Piece, Reference and Abbreviated Description Given in  
Heavy Face Type Only

Piece	Ref.	Description	Drawing Reference
194303	2c	Case Only for Ref. 2b (With Holes for Ladder Support).....	C-9060-26
162986	3	Door with Gasket Ref. 27, Ventilators and two Pins Ref. 6 (Arranged for Backlight).....	C-9060-27
163100	4	Hasp.....	8299-115
163073	5	Eye Bolt with 1/2" Hex. Nut.....	8034-197
47304	6	Pin, 3/8"x2 1/8" for attaching Door to Case.....	B-10207-1
163094	7	Collar.....	8072-646
53780	8	Pin, .136"x3/4".....	8097-665
164398	9	Hinge.....	12426-32
	10	Rivet, 5/16"x1" Rd. Hd. I.	
156528	11	Disc (For blanking out Back Light).....	10933-12
185774	11a	Disc (For 1/4" diam. Backlight opening).....	7828-368
123004	12	Green Lens (5" Diam.).....	B-8276-8
79224	12a	Yellow Lens (5" Diam.).....	B-8276-8
79225	12b	Red Lens (5" Diam.).....	B-8276-8
129899	13	Lens Ring.....	7436-128
	14	Machine Screw, No. 10-30x5/8" Rd. Hd. B. for Ref. 23	
156019	15	Glass Shield (White).....	8163-222
156064	15a	Glass Shield (Red).....	8163-222

UNION SWITCH & SIGNAL CO.

THREE-COLOR SUBWAY LIGHT SIGNAL WITH BAYONET  
BASE TYPE LAMPS

(Without Mounting Fittings)

(Continued)

Order by Plate, Piece, Reference and Abbreviated Description Given in  
Heavy Face Type Only

Piece	Ref.	Description	Drawing Reference
	16	Machine Screw, No. 10-30x $\frac{1}{4}$ " Rd. Hd. S. (Tin Pl.) for Refs. 17, 25 and 26	
156020	17	Shield Holder.....	7436-139
163647	18	Lamp Base.....	12415-26
163646	19	Lamp Base.....	12415-25
	20	Machine Screw, No. 10-30x $\frac{1}{2}$ " Fil. Hd. Br. (N. P.)	
73493	21	Washer.....	7826-78
	22	Lock Washer, No. 10 Plain S. ( $\frac{1}{8}$ "x $\frac{3}{16}$ " ) (Tin Pl.)	
163090	23	Shield Holder.....	7632-237
	24	Machine Screw, No. 10-30x $\frac{3}{8}$ " Rd. Hd. B. for Ref. 13	
21918	25	Holder.....	B-7318-5
21919	26	Screen.....	B-7318-5
	27	Gasket, $\frac{3}{8}$ "x $\frac{3}{8}$ "x5'-5" Flax Packing	
166454	28	Number Plate (Orders should specify numbering de- sired) for 1-Arm Signals and top arm of 3-Arm Signals.....	11878-10
156517	28a	Number Plate (Orders should specify numbering de- sired) for lower arm of 3-Arm Signals.....	11878-6
172429	28b	Number Plate (Orders should specify numbering de- sired) for horizontally mounted 1-Arm Signals....	11878-22
148970	29	Lamp Bulb, 10 Volt, 5 Watt, Single Contact Bayonet Base.....	B-12409-18
137607	30	Disc (Used for blanking out light).....	7436-131

UNION SWITCH & SIGNAL CO.

THREE-COLOR SUBWAY LIGHT SIGNAL WITH BAYONET  
BASE TYPE LAMPS

(Without Mounting Fittings)

(Continued)

Order by Plate, Piece, Reference and Abbreviated Description Given in  
Heavy Face Type Only

Piece	Ref.	Description	Drawing Reference
163345	31	Glass Shield (Milk White) . . . . .	8163-300
179028	31a	Gasket for Glass Shield Ref. 31 . . . . .	8078-1542
156050	32	Glass Shield (Clear) . . . . .	8163-300
163089	33	Plate (Used for blanking out light) . . . . .	9999-737
	34	Machine Screw, No. 10-30x $\frac{1}{2}$ " Rd. Hd. B. for at- taching Plate Ref. 33 to Case	