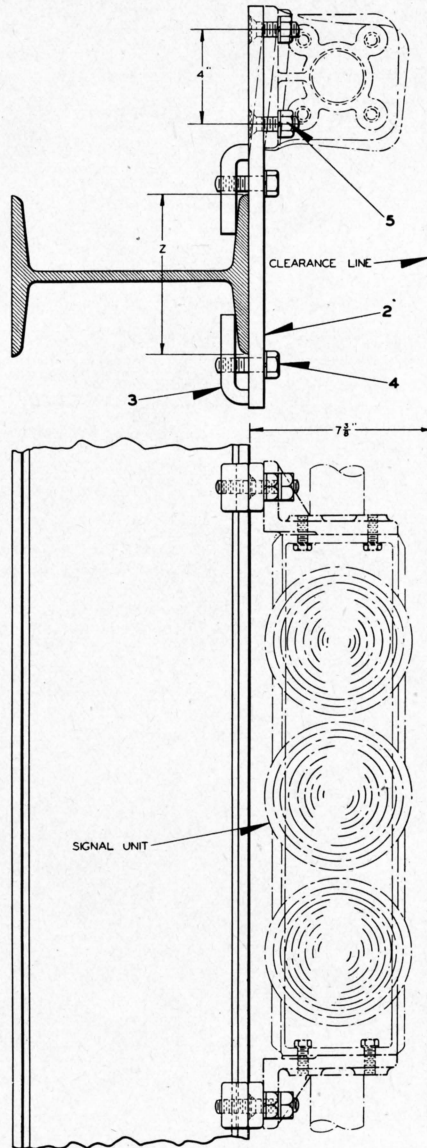


UNION SWITCH & SIGNAL CO.



APPLICATION OF SUBWAY COLOR LIGHT SIGNAL UNITS  
TO "I" BEAMS OR COLUMNS

UNION SWITCH & SIGNAL CO.

APPLICATION OF SUBWAY COLOR LIGHT SIGNALS  
TO "I" BEAMS OR BUILT-UP COLUMNS

Order by Plate, Piece, Reference and Abbreviated Description Given in  
Heavy Face Type Only

Piece	Ref.	Description	Drawing Reference
165624	2	Plate, used when "Z" dimension is 5" Min. to 6 $\frac{3}{4}$ " Maximum (12" and 15" "I" Beam Columns) . . . . .	9999-767
165625	2a	Plate, used when "Z" dimension is 8 $\frac{5}{16}$ " Min. to 10 $\frac{3}{4}$ " Maximum (6 $\frac{1}{2}$ " and 8 $\frac{1}{4}$ " built up columns)	9999-767
165626	2b	Plate, used when "Z" dimension is 12 $\frac{5}{16}$ " Min. to 12 $\frac{3}{4}$ " Maximum (6 $\frac{1}{2}$ " and 8 $\frac{1}{4}$ " built up columns)	9999-767
165580	3	Clamp . . . . .	9999-768
	4	Bolt, $\frac{5}{8}$ "-11x2" Hex. Hd. S. with $\frac{5}{8}$ " Plain S. Lock Washer ( $\frac{3}{16}$ "x $\frac{3}{32}$ " ) (Cad. Pl.) for fastening Ref. 3 to Plate.	
165657	5	Screw with $\frac{5}{8}$ " Hex. Nut and $\frac{5}{8}$ " Plain S. Lock Washer ( $\frac{3}{16}$ "x $\frac{3}{32}$ " ) (Cad. Pl.) for fastening Bracket to Plate.	