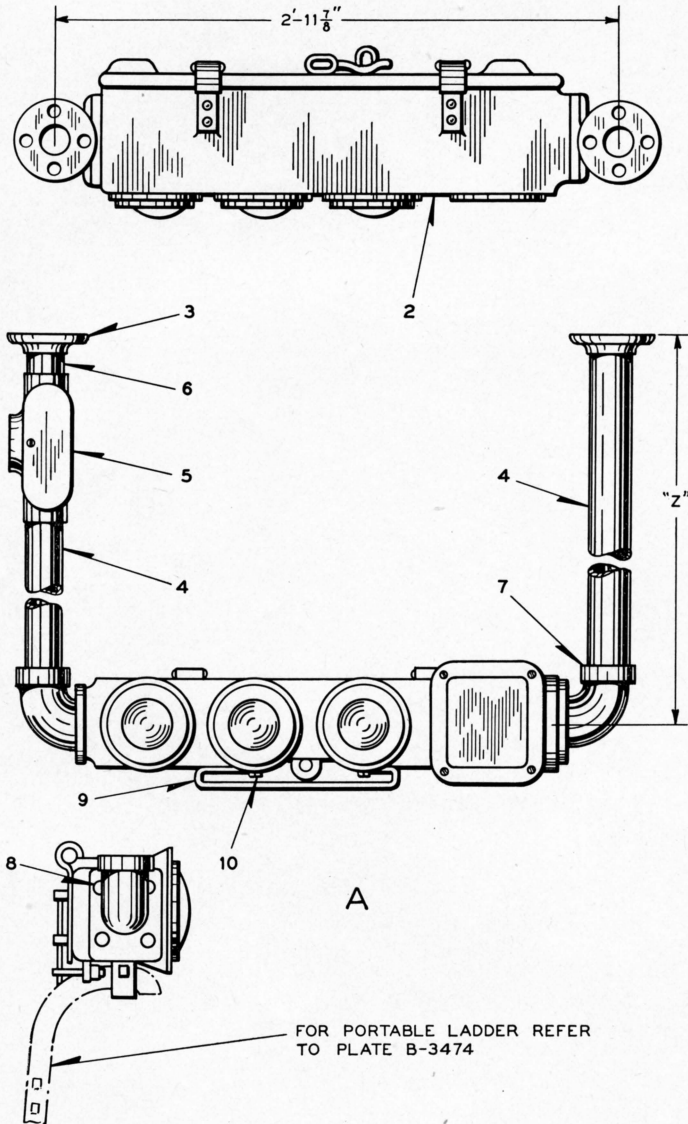


UNION SWITCH & SIGNAL CO.



COLOR LIGHT SIGNAL

UNION SWITCH & SIGNAL CO.

COLOR LIGHT SIGNAL FOR SUBWAYS
(HORIZONTAL TYPE)

For Signal Unit Refer to Plate B-3425

Order by Plate, Piece, Reference and Abbreviated Description Given in Heavy Face Type Only

| Color Light Signal with Three-Color Unit, 5" Single Lens, Illuminated Number Plate, Flanges, Ells, Pipes and 10-Volt, 5-Watt Single Contact Bayonet Base Lamp Bulbs (Orders should specify number desired on Number Plate and "Z" dimension) Dwg. B-10325-358 | | | | | |
|---|------|---|---------|---------|------------------------------|
| Piece | Ref. | Signal Unit | | | Ref. Plate B-3425 |
| | | Space 1 | Space 2 | Space 3 | |
| | A | Red | Yellow | Green | Af |
| | Aa | Red | Yellow | Blank | Ag |
| Piece | Ref. | Description | | | Drawing Reference |
| | 2 | Three-Color Light Signal Unit (Refer to Plate B-3425 for details and assemblies) | | | C-6769- |
| | 3 | Floor Flange, 2"x5½" C. I. Galv. | | | |
| | 4 | 2" Pipe (Orders should specify length desired) | | | |
| | 5 | Condulet for 2" Pipe | | | |
| | 6 | 2" Pipe Nipple (Orders should specify length desired) | | | |
| 194302 | 7 | Flanged Ell for 2" Pipe | | | C-9060-45 |
| | 8 | Tap Bolt, 5/8"-11x1½" Hex. Hd. with 5/8" Pl. S. Lock Washer (3/16"x3/32") (Cad. Pl.) for attaching Ref. 7 to Ref. 2 | | | |
| 194304 | 9 | Ladder Support | | | 10914-687 |
| | 10 | Tap Bolt, 1/2"-13x1 3/8" Hex. Hd. with 1/2" Pl. S. Lock Washer (3/16"x3/32") and 1/2" S. Hex. Nut (Cad. Pl.) | | | |