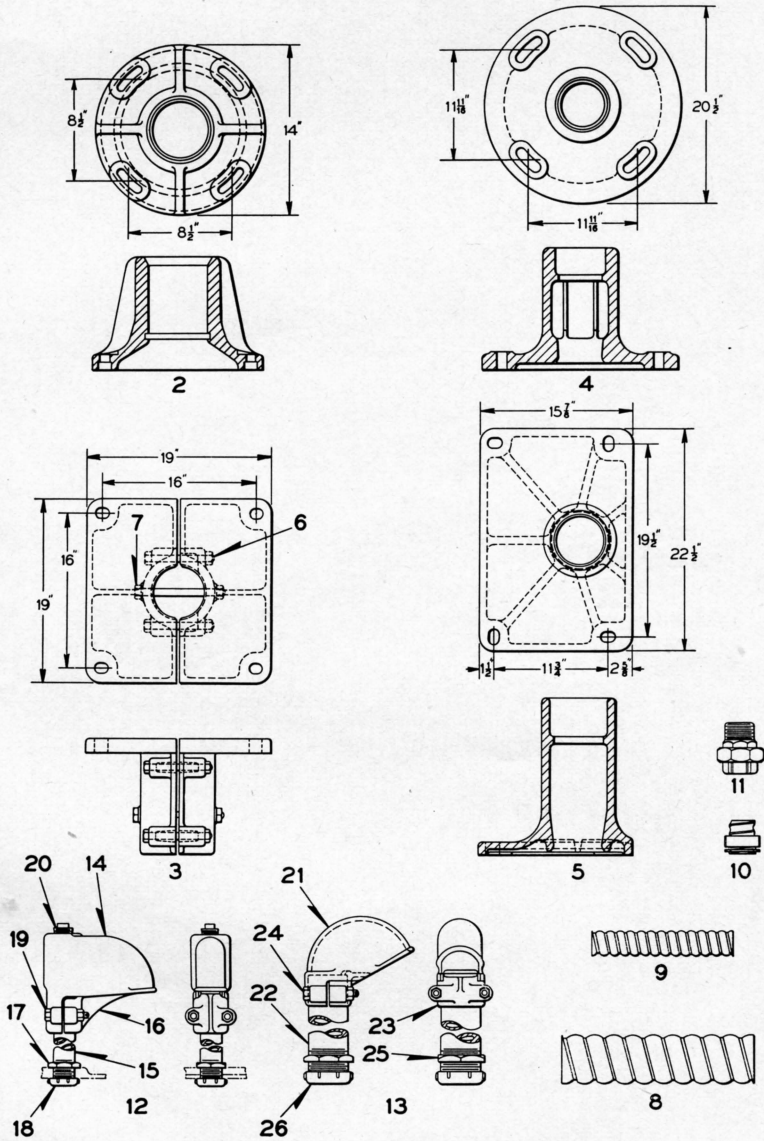


UNION SWITCH & SIGNAL CO.



BASES, CABLE OUTLETS AND FITTINGS

UNION SWITCH & SIGNAL CO.

COLOR LIGHT SEARCHLIGHT SIGNAL

DETAIL PARTS

BASES, CABLE OUTLETS AND FITTINGS

Order by Plate, Piece, Reference and Abbreviated Description Given in Heavy Face Type Only

Piece	Ref.	Description	Drawing Reference
115264	2	Base (Leaded) for 5" Pipe (for mounting on Instrument Case).....	C-3231-2
170595	3	Clamped Socket Complete for 5" Pipe with Four Bolts Ref. 6 and One Bolt Ref. 7 (For mounting on Bridge Signal Post).....	C-6425-3
60096	3a	Half Socket for Ref. 3.....	C-6425-3
131006	4	Base (Leaded) for 5" Pipe (For Ground Mounting) ..	C-6782-11
182226	5	Base (Leaded) for 5" Pipe (For Bracket Mounting) ..	C-6782-13
	6	Bolt, 3/4" x 7" Sq. Hd. with 3/4" Hex. Nut for Ref. 3.	
	7	Bolt, 5/8" x 8 3/4" Sq. Hd. with 3/4" Hex. Nut for Ref. 3.	
	8	Conduit Double Strip Flexible 1 1/2" I.D. x 2.060" O.D. x 2' 4" Long.	
	8a	Conduit Double Strip Flexible 1 1/2" I.D. x 2.060" O.D. x 20" Long.	
	9	Conduit Double Strip Flexible 1 3/8" I.D. x 1.148" O.D. x 2' 2" Long.	
	10	Jake Straight Box Connector, 1 1/2" M. I. (Galv.).	
	10a	Jake Straight Box Connector, 3/4" M. I. (Galv.).	
	11	Male and Female Union, 1 1/2" M. I. (Galv.).	
	11a	Male and Female Union, 3/4" M. I. (Galv.).	
152573	12	Cable Outlet Complete with Pipe, Lock Nut and Pipe Plug, for 1 1/2" Pipe.....	B-10342-46
	13	Cable Outlet Complete with Pipe, Bushing and Lock Nut, for 2 1/2" Pipe.....	B-10342-8
123274	14	Cap with 1" Pipe Tap.....	B-10342-46

UNION SWITCH & SIGNAL CO.

COLOR LIGHT SEARCHLIGHT SIGNAL
(Continued)

DETAIL PARTS

BASES, CABLE OUTLETS AND FITTINGS

Order by Plate, Piece, Reference and Abbreviated Description Given in Heavy Face Type Only

Piece	Ref.	Description	Drawing Reference
45152	15	Pipe, 1½"x16½" Long (Galv.) for Ref. 12.....	B-10342-3
63171	16	Clamp.....	B-10342-1
	17	Lock Nut, 1½".	
	18	Bushing, 1½".	
	19	Bolt, ½"x2¾" Hex. Hd. with ½" Hex. Nut.	
	20	Pipe Plug, 1".	
49658	21	Cap.....	B-10342-8
149005	22	Pipe, 2½"x12" Long (Galv.) for Ref. 13.....	B-11015-18
49659	23	Clamp.....	B-10342-8
	24	Bolt, ½"x3½" Hex. Hd. with ½" Hex. Nut.	
	25	Lock Nut, 2½".	
	26	Bushing, 2½".	