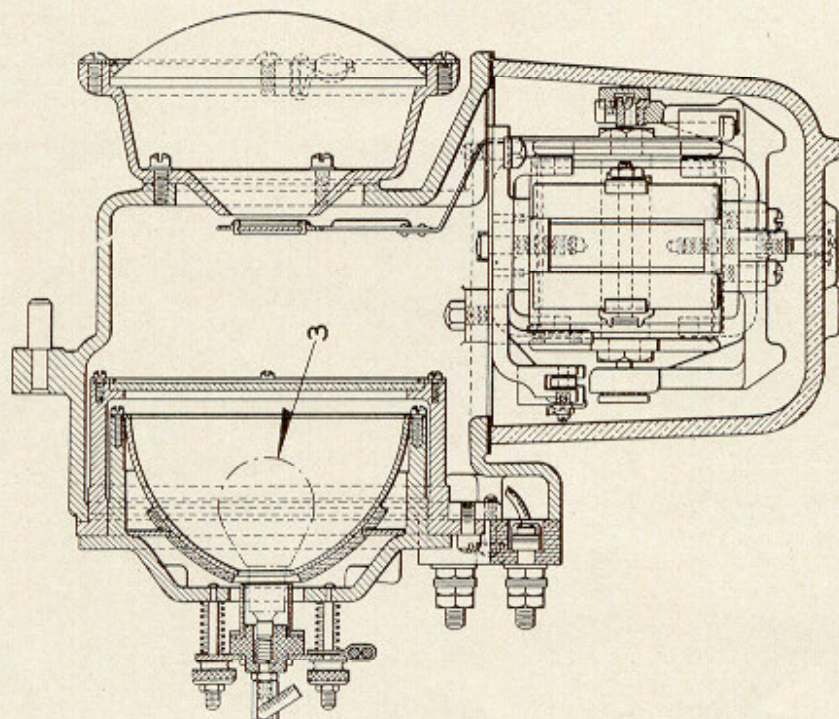
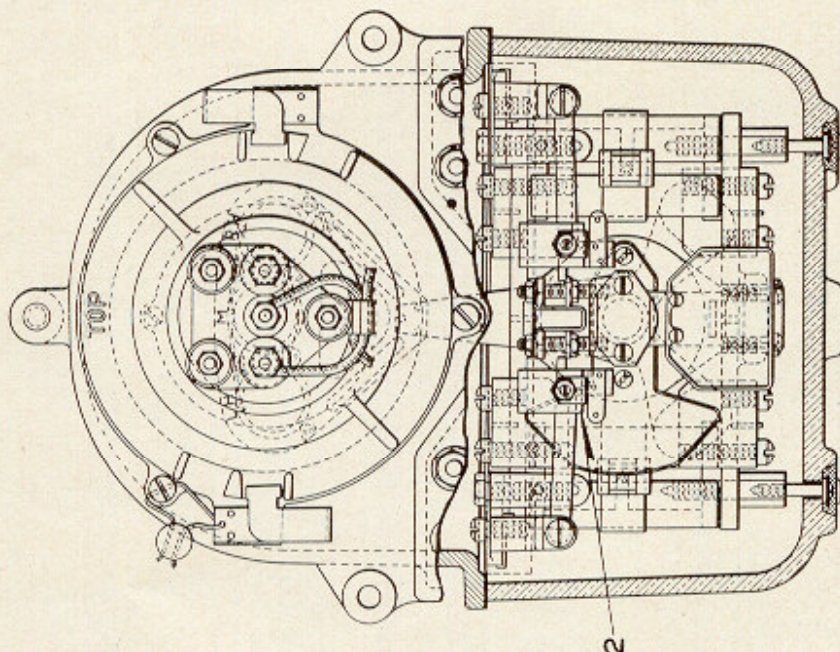


UNION SWITCH & SIGNAL CO.

ZCG UTILITY SCRAP  
UNION MO 63084



A



2

FOR OTHER DETAILS  
REFER TO PLATES  
B-2885 AND B-2888

STYLE "H-2" D. C. SEARCHLIGHT SIGNAL OPERATING UNIT  
(WITHOUT CONTACTS)

UNION SWITCH & SIGNAL CO.

STYLE "H-2" D. C. SEARCHLIGHT SIGNAL OPERATING UNIT  
(WITHOUT CONTACTS)

Order by Plate, Piece, Reference and Abbreviated Description Given in  
Heavy Face Type Only

Piece	Ref.	Description	Drawing Reference
	A	Style "H-2" D.C. Searchlight Signal Operating Unit (Armature Coil Resistance 250-ohms, operating voltage 6-8 Volts) with L. H. roundel Yellow, middle roundel Red and R. H. roundel Green, Terminal Board Ref. 7, Plate B-2885 (If different colors or arrangement of Roundels are desired orders should so state) without Lamp Ref. 3 . . . . .	C-9157-10
169784	Aa	Style "H-2" D.C. Searchlight Signal Operating Unit (Armature Coil Resistance 500-ohms, operating voltage 8-10 Volts) with L. H. roundel Yellow, middle roundel Red and R. H. roundel Green, Terminal Board Ref. 7, Plate B-2885 (If different colors or arrangement of roundels are desired orders should so state) without Lamp Ref. 3 . . . . .	C-9157-10
152865	2	Counterweight Complete with Set Screw, Nut and Lock Washer . . . . .	9672-192
	3	Lamp (When ordering refer to Plate B-2885) . . . . . For other details refer to Plates B-2885 and B-2888.	B-12409-

ZCG UTILITY SCRAP  
UNION MO 63084