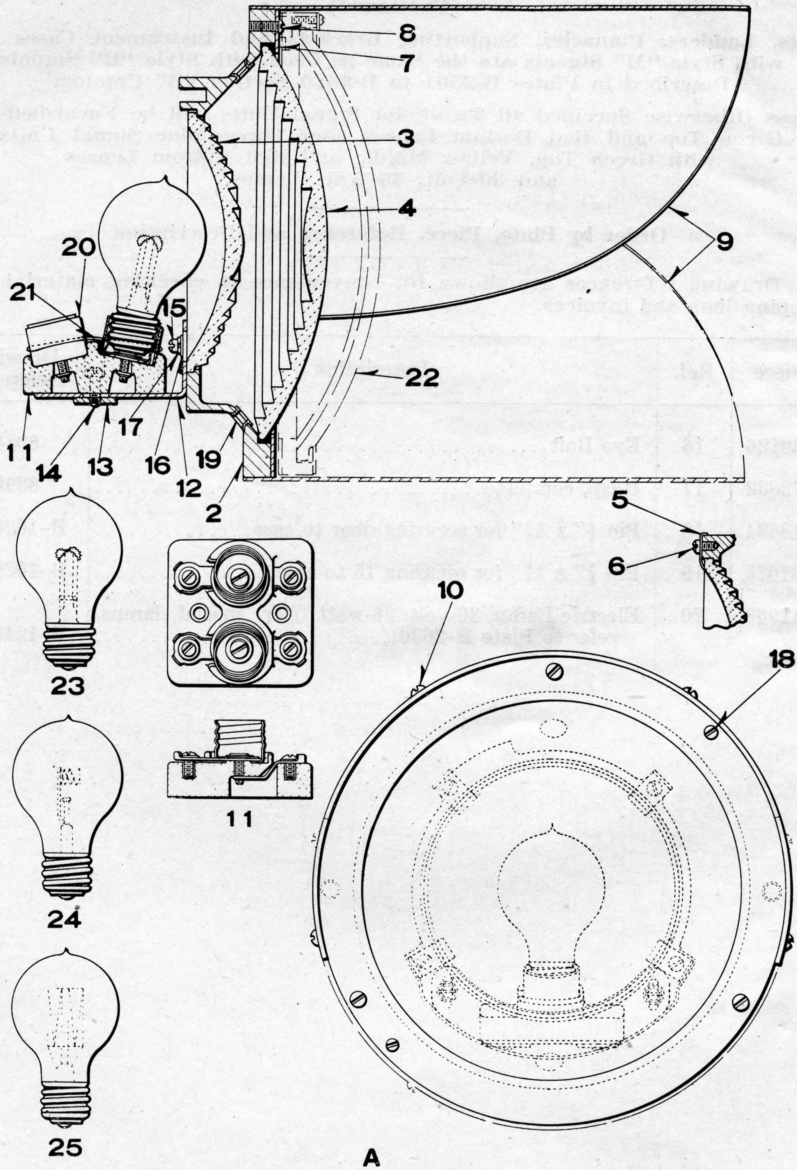


UNION SWITCH & SIGNAL CO.



LAMP UNITS AND ELECTRIC LAMPS FOR TWO AND THREE-COLOR
STYLE "M" COLOR LIGHT SIGNAL UNITS

UNION SWITCH & SIGNAL CO.

LAMP UNITS AND ELECTRIC LAMPS FOR TWO AND THREE-COLOR
STYLE "M" COLOR LIGHT SIGNAL UNITS

Unless Otherwise Specified, all Lamp Units will be Furnished with 30-Volt,
36-Watt Lamps.

Order by Plate, Piece, Reference and Description

Drawing references are shown for convenience in checking material with shipping lists and invoices.

Piece	Ref.	Description	Drawing Reference
113778	A	Lamp Unit, complete with Green Lens, hood assembled as shown in full lines (with bulb).....	C-8901-12
113779	Aa	Lamp Unit, complete with Yellow Lens, hood assembled as shown in full lines (with bulb).....	C-8901-12
113780	Ab	Lamp Unit, complete with Red Lens, hood assembled as shown in full lines (with bulb).....	C-8901-12
113781	Ac	Lamp Unit, complete with Red Lens, hood assembled as shown in dot and dash lines for bottom light (with bulb).....	C-8901-12
126108	Ad	Lamp Unit, complete with Yellow Lens, hood assembled as shown in dot and dash lines for bottom light (with bulb).....	C-8901-12
113788	2	Lens Housing for A, Aa and Ab.....	C-8901-30
113789	2a	Lens Housing for Ac and Ad.....	C-8901-30
71329	3	Red Back Lens, 5½".....	B-8276-23
68162	3a	Yellow Back Lens, 5½".....	B-8276-23
71331	3b	Green Back Lens, 5½".....	B-8276-23
50050	4	Clear Front Lens, 8¾".....	B-8276-22
76735	5	Clip for securing back lens to lens housing.....	11893-31
	6	Machine Screw No. 10-30 x ¼" Fil. Hd. Br. for 5.	
71187	7	Lens Ring.....	7436-106
	8	Machine Screw No. 10-30 x ⅜" Rd. Hd. S. (Cad. Pl.) for securing 7 to lens housing.	
65898	9	Hood.....	C-8842-15
	10	Machine Screw No. 10-30 x ¼" Rd. Hd. S. (Cad. Pl.) for securing 9 to lens housing.	
87187	11	Lamp Grip Shell Receptacle.....	B-9954-11

UNION SWITCH & SIGNAL CO.

LAMP UNITS AND ELECTRIC LAMPS FOR TWO AND THREE-COLOR
 STYLE "M" COLOR LIGHT SIGNAL UNITS
 (Continued)

Unless Otherwise Specified, all Lamp Units will be Furnished with 30-Volt,
 36-Watt Lamps.

Order by Plate, Piece, Reference and Description

Drawing references are shown for convenience in checking material with
 shipping lists and invoices.

Piece	Ref.	Description	Drawing Reference
111760	12	Lamp Support.....	11893-121
111757	13	Locking Plate.....	9999-119
	14	Machine Screw No. 10-30 x $\frac{3}{8}$ " Fil. Hd. Br. for secur- ing 11 to 12 and 13.	
	15	Machine Screw No. 10-30 x $\frac{1}{2}$ " Fil. Hd. Br. for secur- ing 12 to lens housing.	
26381	16	Washer for 15.....	7826-78
	17	Lock Washer No. 10 plain ($\frac{1}{8}$ " x $\frac{3}{4}$ ") for 15.	
	18	Machine Screw No. 14-24 x $\frac{3}{8}$ " Rd. Hd. Br. used for plugging holes in lens housing when deflecting prism is not used.	
84244	19	Ventilator.....	7318-64
122102	20	Insulating Bushing.....	B-10277-1
	21	No. 32 Rubber Band.	
90897	22	Deflecting Prism, complete (10° spread).....	C-8901-8
90898	22a	Deflecting Prism, complete (20° spread).....	C-8901-8

ELECTRIC LAMP

Piece	Ref.	Volts	Watts	Remarks	Drawing Reference
112968	23	30	36	Semi-Concentrated Double Filament	B-12409-6
95268	24	110	36	Semi-Concentrated Single Filament for 110 Volt, D.C. System.....	B-12409-6
68971	24a	55	20	Semi-Concentrated Single Filament for 55-Volt System.....	B-12409-6
68467	25	110	25	Large Single Filament, wide angle, very short range indication.....	B-12409-6