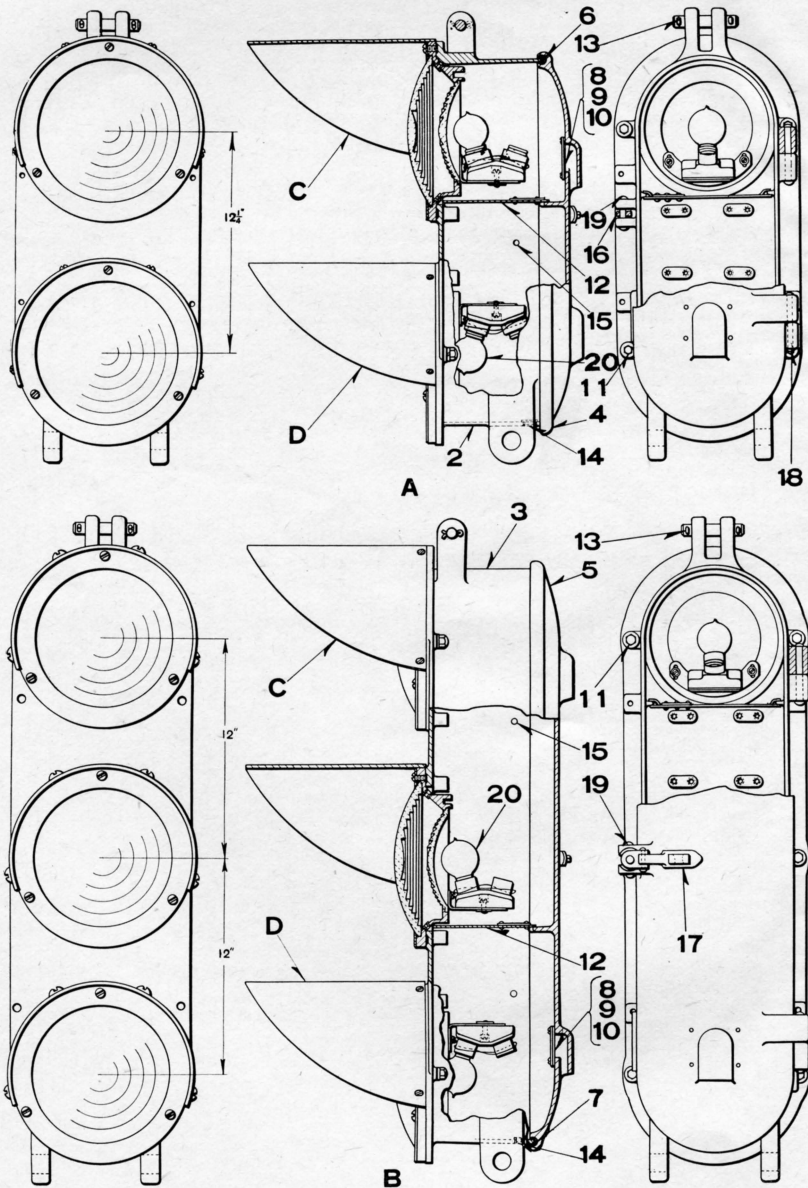


UNION SWITCH & SIGNAL CO.



TWO AND THREE-COLOR STYLE "M" SIGNAL UNITS AND DETAILS

UNION SWITCH & SIGNAL CO.

**TWO AND THREE-COLOR STYLE "M" LIGHT SIGNAL UNITS AND DETAILS**

Posts, Ladders, Pinnacles, Supporting Brackets and Instrument Cases Used with Style "M" Signals are the Same as Used with Style "R" Signals Described in Plates B-2501 to B-2520 Section "B" Catalog.

Unless Otherwise Specified all Two-Color Signal Units will be Furnished with Green Top and Red Bottom Lenses, and Three-Color Signal Units with Green Top, Yellow Middle and Red Bottom Lenses and 30-Volt, 36-Watt Lamps.

**Order by Plate, Piece, Reference and Description**

Drawing references are shown for convenience in checking material with shipping lists and invoices.

Two-Color Style "M" Light Signal Unit, Complete (Without Back-grounds and Fittings for Attaching to Post)						
Piece	Ref.	Color of Lenses		Remarks	Drawing Reference	
		Top	Bottom			
115490	A	Green	Red	.....	C-8900-3	
126106	Aa	Green	Yellow	.....	C-8900-3	
Three-Color Style "M" Light Signal Unit, Complete (Without back-grounds and Fittings for Attaching to Post)						
Piece	Ref.	Color of Lenses			Remarks	Drawing Reference
		Top	Middle	Bottom		
113782	B	Green	Yellow	Red	.....	C-8900-4
113783	Ba	Green	Red	Blank	.....	C-8900-4
114626	Bb	Green	Yellow	Blank	.....	C-8900-4
119618	Bc	Blank	Yellow	Red	.....	C-8900-4
119619	Bd	Green	Blank	Red	.....	C-8900-4
Piece	Ref.	Description			Drawing Reference	
113778	*C	Lamp Unit, complete with Green Lens (with bulb)...			C-8901-12	
113779	*Ca	Lamp Unit, complete with Yellow Lens (with bulb)...			C-8901-12	
113780	*Cb	Lamp Unit, complete with Red Lens (with bulb).....			C-8901-12	
113781	*D	Lamp Unit, complete with Red Lens for bottom light (with bulb).....			C-8901-12	
126108	*Da	Lamp Unit, complete with Yellow Lens for bottom light (with bulb).....			C-8901-12	
*NOTE:—For details of lamp units refer to Plate B-2630.						

UNION SWITCH & SIGNAL CO.

TWO AND THREE-COLOR STYLE "M" LIGHT SIGNAL UNITS AND DETAILS  
(Continued)

Posts, Ladders, Pinnacles, Supporting Brackets and Instrument Cases Used with Style "M" Signals are the Same as Used with Style "R" Signals Described in Plates B-2501 to B-2520 Section "B" Catalog.

Unless Otherwise Specified all Two-Color Signal Units will be Furnished with Green Top and Red Bottom Lenses, and Three-Color Signal Units with Green Top, Yellow Middle and Red Bottom Lenses and 30-Volt, 36-Watt Lamps.

Order by Plate, Piece, Reference and Description

Drawing references are shown for convenience in checking material with shipping lists and invoices.

Piece	Ref.	Description	Drawing Reference
114640	2	Case for Two-Color Signal Unit.....	C-8901-10
114641	2a	Case and Door, complete for Two-Color Signal Unit...	C-8900-3
113754	3	Case for Three-Color Signal Unit.....	C-8901-1
113755	3a	Case and Door, complete for Three-Color Signal Unit..	C-8900-4
89925	4	Door, complete with staple, flax packing and ventilators for Two-Color Signal Unit.....	C-8901-11
80778	5	Door, complete with staple, flax packing and ventilators for Three-Color Signal Unit.....	C-8901-4
	6	Flax Packing $\frac{3}{8}$ " Sq. 4'-1 $\frac{1}{2}$ " long, for 4.	
	7	Flax Packing $\frac{3}{8}$ " Sq. 6'-1" long, for 5.	
21918	8	Holder for ventilator screen for doors.....	B-7318-5
21919	9	Screen for ventilator for doors.....	B-7318-5
	10	Machine Screw No. 10-30 x $\frac{1}{4}$ " Rd. Hd. S. (Cad. Pl.) for securing 8 and 9 to doors.	
	11	Tap Bolt $\frac{3}{8}$ " x 1 $\frac{1}{8}$ " Hex. Hd. with plain lock washer ( $\frac{5}{32}$ " x $\frac{3}{32}$ " (Cad. Pl.) for securing lamp units to case.	
80777	12	Partition, complete.....	C-8901-4
80726	13	Pin $\frac{5}{8}$ " x 3 $\frac{1}{4}$ " with two $\frac{3}{16}$ " x 1 $\frac{1}{8}$ " cotters (Cad. Pl.) for top of case.....	B-10216-1
34340	14	Ventilator for case.....	C-7459-6
	15	Tap Bolt $\frac{3}{8}$ " x $\frac{1}{2}$ " Hex. Hd. (Cad. Pl.) with Std. Plate Washer used for plugging holes in side of case.	

UNION SWITCH & SIGNAL CO.

TWO AND THREE-COLOR STYLE "M" LIGHT SIGNAL UNITS AND DETAILS  
(Continued)

Posts, Ladders, Pinnacles, Supporting Brackets and Instrument Cases Used with Style "M" Signals are the Same as Used with Style "R" Signals Described in Plates B-2501 to B-2520 Section "B" Catalog.

Unless Otherwise Specified all Two-Color Signal Units will be Furnished with Green Top and Red Bottom Lenses, and Three-Color Signal Units with Green Top, Yellow Middle and Red Bottom Lenses and 30-Volt, 36-Watt Lamps.

Order by Plate, Piece, Reference and Description

Drawing references are shown for convenience in checking material with shipping lists and invoices.

Piece	Ref.	Description	Drawing Reference
50126	16	Eye Bolt.....	8034-64
72832	17	Hasp, complete.....	8299-66
49634	18	Pin $\frac{3}{8}$ " x $3\frac{3}{8}$ " for securing door to case.....	B-10207-1
37075	19	Pin $\frac{3}{8}$ " x $1\frac{7}{8}$ " for securing 16 to case.....	B-10207-1
112968	20	Electric Lamp, 30-volt, 36-watt (for special lamps refer to Plate B-2630).....	B-12409-6