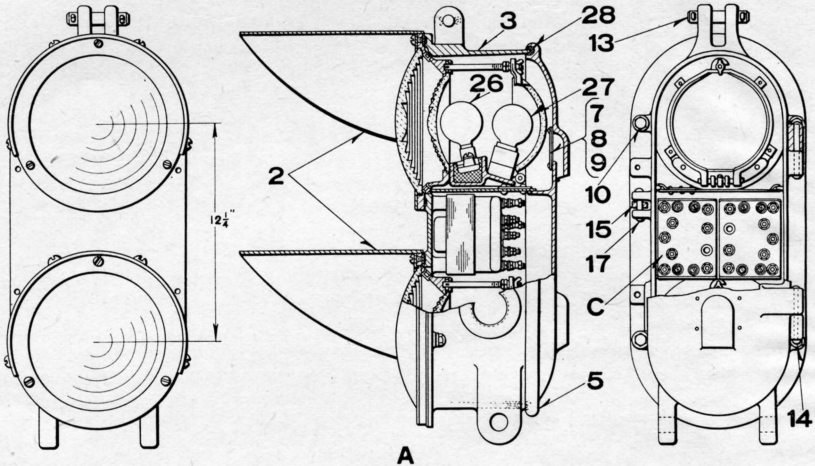
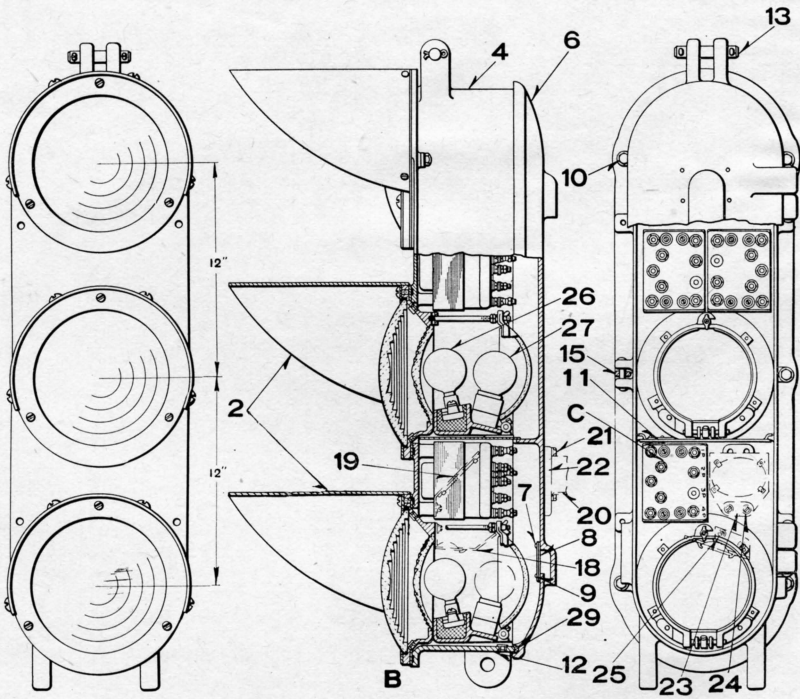


UNION SWITCH & SIGNAL CO.



A



B

TWO AND THREE-COLOR STYLE "L" A.C. LIGHT SIGNAL UNITS AND DETAILS

UNION SWITCH & SIGNAL CO.

TWO AND THREE-COLOR STYLE "L" A.C. LIGHT SIGNAL UNITS AND DETAILS

Posts, Ladders, Pinnacles, Supporting Brackets and Instrument Cases Used with Style "L" Signals are the Same as Used with Style "R" Signals Described in Plates B-2501 to B-2520 Section "B" Catalog.

Unless Otherwise Specified all Two-Color Signal Units will be Furnished with Green Top and Red Bottom Lenses, and Three-Color Signal Units with Green Top, Yellow Middle and Red Bottom Lenses, 6-Volt, 29-Watt Main Lamp and 55-Volt, 25-Watt Auxiliary or Pilot Lamp.

Backlight can be Furnished Only on Three-Color Signal Units, but is not Included Unless Mentioned in Order.

Order by Plate, Piece, Reference and Description

Drawing references are shown for convenience in checking material with shipping lists and invoices.

Style "L" Light Signal Unit, Complete (Without Backgrounds and Fittings for Attaching to Post). Specify Voltage and Frequency.									
Two-Color		Color of Lenses		Transformer			Drawing Reference		
Piece	Ref.	Top	Bottom	Volts	Frequency	Ref.			
89863	A	Yellow	Red	55-110	60 cycles	C	C-8900-2		
97163	Aa	Clear	Red	55-110	25 cycles	Ca	C-8900-2		
112355	Ab	Yellow	Green	55-110	60 cycles	Cc	C-8900-2		
112496	Ac	Red	Yellow	55-110	60 cycles	Cc	C-8900-2		
117845	Ad	Green	Red	55-110	60 cycles	C	C-8900-2		
Three-Color		Color of Lenses			Transformer			Backlight	Drawing Reference
Piece	Ref.	Top	Middle	Bott'm	Volts	Frequency	Ref.		
80838	B	Clear	Green	Red	55-110	60 cycles	C	Without	C-8900-1
80897	Ba	Clear	Blank	Red	55-110	60 cycles	C	Without	C-8900-1
81036	Bb	Blank	Green	Red	55-110	60 cycles	C	Without	C-8900-1
81037	Bc	Clear	Green	Blank	55-110	60 cycles	C	Without	C-8900-1
84128	Bd	Clear	Green	Red	55-110	25 cycles	Ca	Without	C-8900-1
89862	Be	Green	Yellow	Red	55-110	60 cycles	C	Without	C-8900-1
97312	Bf	Red	Yellow	Green	110-220	25 cycles	Cb	Without	C-8900-1
98429	Bg	Green	Yellow	Red	110-220	25 cycles	Cb	Without	C-8900-1
112354	Bh	Red	Yellow	Green	55-110	60 cycles	C	Without	C-8900-1
124090	Bj	Green	Yellow	Red	110	60 cycles	C	With	C-8900-10
116470	Bk	Green	Yellow	Red	55-110	25 cycles	Cd	With	C-8900-10

UNION SWITCH & SIGNAL CO.

TWO AND THREE-COLOR STYLE "L" A.C. LIGHT SIGNAL UNITS
AND DETAILS

(Continued)

Posts, Ladders, Pinnacles, Supporting Brackets and Instrument Cases Used with Style "L" Signals are the Same as Used with Style "R" Signals Described in Plates B-2501 to B-2520 Section "B" Catalog.

Unless Otherwise Specified all Two-Color Signal Units will be Furnished with Green Top and Red Bottom Lenses, and Three-Color Signal Units with Green Top, Yellow Middle and Red Bottom Lenses, 6-Volt, 29-Watt Main Lamp and 55-Volt, 25-Watt Auxiliary or Pilot Lamp.

Backlight can be Furnished Only on Three-Color Signal Units, but is not Included Unless Mentioned in Order.

Order by Plate, Piece, Reference and Description

Drawing references are shown for convenience in checking material with shipping lists and invoices.

Piece	Ref.	Description	Drawing Reference
75418	C	Light Transformer, complete (using 1-P, 2-P and 4-P) 110-volts, 60 cycles.....	C-8605-5
80799	Ca	Light Transformer, complete (using 1-P, 2-P and 4-P) 55/110-volts, 25 cycles.....	C-8605-5
97215	Cb	Light Transformer, complete (using 1-P, 2-P and 4-P) 110/220-volts, 25 cycles.....	C-8605-5
112385	Cc	Light Transformer, complete (using 1-P, 2-P, 3-P and 4-P) 110-volts, 60 cycles.....	C-8605-5
124875	Cd	Light Transformer, complete (using 1-P, 3-P and 4-P) 55/110-volts, 25 cycles.....	C-8605-5
71193	*2	Lamp Unit, complete with Red Lens (with bulbs)....	C-8901-2
71210	*2a	Lamp Unit, complete with Yellow Lens (with bulbs) ..	C-8901-2
71208	*2b	Lamp Unit, complete with Green Lens (with bulbs) ..	C-8901-2
71209	*2c	Lamp Unit, complete with Clear Lens (with bulbs)...	C-8901-2
116430	*2d	Lamp Unit, complete with Red Lens (with bulbs) arranged for backlight.....	C-8901-2
		*NOTE:—For details of lamp units refer to Plate B-2620.	
89969	3	Case for 2-Color Signal Unit.....	C-8901-10
89978	3a	Case and Door, complete for 2-Color Signal Unit.....	C-8900-2
116468	4	Case for 3-Color Signal Unit.....	C-8901-1

UNION SWITCH & SIGNAL CO.

TWO AND THREE-COLOR STYLE "L" A.C. LIGHT SIGNAL UNITS
AND DETAILS

(Continued)

Posts, Ladders, Pinnacles, Supporting Brackets and Instrument Cases Used with Style "L" Signals are the Same as Used with Style "R" Signals Described in Plates B-2501 to B-2520 Section "B" Catalog.

Unless Otherwise Specified all Two-Color Signal Units will be Furnished with Green Top and Red Bottom Lenses, and Three-Color Signal Units with Green Top, Yellow Middle and Red Bottom Lenses, 6-Volt, 29-Watt Main Lamp and 55-Volt, 25-Watt Auxiliary or Pilot Lamp.

Backlight can be Furnished Only on Three-Color Signal Units, but is not Included Unless Mentioned in Order.

Order by Plate, Piece, Reference and Description

Drawing references are shown for convenience in checking material with shipping lists and invoices.

Piece	Ref.	Description	Drawing Reference
80798	4a	Case and Door, complete for 3-Color Signal Unit.....	C-8900-1
116469	4b	Case and Door, complete for 3-Color Signal Unit (arranged for backlight).....	C-8900-10
89925	5	Door, complete with staple, flax packing and ventilators for 2-Color Signal Unit.....	C-8901-11
80778	6	Door, complete with staple, flax packing and ventilators for 3-Color Signal Unit.....	C-8901-4
116415	6a	Door, complete with staple, flax packing and ventilators for 3-Color Signal Unit arranged for backlight.	C-8901-33
21918	7	Holder for ventilator screen for doors.....	B-7318-5
21919	8	Screen for ventilator for doors.....	B-7318-5
	9	Machine Screw No. 10-30 x 1/4" Rd. Hd. S. (Cad. Pl.) for securing 7 and 8 to doors.	
	10	Tap Bolt 3/8" x 1 1/8" Hex. Hd. (Cad. Pl.) with plain lock washer (5/32" x 3/32") for securing lamp units to case.	
80777	11	Partition, complete.....	C-8901-4
34340	12	Ventilator for case.....	C-7459-6
80726	13	Pin 5/8" x 3 1/2" with two 3/16" x 1 1/8" Cotters (Cad. Pl.) for top of case.....	B-10216-1
49634	14	Pin 3/8" x 3 3/8" for securing door to case.....	B-10207-1
50126	15	Eye Bolt.....	8034-64

UNION SWITCH & SIGNAL CO.

TWO AND THREE-COLOR STYLE "L" A.C. LIGHT SIGNAL UNITS
AND DETAILS

(Continued)

Posts, Ladders, Pinnacles, Supporting Brackets and Instrument Cases Used with Style "L" Signals are the Same as Used with Style "R" Signals Described in Plates B-2501 to B-2520 Section "B" Catalog.

Unless Otherwise Specified all Two-Color Signal Units will be Furnished with Green Top and Red Bottom Lenses, and Three-Color Signal Units with Green Top, Yellow Middle and Red Bottom Lenses, 6-Volt, 29-Watt Main Lamp and 55-Volt, 25-Watt Auxiliary or Pilot Lamp.

Backlight can be Furnished Only on Three-Color Signal Units, but is not Included Unless Mentioned in Order.

Order by Plate, Piece, Reference and Description

Drawing references are shown for convenience in checking material with shipping lists and invoices.

Piece	Ref.	Description	Drawing Reference
72832	16	Hasp, complete (not shown).....	8299-66
37075	17	Pin $\frac{3}{8}$ " x $1\frac{7}{8}$ " for securing 15 to case.....	B-10207-1
116443	18	Backlight Lens Support, complete with lens.....	C-8901-34
116445	19	Reflector Support, complete with reflector.....	C-8901-34
116426	20	Hood for backlight.....	C-8901-33
	21	Tap Bolt $\frac{1}{4}$ "-20 x $\frac{3}{4}$ " Hex. Hd. with plain lock washer (Cad. Pl.)	
116348	22	Lens for backlight.....	8468-33
116440	23	Washer for reflector.....	11893-144
	24	Machine Screw No. 14-24 x $\frac{1}{2}$ " Fil. Hd. S. with plain lock washer (Cad. Pl.) for securing 19 to case.	
	25	Machine Screw No. 10-30 x $\frac{3}{8}$ " Fil. Hd. S. with No. 10 plain lock washer (Cad. Pl.) for securing 18 to case.	
80837	26	Electric Lamp (Main Lamp) 6-volt, 29-Watt.....	B-12409-10
68468	27	Electric Lamp (Auxiliary or Pilot) 55-volt, 25-watt...	B-12409-6
	28	Flax Packing, $\frac{3}{8}$ " Sq. 4'-1 $\frac{1}{2}$ " long, for 5.	
	29	Flax Packing, $\frac{3}{8}$ " Sq. 6'-1" long, for 6.	