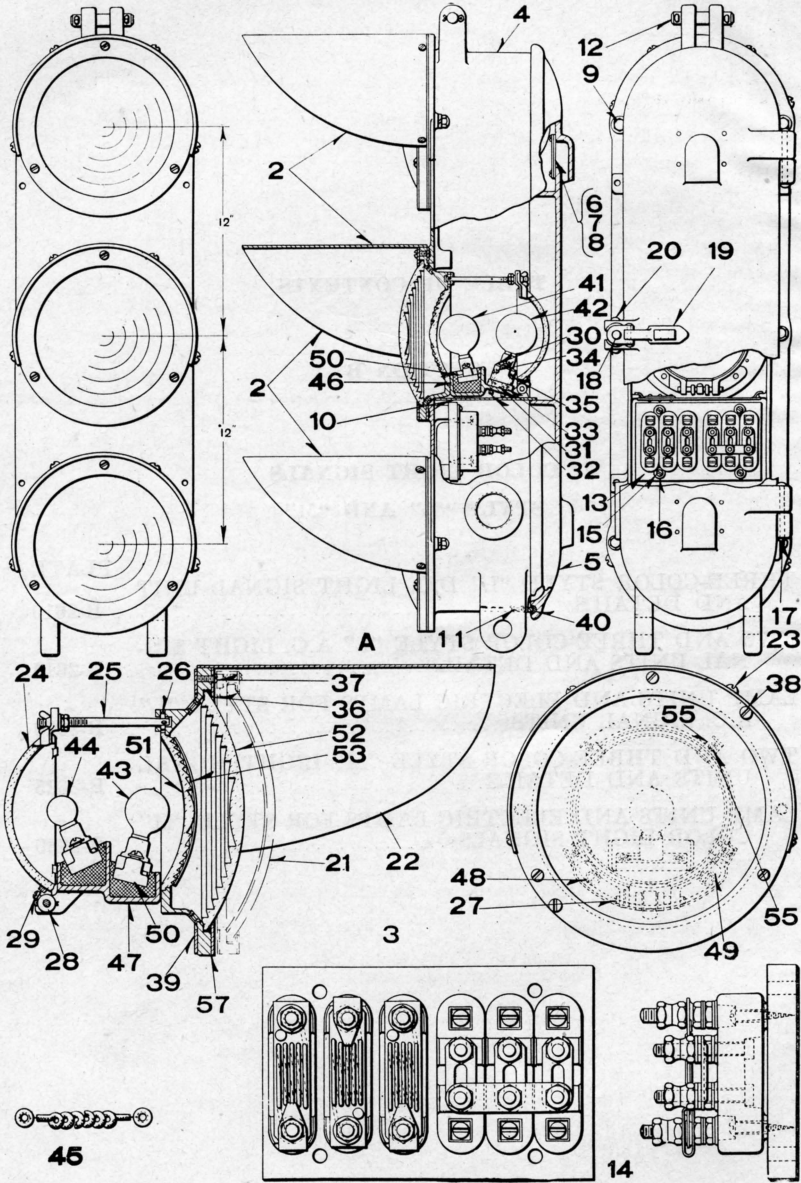


UNION SWITCH & SIGNAL CO.



THREE-COLOR STYLE "L" D.C. LIGHT SIGNAL UNITS AND DETAILS

UNION SWITCH & SIGNAL CO.

THREE-COLOR STYLE "L" D.C. LIGHT SIGNAL UNITS AND DETAILS

Posts, Ladders, Pinnacles, Supporting Brackets and Instrument Cases Used with Style "L" Signals are the Same as Used with Style "R" Signals Described in Plates B-2501 to B-2520 Section "B" Catalog.

Unless Otherwise Specified all Signal Units will be Furnished with Green Top, Yellow Middle and Red Bottom Lenses, 6-Volt, 29-Watt Main Lamp and 55-Volt, 25-Watt Auxiliary or Pilot Lamp.

Order by Plate, Piece, Reference and Description

Drawing references are shown for convenience in checking material with shipping lists and invoices.

Three-Color, D.C. Style "L" Light Signal Unit, Complete (Without Backgrounds and Fittings for Attaching to Post)						
Piece	Ref.	Color of Lenses			Remarks	Drawing Reference
		Top	Middle	Bottom		
93925	A	Green	Yellow	Red	{ Lamp Units Ref. 3 and { Terminal Board Ref. 14.	C-8900-7
93924	Aa	Green	Blank	Red	{ Lamp Units Ref. 3 and { Terminal Board Ref. 14.	C-8900-7
90260	Ab	Clear	Green	Red	{ Lamp Units Ref. 2 and { Terminal Board Ref. 13.	C-8900-7
Piece	Ref.	Description			Drawing Reference	
71227	2	Lamp Unit, complete with Red Lens (with bulbs) . . .			C-8901-2	
71226	2a	Lamp Unit, complete with Green Lens (with bulbs) . . .			C-8901-2	
71228	2b	Lamp Unit, complete with Clear Lens (with bulbs) . . .			C-8901-2	
71225	2c	Lamp Unit, complete with Yellow Lens (with bulbs) . . .			C-8901-2	
97460	3	Lamp Unit, complete with Red Lens (with bulbs)			C-8901-26	
97462	3a	Lamp Unit, complete with Green Lens (with bulbs) . . .			C-8901-26	
97461	3b	Lamp Unit, complete with Yellow Lens (with bulbs) . . .			C-8901-26	
116468	4	Case for 3-Color Signal Unit			C-8901-1	
80798	4a	Case and Door, complete for 3-Color Signal Unit			C-8900-1	
80778	5	Door, complete with staple, flax packing and ventilators for 3-Color Signal Unit			C-8901-4	
21918	6	Holder for Ventilator Screen for Doors			B-7318-5	

UNION SWITCH & SIGNAL CO.

THREE-COLOR STYLE "L" D.C. LIGHT SIGNAL UNITS AND DETAILS
(Continued)

Posts, Ladders, Pinnacles, Supporting Brackets and Instrument Cases Used with Style "L" Signals are the Same as Used with Style "R" Signals Described in Plates B-2501 to B-2520 Section "B" Catalog.

Unless Otherwise Specified all Signal Units will be Furnished with Green Top, Yellow Middle and Red Bottom Lenses, 6-Volt, 29-Watt Main Lamp and 55-Volt, 25-Watt Auxiliary or Pilot Lamp.

Order by Plate, Piece, Reference and Description

Drawing references are shown for convenience in checking material with shipping lists and invoices.

Piece	Ref.	Description	Drawing Reference
21919	7	Screen for Ventilator for Door.....	B-7318-5
	8	Machine Screw No. 10-30 x 1/4" Rd. Hd. S. (Cad. Pl.) for attaching 6 and 7 to doors.	
	9	Tap Bolt 3/8" x 1 1/8" Hex. Hd. (Cad. Pl.) with plain lock washer (3/32" x 3/32") for securing lamp units to case..	C-8901-6
80777	10	Partition, complete.....	C-8901-6
34340	11	Ventilator for case.....	C-7459-6
80726	12	Pin 5/8" x 3 1/4" with two 3/16" x 1 1/8" cotters (Cad. Pl.) for top of case.....	B-10216-1
90258	13	Terminal Board, complete for A and Aa.....	9968-517
97817	14	Terminal Board, complete for Ab.....	9968-587
	15	Machine Screw No. 14-24 x 1" Fil. Hd. S. (Cad. Plated) for securing terminal board 13 and 14 to case.....	
84	16	Washer for 15.....	7828-6
49634	17	Pin 3/8" x 3 3/8" for securing door to case.....	B-10207-1
50126	18	Eye Bolt.....	8034-64
72832	19	Hasp, complete.....	8299-66
37075	20	Pin 3/8" x 1 7/8" for securing 18 to case.....	B-10207-1
90897	21	Deflecting Prism, complete (10° spread).....	C-8901-8
90898	21a	Deflecting Prism, complete (20° spread).....	C-8901-8
65898	22	Hood for lamp unit.....	C-8842-15
	23	Machine Screw No. 10-30 x 1/4" Rd. Hd. S. (Cad. Pl.) for 22.	

UNION SWITCH & SIGNAL CO.

THREE-COLOR STYLE "L" D.C. LIGHT SIGNAL UNITS AND DETAILS
(Continued)

Posts, Ladders, Pinnacles, Supporting Brackets and Instrument Cases Used with Style "L" Signals are the Same as Used with Style "R" Signals Described in Plates B-2501 to B-2520 Section "B" Catalog.

Unless Otherwise Specified all Signal Units will be Furnished with Green Top, Yellow Middle and Red Bottom Lenses, 6-Volt, 29-Watt Main Lamp and 55-Volt, 25-Watt Auxiliary or Pilot Lamp.

Order by Plate, Piece, Reference and Description

Drawing references are shown for convenience in checking material with shipping lists and invoices.

Piece	Ref.	Description	Drawing Reference
76716	24	Reflector, complete.....	C-8842-11
71198	25	Eye Bolt, complete with nuts.....	8034-150
71199	26	Pin with $\frac{1}{16}$ " x $\frac{3}{4}$ " cotter (Cad. Pl.) for 25.....	8097-992
71195	27	Pin $\frac{1}{4}$ " x $2\frac{9}{32}$ " with $\frac{1}{16}$ " x 1" cotter (Cad. Pl.).....	8063-130
71196	28	Separator.....	8072-539
71197	29	Screw.....	8098-1014
71200	30	Lamp Socket, complete.....	12415-1
71229	31	Board for 30.....	12443-15
	32	Machine Screw No. 8-36 x $\frac{1}{2}$ " Fil. Hd. Br. for 31.	
17376	33	Washer for 32.....	7828-66
	34	Wood Screw No. 6 x $\frac{7}{8}$ " Rd. Hd. S. for securing 30 to 31.	
34744	35	Washer for 34.....	7828-69
71187	36	Lens Ring.....	7436-106
	37	Machine Screw No. 10-30 x $\frac{3}{8}$ " Rd. Hd. S. (Cad. Pl.) for 36.	
	38	Machine Screw No. 14-24 x $\frac{3}{8}$ " Rd. Hd. Br. used to plug holes in lens housing when deflecting prism is not used.	
	39	Gasket (Rubber Tape) 2' 6" long.	
	40	Flax Packing $\frac{3}{8}$ " Sq. 6' 1" long for door.	

UNION SWITCH & SIGNAL CO.

THREE-COLOR STYLE "L" D.C. LIGHT SIGNAL UNITS AND DETAILS

(Continued)

Posts, Ladders, Pinnacles, Supporting Brackets and Instrument Cases Used with Style "L" Signals are the Same as Used with Style "R" Signals Described in Plates B-2501 to B-2520 Section "B" Catalog.

Unless Otherwise Specified all Signal Units will be Furnished with Green Top, Yellow Middle and Red Bottom Lenses, 6-Volt, 29-Watt Main Lamp and 55-Volt, 25-Watt Auxiliary or Pilot Lamp.

Order by Plate, Piece, Reference and Description

Drawing references are shown for convenience in checking material with shipping lists and invoices.

Piece	Ref.	Description	Drawing Reference
80837	41	Electric Lamp (Main Lamp 6-Volt, 29-Watt).....	B-12409-10
68468	42	Electric Lamp (Auxiliary or Pilot Lamp), 55-Volt, 25-Watt.....	B-12409-6
90579	43	Electric Lamp (Main Lamp), 7-5-8-Volts, 15-Watt...	B-12409-12
97497	44	Electric Lamp (Auxiliary or Pilot Lamp), 6-8-Volts, 5-Watt.....	B-12409-11
97816	45	Resistance Coil, complete.....	9065-146
		<p>"The lamp units Refs. 2 and 3 shown are assembled by trained workmen with specially designed equipment which can be handled satisfactorily only at the factory. This factory adjustment makes possible the maximum efficiency and uniformity obtained with these signals, and hence the detail parts involved in the assembly are not listed separately. Units in need of repairs should be sent to Swissvale. Do not change either the outer or the inner lens in any unit without sending to the factory for adjustment."</p>	