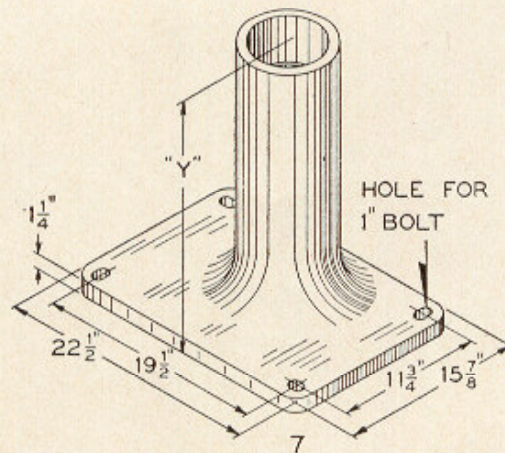
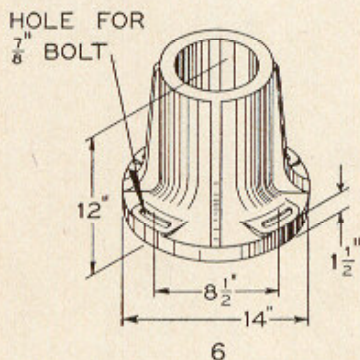
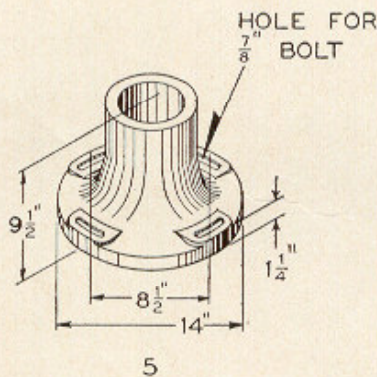
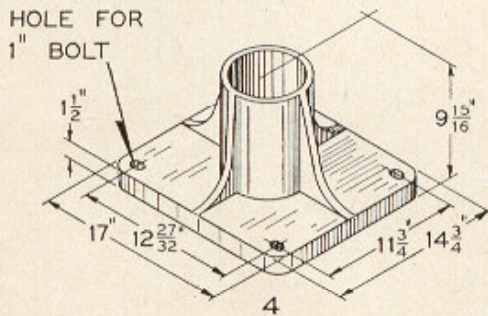
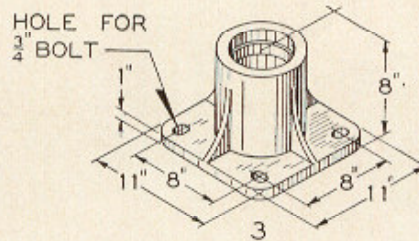
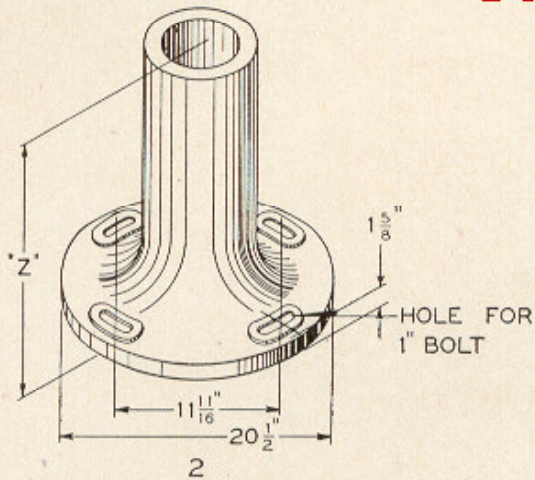


# ZCG UTILITY SCRAP UNION MO 63084



**Bases (Leaded) for Signals**

**Leaded Bases for Signals****ZCG UTILITY SCRAP  
UNION MO 63084**

Order by Plate, Piece, Reference and Abbreviated  
Description Given in Heavy Face Type Only

Piece	Ref.	Description	Drawing Reference
131006	2	Base. "Z" dimension 22", for 5" Pipe ( $5\frac{9}{16}$ " O.D.) For Ground Mounting (Pat. No. T-131006) (Most commonly used).....	C-6782-11
181229	2a	Base. "Z" dimension 16", for 5" Pipe ( $5\frac{9}{16}$ " O.D.) For Ground Mounting (Pat. No. T-181229).....	C-6782-13
154839	2b	Base. "Z" dimension 12", for 5" Casing ( $5\frac{1}{4}$ " O.D.) For Ground Mounting (Pat. No. T-154839).....	C-6782-13
44938	2c	Base. "Z" dimension 22", for 6" Pipe. For Ground Mounting (Pat. No. T-10710A).....	C-6782-1
193563	3	Base for 4" Pipe. For Ground Mounting (Pat. No. T-193563A).....	C-6782-15
	4	Base for 5" Casing ( $5\frac{1}{4}$ " O.D.) For Ground and Bridge Mounting.....	C-6782-12
83864	5	Base for 5" Pipe. For Instrument Case Mounting (Pat. No. 13851).....	C-3231-2
87753	5a	Base for 5" Casing ( $5\frac{1}{4}$ " O.D.) For Instrument Case Mounting (Pat. No. T-2889).....	C-3125-1
115264	6	Base for 5" Pipe ( $5\frac{9}{16}$ " O.D.) For Instrument Case Mounting (Pat. No. T-115264).....	C-3231-2
61092	7	Base. "Y" dimension 22", for 5" Pipe ( $5\frac{9}{16}$ " O.D.) For Bracket Post Mounting (Pat. No. T-13839B) (Most commonly used).....	C-7583-1
182226	7a	Base. "Y" dimension 16", for 5" Pipe ( $5\frac{9}{16}$ " O.D.) For Bracket Post Mounting (Pat. No. 182226)...	C-6782-13
133716	7b	Base. "Y" dimension 22", for 6" Pipe. For Bracket Post Mounting (Pat. No. T-133716).....	C-7583-1