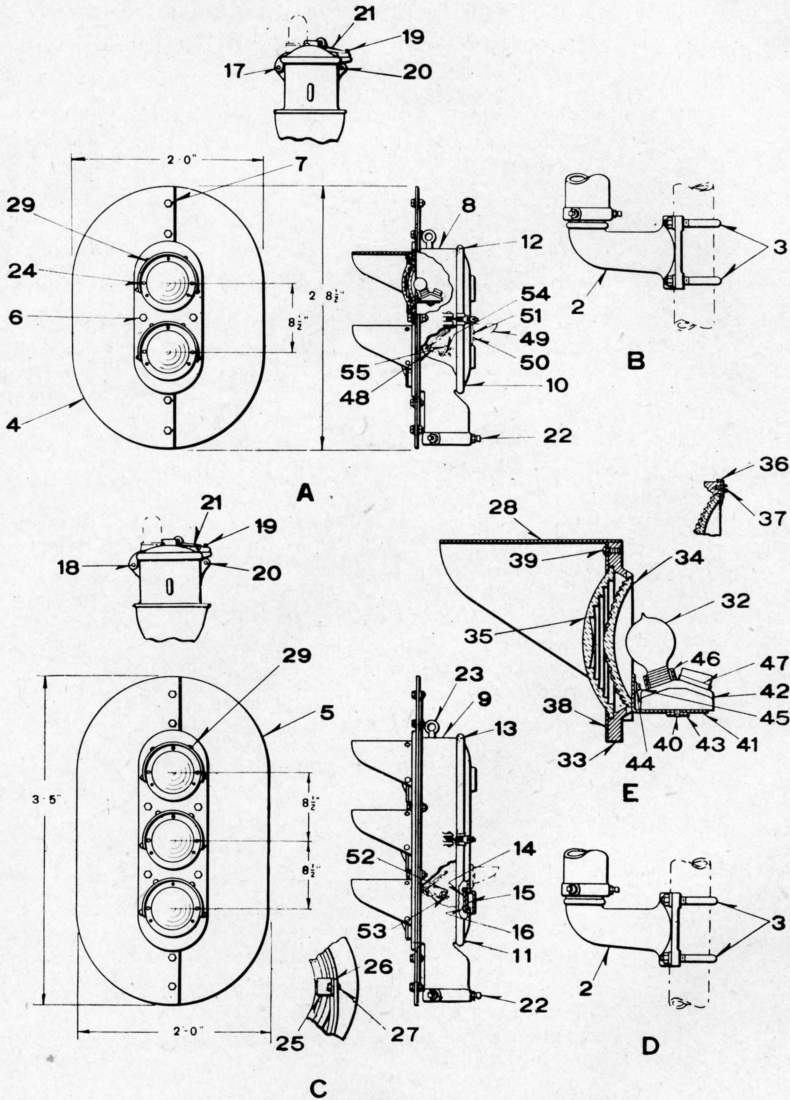


UNION SWITCH & SIGNAL CO.



TWO AND THREE-COLOR STYLE "N" LIGHT SIGNAL UNITS AND MOUNTING FITTINGS

UNION SWITCH & SIGNAL CO.

**TWO AND THREE-COLOR STYLE "N" LIGHT SIGNAL UNITS AND FITTINGS**

Unless Otherwise Specified, all Two-Color Signal Units will be Furnished with Green (Top) and Red (Bottom) Lenses, and Three-Color Signal Units with Green (Top), Yellow (Middle) and Red (Bottom) Lenses, and with 30-Volt, 36-Watt Lamps

Backlight can be Furnished on all Signals, but is not Included Unless Mentioned in Orders

Order by Plate, Piece, Reference and Description

Drawing references are shown for convenience in checking material with shipping lists and invoices.

Piece	Ref.	Description		Drawing Reference		
68241	A	Two-Color Style "N" Signal Unit, complete with Backgrounds for mounting direct on top of 4" Pipe.....		B-10325-28		
<b>Two-Color Style "N" Signal Unit, Complete, for Mounting Direct on 4" Pipe (Without Backgrounds)</b>						
Piece	Ref.	Color of Lenses		Remarks	Backlight	Drawing Reference
		Top	Bottom			
68243	Aa	Green	Red	For Elevated Structures using marine shell receptacle.	without	C-8900-6
68244	Ab	Yellow	Red		without	C-8900-6
68245	Ac	Clear	Red		without	C-8900-6
110948	Ad	Yellow	Red		without	C-8900-6
113031	Ae	Red	Green		without	C-8900-6
119691	Af	Green	Yellow		without	C-8900-6
	Ag	Green	Red		with	C-8900-
Piece	Ref.	Description		Drawing Reference		
68242	B	Two-Color Style "N" Signal Unit, complete with Backgrounds and Fittings, using Bracket as shown for applying to 4" Pipe.....		B-10325-28		
	Ba	Two-Color Style "N" Signal Unit, complete with Fittings, using Bracket for applying to 4" Pipe (without Backgrounds).....				
68242	Bb	Two-Color Style "N" Signal Unit, complete with Backgrounds and Fittings, using Bracket for applying to 5" Pipe.....		B-10325-28		

UNION SWITCH & SIGNAL CO.

TWO AND THREE-COLOR STYLE "N" LIGHT SIGNAL UNITS AND FITTINGS  
(Continued)

Unless Otherwise Specified, all Two-Color Signal Units will be Furnished with Green (Top) and Red (Bottom) Lenses, and Three-Color Signal Units with Green (Top), Yellow (Middle) and Red (Bottom) Lenses, and with 30-Volt, 36-Watt Lamps

Backlight can be Furnished on all Signals, but is not Included Unless Mentioned in Orders

Order by Plate, Piece, Reference and Description

Drawing references are shown for convenience in checking material with shipping lists and invoices.

Piece	Ref.	Description			Drawing Reference		
68563	Bc	Two-Color Style "N" Signal Unit, complete with Fittings, using Bracket for applying to 5" Pipe (without Backgrounds).....			B-10325-28		
	C	Three-Color Style "N" Signal Unit, complete with Backgrounds for mounting direct on 4" Pipe.....			B-10325-25		
<b>Three-Color Style "N" Signal Unit, Complete, for Mounting Direct on 4" Pipe (Without Backgrounds)</b>							
Piece	Ref.	Color of Lenses			Remarks	Backlight	Drawing Reference
		Top	Middle	Bottom			
68110	Ca	Green	Yellow	Red		without	C-8900-5
68111	Cb	Blank	Yellow	Red		without	C-8900-5
77174	Cc	Green	Red	Blank		without	C-8900-5
85324	Cd	Green	Yellow	Blank		without	C-8900-5
98834	Ce	Green	Yellow	Red	For Elevated Structure	without	C-8900-5
112670	Cf	Yellow	Red	Blank		without	C-8900-5
113030	Cg	Red	Green	Red		without	C-8900-5
113923	Ch	Green	Red	Blank	For Elevated Structure	without	C-8900-5
116524	Cj	Blank	Yellow	Red	For Elevated Structure	without	C-8900-5
	Ck	Green	Yellow	Red		with	C-8900-

UNION SWITCH & SIGNAL CO.

TWO AND THREE-COLOR STYLE "N" LIGHT SIGNAL UNITS AND FITTINGS  
(Continued)

Unless Otherwise Specified, all Two-Color Signal Units will be Furnished with Green (Top) and Red (Bottom) Lenses, and Three-Color Signal Units with Green (Top), Yellow (Middle) and Red (Bottom) Lenses, and with 30-Volt, 36-Watt Lamps  
Backlight can be Furnished on all Signals, but is not Included Unless Mentioned in Orders

Order by Plate, Piece, Reference and Description

Drawing references are shown for convenience in checking material with shipping lists and invoices.

Piece	Ref.	Description	Drawing Reference
68541	D	Three-Color Style "N" Signal Unit, complete with Backgrounds and Fittings, using Bracket as shown for applying to 4" Pipe.....	B-10325-25
	Da	Three-Color Style "N" Signal Unit, complete with Fittings, using Bracket for applying to 4" Pipe (without Backgrounds).....	B-10325-25
68541	Db	Three-Color Style "N" Signal Unit, complete with Backgrounds and Fittings, using Bracket for applying to 5" Pipe.....	B-10325-25
	Dc	Three-Color Style "N" Signal Unit, complete with Fittings, using Bracket for applying to 5" Pipe (without Backgrounds).....	B-10325-25
68018	E	Lamp Unit, complete, with Green Lens (with bulb)..	C-8901-17
68019	Ea	Lamp Unit, complete, with Yellow Lens (with bulb)..	C-8901-17
68020	Eb	Lamp Unit, complete, with Red Lens (with bulb)...	C-8901-17
98831	Ec	Lamp Unit, complete, with Green Lens for Elevated Structure (with bulb).....	C-8901-17
98832	Ed	Lamp Unit, complete with Yellow Lens for Elevated Structure (with bulb).....	C-8901-17
98833	Ee	Lamp Unit, complete with Red Lens for Elevated Structure (with bulb).....	C-8901-17
68562	2	Bracket for mounting Style "N" Signal Units on side of 4" or 5" Pipe Post.....	C-8034-15
54865	3	"U" Bolt, $\frac{3}{4}$ " with Hex. Nuts and plain Lock Washers for 4" Pipe.....	8782-102
43931	3a	"U" Bolt, $\frac{3}{4}$ " with Hex. Nuts and plain Lock Washers, for 5" Pipe.....	8782-66
68250	4	Background, (half) complete, for Two-Color Signal Unit.....	C-8901-20



UNION SWITCH & SIGNAL CO.

TWO AND THREE-COLOR STYLE "N" LIGHT SIGNAL UNITS AND FITTINGS  
(Continued)

Unless Otherwise Specified, all Two-Color Signal Units will be Furnished with Green (Top) and Red (Bottom) Lenses, and Three-Color Signal Units with Green (Top), Yellow (Middle) and Red (Bottom) Lenses, and with 30-Volt, 36-Watt Lamps

Backlight can be Furnished on all Signals, but is not Included Unless Mentioned in Orders

Order by Plate, Piece, Reference and Description

Drawing references are shown for convenience in checking material with shipping lists and invoices.

Piece	Ref.	Description	Drawing Reference
68573	5	Background, (half) complete, for Three-Color Signal Unit.....	C-8901-16
	6	Bolt $\frac{5}{16}$ " x $1-\frac{3}{8}$ " Hex. Hd. (Cadmium Plated) with plain Lock Washer and Hex. Nut (Cadmium Plated) for attaching Backgrounds to Case.	
	7	Bolt $\frac{1}{4}$ " x $\frac{5}{8}$ " Hex. Hd. (Cadmium Plated) with two Plate Washers (Cadmium Plated), plain Lock Washer and Hex. Nut (Cadmium Plated) for holding Backgrounds together.	
68246	8	Case for Two-Color Signal Unit.....	C-8901-18
72017	8a	Case and Door, complete for Two-Color Signal Unit.	C-8900-6
68017	9	Case for Three-Color Signal Unit.....	C-8901-13
75308	9a	Case and Door complete for Three-Color Signal Unit	C-8900-5
68248	10	Door, complete with Flax Packing, Staple and Ventilators for Two-Color Signal Unit.....	C-8901-19
68252	11	Door, complete with Flax Packing, Staple and Ventilators for Three-Color Signal Unit.....	C-8901-14
	12	Flax Packing, $\frac{3}{8}$ " Sq. x $3'-5\frac{1}{4}$ " long for 10.	
	13	Flax Packing $\frac{3}{8}$ " Sq. x $4'-10"$ long for 11.	
21918	14	Ventilator Screen Holder for Doors.....	B-7318-5
21919	15	Ventilator Screen only, for Doors.....	B-7318-5
	16	Machine Screw No. 10-30 x $\frac{1}{4}$ " Rd. Hd. S. (Cadmium Plated) for attaching 14 and 15 to Doors.	
5873	17	Pin $\frac{3}{8}$ " x $2-\frac{5}{16}$ " for fastening Door 10 to Case 8.....	B-10207-1
49634	18	Pin $\frac{3}{8}$ " x $3-\frac{3}{8}$ " for fastening Door 11 to Case 9.....	B-10207-1

UNION SWITCH & SIGNAL CO.

TWO AND THREE-COLOR STYLE "N" LIGHT SIGNAL UNITS AND FITTINGS  
(Continued)

Unless Otherwise Specified, all Two-Color Signal Units will be Furnished with Green (Top) and Red (Bottom) Lenses, and Three-Color Signal Units with Green (Top), Yellow (Middle) and Red (Bottom) Lenses, and with 30-Volt, 36-Watt Lamps

Backlight can be Furnished on all Signals, but is not Included Unless Mentioned in Orders

Order by Plate, Piece, Reference and Description

Drawing references are shown for convenience in checking material with shipping lists and invoices.

Piece	Ref.	Description	Drawing Reference
50126	19	Eye Bolt.....	8034-64
37075	20	Pin $\frac{3}{8}$ " x $1\frac{7}{8}$ " for fastening Eye Bolt 19 to Lugs on Case.....	B-10207-1
72832	21	Hasp, complete.....	8299-66
	22	Set Screw $\frac{5}{8}$ " x $1\frac{1}{2}$ " I. (Cadmium Plated) with thin Hex. Nut (Cadmium Plated).	
31092	23	Eye Bolt $\frac{1}{2}$ " with Hex. Nut Sher.....	8034-104
	24	Tap Bolt $\frac{1}{4}$ " -20 x $1\frac{1}{2}$ " Hex. Hd. (Cadmium Plated) with plain Lock Washer.	
68109	25	Wire Guide.....	11893-65
68414	26	Insulation.....	8750-2047
	27	Machine Screw No. 10-30 x $\frac{1}{2}$ " Rd. Hd. S. (Cadmium Plated) with Hex. Nut 27a for securing 25 and 26 to Case.	
40058	27a	Hex. Nut for 27.....	8265-126
68505	28	Hood.....	C-8901-16
	29	Machine Screw No. 10-30 x $\frac{1}{4}$ " Rd. Hd. S. (Cadmium Plated) for securing 28 to Lens Housing.	
112718	30	Cover (used for blank space) not shown.....	7632-220
112719	30a	Cover, with Hood, complete (used for blank space) not shown.....	7632-220
	31	Tap Bolt, $\frac{1}{4}$ " -20 x 1" Hex. Hd. (Cadmium Plated) with plain Lock Washer for securing 30 and 31 to Case.	
112968	32	Electric Lamp, 30-volt, 36-watt.....	B- 1409-6
68489	33	Lens Housing.....	C-8901-15

UNION SWITCH & SIGNAL CO.

TWO AND THREE-COLOR STYLE "N" LIGHT SIGNAL UNITS AND FITTINGS  
(Continued)

Unless Otherwise Specified, all Two-Color Signal Units will be Furnished with Green (Top) and Red (Bottom) Lenses, and Three-Color Signal Units with Green (Top), Yellow (Middle) and Red (Bottom) Lenses, and with 30-Volt, 36-Watt Lamps

Backlight can be Furnished on all Signals, but is not Included Unless Mentioned in Orders

Order by Plate, Piece, Reference and Description

Drawing references are shown for convenience in checking material with shipping lists and invoices.

Piece	Ref.	Description	Drawing Reference
71331	34	Green Back Lens, 5½"	B-8276-23
68162	34a	Yellow Back Lens, 5½"	B-8276-23
71329	34b	Red Back Lens, 5½"	B-8276-23
71330	34c	Clear Back Lens, 5½"	B-8276-23
68507	35	Clear Front Lens, 6⅜"	B-8276-30
76735	36	Clip for holding Back Lens in Lens Housing. (Not shown)	11893-31
	37	Machine Screw No. 10-30 x ¼" Fil. Hd. Br. for securing 36 to 33.	
68508	38	Lens Ring	7436-112
	39	Machine Screw No. 10-30 x ⅜" Rd. Hd. S. (Cadmium Plated) for fastening 38 to 33.	
	40	Machine Screw No. 10-30 x ⅝" Fil. Hd. Br. for 43.	
111760	41	Lamp Support	11893-121
87187	42	Lamp Socket. (Lamp Grip Receptacle)	B-9954-11
87214	42a	Lamp Socket. (Marine Shell Receptacle) for Elevated Structure	B-9954-11
111757	43	Locking Plate	9999-119
26381	44	Washer for 45	7826-78
	44a	Lock Washer No. 10 Plain S. (⅛" x ⅜") for 45.	
	45	Machine Screw No. 10-30 x ½" Fil. Hd. Br. for 41.	
122102	46	Insulating Tubing for 42 and 42a	B-10277-1
	47	No. 32 Rubber Band for 42 and 42a.	

UNION SWITCH & SIGNAL CO.

**TWO AND THREE-COLOR STYLE "N" LIGHT SIGNAL UNITS AND FITTINGS**  
(Continued)

Unless Otherwise Specified all Two-Color Signal Units will be Furnished with Green (Top) and Red (Bottom) Lenses, and Three-Color Signal Units with Green (Top), Yellow (Middle) and Red (Bottom) Lenses, and with 30-Volt, 36-Watt Lamps

Backlight can be Furnished on all Signals, but is not Included Unless Mentioned in Orders

**Order by Plate, Piece, Reference and Description**

Drawing references are shown for convenience in checking material with shipping lists and invoices.

Piece	Ref.	Description	Drawing Reference
124129	48	Reflector Support, complete with Lens and Reflector	C-8901-39
126199	48a	Reflector Support, complete with Reflector. (No Lens) .....	C-8901-39
	49	Backlight Hood .....	C-8901-
116348	50	Lens .....	8468-33
	51	Tap Bolt, $\frac{1}{4}$ "-20 x $\frac{3}{4}$ " Hex. Hd. (Cadmium Plated) with plain Lock Washer for 49.	
124127	52	Bracket .....	10914-38
	53	Machine Screw No. 14-24 x $\frac{3}{8}$ " Fil. Hd. S. (Cadmium Plated) for 52.	
	54	Machine Screw No. 14-24 x $\frac{3}{8}$ " Fil. Hd. S. (Cadmium Plated) with plain Lock Washer for securing 48 to Case.	
116440	55	Washer, for 54 .....	11893-144