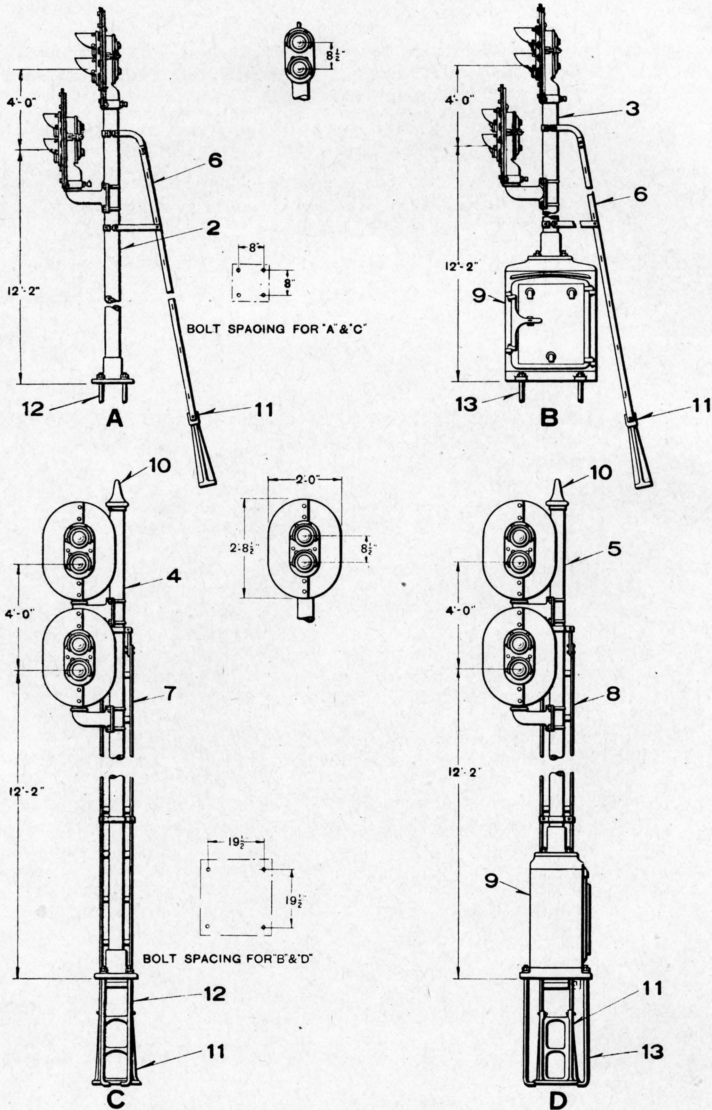


UNION SWITCH & SIGNAL CO.



2-UNIT, TWO-COLOR STYLE "N" LIGHT GROUND SIGNAL, COMPLETE WITH POST AND MOUNTING FITTINGS

UNION SWITCH & SIGNAL CO.

2-UNIT, TWO-COLOR STYLE "N" LIGHT GROUND SIGNAL, COMPLETE WITH POSTS AND FITTINGS

For Signal Units Refer to Plate B-2560

Unless Otherwise Specified, Signals will be Furnished Having Dimensions as Shown, 30-Volt, 36-Watt Lamps, and with Red (Bottom) and Green (Top) Lenses

Backlight can be Furnished on all Signals, but is not Included Unless Mentioned in Orders

Order by Plate, Piece, Reference and Description

Drawing references are shown for convenience in checking material with shipping lists and invoices.

Piece	Ref.	Description	Drawing Reference
	A	2-Unit, Two-Color Style "N" Light Ground Signal, complete with Post and Fittings (without Backgrounds).....	B-10325-54
	Aa	2-Unit, Two-Color Style "N" Light Ground Signal, complete with Post, Backgrounds and Fittings....	B-10325-
	B	2-Unit, Two-Color Style "N" Light Ground Signal, complete with Post, Fittings and Instrument Case (without Backgrounds).....	B-10325-53
	Ba	2-Unit, Two-Color Style "N" Light Ground Signal, complete with Post, Fittings, Backgrounds and Instrument Case.....	B-10325-
	C	2-Unit, Two-Color Style "N" Light Ground Signal, complete with Post, Fittings and Backgrounds....	B-10325-
	Ca	2-Unit, Two-Color Style "N" Light Ground Signal, complete with Post and Fittings (without Backgrounds).....	B-10325-
	D	2-Unit, Two-Color Style "N" Light Ground Signal, complete with Post, Fittings, Backgrounds and Instrument Case.....	B-10325-39
	Da	2-Unit, Two-Color Style "N" Light Ground Signal, complete with Post, Fittings and Instrument Case (without Backgrounds).....	B-10325-
	2	Post, 4" Pipe, complete with Base for A and Aa.....	B-9893-73
	3	Post, 4" Pipe, complete with Base for B and Ba.....	B-9893-73
	4	Post, 4" Pipe, complete with Base for C and Ca.....	B-9893-73
	5	Post, 4" Pipe, complete with Base for D and Da.....	B-9893-56
	6	Ladder, complete, 15'-8" long, for A, Aa, B and Ba. (For details refer to Plate B-2585).....	B-10313-

UNION SWITCH & SIGNAL CO.

2-UNIT, TWO-COLOR STYLE "N" LIGHT GROUND SIGNAL, COMPLETE WITH POSTS AND FITTINGS

(Continued)

For Signal Units Refer to Plate B-2560

Unless Otherwise Specified, Signals will be Furnished Having Dimensions as Shown, 30-Volt, 36-Watt Lamps, and with Red (Bottom) and Green (Top) Lenses

Backlight can be Furnished on all Signals, but is not Included Unless Mentioned in Orders

Order by Plate, Piece, Reference and Description

Drawing references are shown for convenience in checking material with shipping lists and invoices.

Piece	Ref.	Description	Drawing Reference
	7	Ladder, complete, 18'-2" long, for C and Ca. (For details refer to Plate B-2585).....	B-10313-193
	8	Ladder, complete, 18'-2" long, for D and Da. (For details refer to Plate B-2585).....	B-10313-193
68687	9	Instrument Case, complete for B, Ba, D and Da. (For details refer to Plate B-2595).....	C-7589-6
93408	10	Pinnacle, complete.....	B-8121-16
62563	11	Ladder Foundation Pier with two 1/2" x 1 1/4" Sq. Hd. Bolts and Hex. Nuts.....	B-8848-10
10275	12	Foundation Bolt, 3/4" x 2'-6", with Hex. Nut and Plate Washer.....	7913-41
10276	13	Foundation Bolt, 1" x 3'-0", with Hex. Nut and Plate Washer.....	7913-54