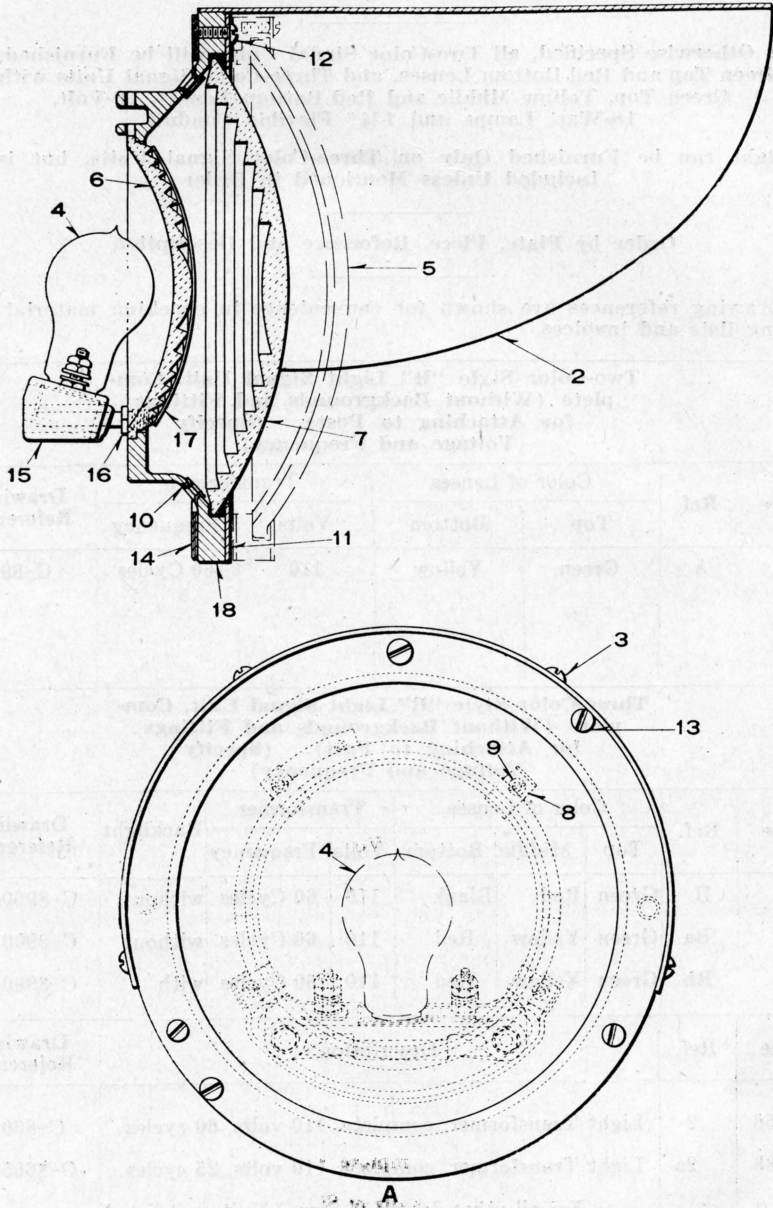


UNION SWITCH & SIGNAL CO.



LAMP UNITS AND DETAILS FOR 2 AND 3-COLOR STYLE "R" LIGHT SIGNAL UNITS

UNION SWITCH & SIGNAL CO.

LAMP UNITS AND DETAILS FOR 2 AND 3-COLOR STYLE "R" LIGHT SIGNAL UNITS

Unless Otherwise Specified, all Lamp Units will be Furnished with 10-Volt, 18-Watt Lamps

Order by Plate, Piece, Reference and Description

Drawing references are shown for convenience in checking material with shipping lists and invoices.

Piece	Ref.	Description	Drawing Reference
116592	A	Lamp Unit, complete, with Red Lens, (with Bulb)	C-8901-35
118019	Aa	Lamp Unit, complete, with Red Lens, (with Bulb), (arranged for Backlight)	C-8901-35
116593	Ab	Lamp Unit, complete with Yellow Lens, (with Bulb)	C-8901-35
116594	Ac	Lamp Unit, complete, with Green Lens, (with Bulb)	C-8901-35
122316	Ad	Lamp Unit, complete, with Clear Lens, (with Bulb)	C-8901-35
65898	2	Hood	C-8842-15
	3	Machine Screw No. 10-30 x 1/4" Rd. Hd. S. (Cadmium Plated) for 2.	
116447	4	Electric Lamp, 10-volt, 18-watt	B-12409-16
90897	5	Deflecting Prism, complete (10° spread)	C-8901-8
90898	5a	Deflecting Prism, complete (20° spread)	C-8901-8
		<p>"The Lamp Unit shown is assembled by trained workmen with specially designed equipment which can be handled satisfactorily only at the factory. This factory adjustment makes possible the maximum efficiency and uniformity obtained with these signals, and hence the detail parts involved in the assembly are not listed separately. Units in need of repairs should be sent to Swissvale. Do not change either the outer or the inner Lens in any Unit without sending to the factory for adjustment."</p>	