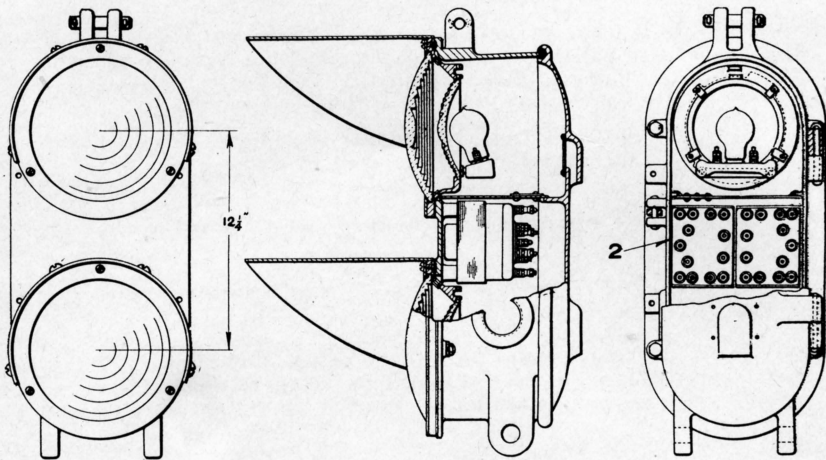
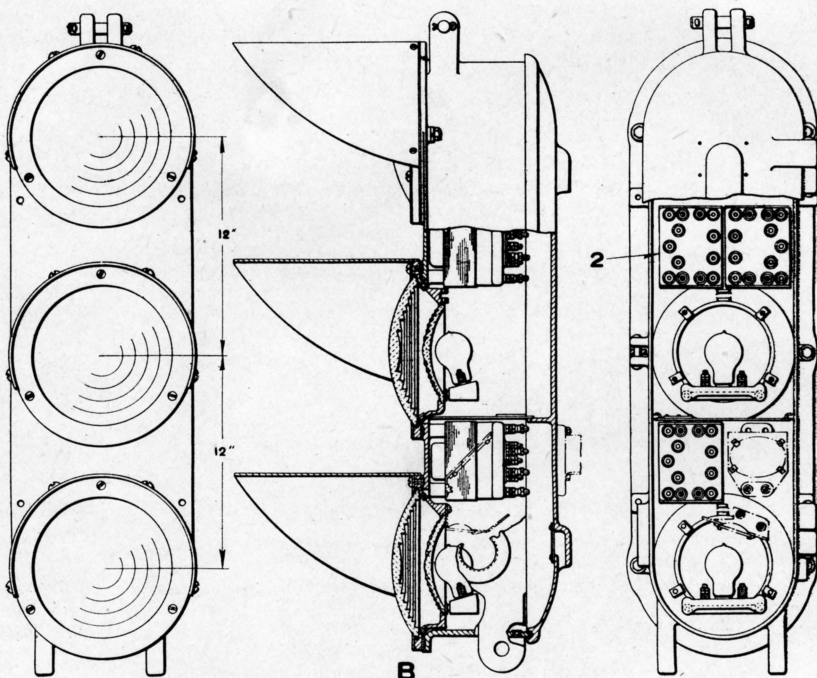


UNION SWITCH & SIGNAL CO.



A



B

TWO AND THREE-COLOR A.C. STYLE "R" SIGNAL UNITS

UNION SWITCH & SIGNAL CO.

**TWO AND THREE-COLOR A.C. (WITH INDIVIDUAL TRANSFORMERS)  
STYLE "R" SIGNAL UNITS**

Unless Otherwise Specified, all Two-Color Signal Units will be Furnished with Green Top and Red Bottom Lenses, and Three-Color Signal Units with Green Top, Yellow Middle and Red Bottom Lenses, 10-Volt, 18-Watt Lamps and 1 1/4" Flexible Conduit

Backlight can be Furnished Only on Three-Color Signal Units, but is not Included Unless Mentioned in Order

**Order by Plate, Piece, Reference and Description**

Drawing references are shown for convenience in checking material with shipping lists and invoices.

Two-Color Style "R" Light Signal Unit, Complete (Without Backgrounds and Fittings for Attaching to Post). (Specify Voltage and Frequency)								
Piece	Ref.	Color of Lenses		Transformer		Drawing Reference		
		Top	Bottom	Volts	Frequency			
	A	Green	Yellow	110	60 Cycles	C-8900-		
Three-Color Style "R" Light Signal Unit, Complete (Without Backgrounds and Fittings for Attaching to Post). (Specify Voltage and Frequency)								
Piece	Ref.	Color of Lenses			Transformer		Backlight	Drawing Reference
		Top	Middle	Bottom	Volts	Frequency		
	B	Green	Red	Blank	110	60 Cycles	without	C-8900-15
	Ba	Green	Yellow	Red	110	60 Cycles	without	C-8900-15
	Bb	Green	Yellow	Red	110	60 Cycles	with	C-8900-23
Piece	Ref.	Description						Drawing Reference
119356	2	Light Transformer, complete, 110 volts, 60 cycles..						C-8605-5
125688	2a	Light Transformer, complete, 110 volts, 25 cycles..						C-8605-14
For all other details of Signal Units not listed on this Plate refer to Plate B-2525.								