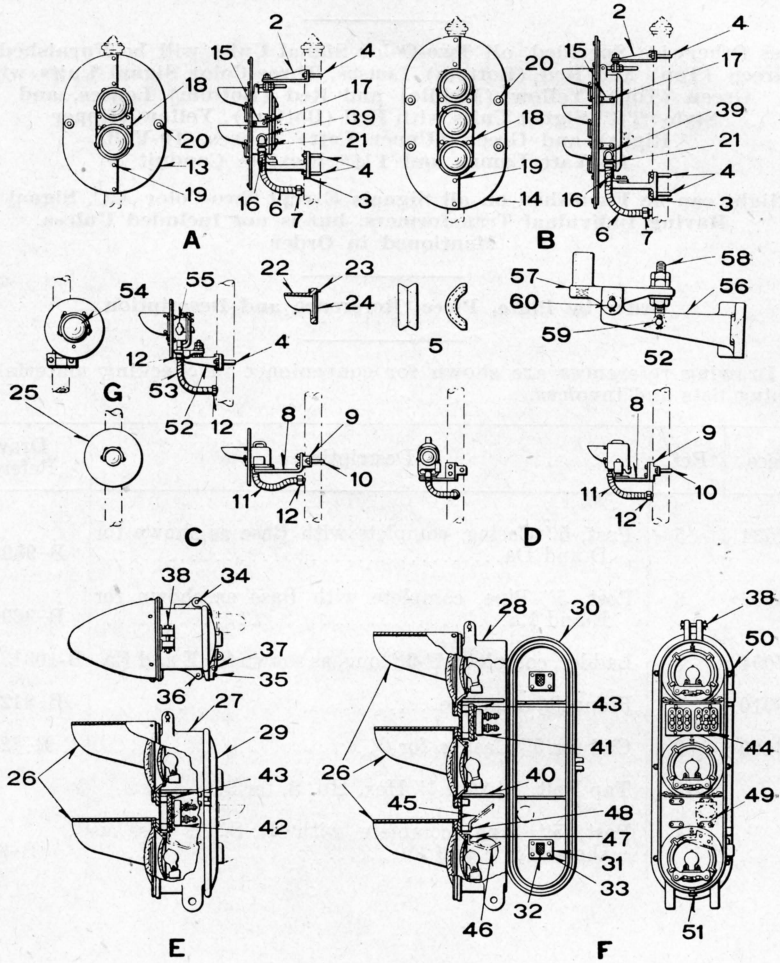


UNION SWITCH & SIGNAL CO.\*



TWO AND THREE-COLOR D.C. STYLE "R" SIGNAL UNITS AND MARKER LIGHTS

UNION SWITCH & SIGNAL CO.

ONE, TWO AND THREE-COLOR D.C. (OR A.C. WITHOUT INDIVIDUAL TRANSFORMERS) STYLE "R" SIGNAL UNITS AND MARKER LIGHTS

Unless Otherwise Specified, all Two-Color Signal Units will be Furnished with Green (Top) and Red (Bottom) Lenses, and Three-Color Signal Units with Green (Top), Yellow (Middle) and Red (Bottom) Lenses, 10-Volt, 18-Watt Lamps and 1 1/4" Flexible Conduit

Order by Plate, Piece, Reference and Description

Drawing references are shown for convenience in checking material with shipping lists and invoices.

Piece	Ref.	Description	Drawing Reference
115491	A	Two-Color D. C. (or A. C. without individual Transformers) Style "R" Signal Unit, complete, with Backgrounds and Mounting Fittings for attaching to 5" Pipe or Casing.....	B-10325-18
115491	Aa	Two-Color D. C. (or A. C. without individual Transformers) Style "R" Signal Unit, complete, with Backlight, Backgrounds and Mounting Fittings for attaching to 5" Pipe or Casing.....	B-10325-18
115491	Ab	Two-Color D. C. (or A. C. without individual Transformers) Style "R" Signal Unit, complete, with Backgrounds and Mounting Fittings for attaching to 6" Pipe.....	B-10325-18
115491	Ac	Two-Color D. C. (or A. C. without individual Transformers) Style "R" Signal Unit, complete, with Backlight, Background and Mounting Fittings for attaching to 6" Pipe.....	B-10325-18
81114	B	Three-Color D. C. (or A. C. without individual Transformers) Style "R" Signal Unit, complete, with Backgrounds and Mounting Fittings for attaching to 5" Pipe or Casing.....	B-10325-19
81114	Ba	Three-Color D. C. (or A. C. without individual Transformers) Style "R" Signal Unit, complete, with Backlight, Backgrounds and Mounting Fittings for attaching to 5" Pipe or Casing.....	B-10325-19
81114	Bb	Three-Color D. C. (or A. C. without individual Transformers) Style "R" Signal Unit, complete, with Backgrounds and Mounting Fittings for attaching to 6" Pipe.....	B-10325-19
81114	Bc	Three-Color D. C. (or A. C. without individual Transformers) Style "R" Signal Unit, complete, with Backlight, Background and Mounting Fittings for attaching to 6" Pipe.....	B-10325-19
	C	Marker Light Lamp, complete, as shown with Lamp Bracket, "U" Bolt, Clamp and Conduit, for attaching to 5" Pipe Post.....	

UNION SWITCH & SIGNAL CO.

ONE, TWO AND THREE-COLOR D.C. (OR A.C. WITHOUT INDIVIDUAL TRANSFORMERS) STYLE "R" SIGNAL UNITS AND MARKER LIGHTS

(Continued)

Unless Otherwise Specified, all Two-Color Signal Units will be Furnished with Green (Top) and Red (Bottom) Lenses, and Three-Color Signal Units with Green (Top), Yellow (Middle) and Red (Bottom) Lenses, 10-Volt, 18-Watt Lamps and 1 1/4" Flexible Conduit

Order by Plate, Piece, Reference and Description

Drawing references are shown for convenience in checking material with shipping lists and invoices.

Piece	Ref.	Description		Drawing Reference	
113870	Ca	Marker Light Lamp, complete, (without Lamp Bracket, "U" Bolt, Clamp and Conduit). (With Amber Lens).....		C-8901-32	
	D	Marker Light Lamp, complete as shown with Lamp Bracket, "U" Bolt, Clamp and Conduit for attaching to 5" Pipe Post.....			
123656	Da	Marker Light Lamp, complete, (without Lamp Bracket, "U" Bolt, Clamp and Conduit). (With Lunar White Lens).....		B-9224-56	
<b>Two-Color D.C. (or A.C. Without Individual Transformers) Style "R" Light Signal Unit, Complete (Without Backgrounds and Fittings for Attaching to Post)</b>					
Piece	Ref.	Color of Lenses		Backlight	Drawing Reference
		Top	Bottom		
125404	E	Green	Yellow	without	C-8900-21
124357	Ea	Clear	Red	without	C-8900-21
124356	Eb	Green	Red	without	C-8900-21

UNION SWITCH & SIGNAL CO.

ONE, TWO AND THREE-COLOR D.C. (OR A.C. WITHOUT INDIVIDUAL TRANSFORMERS) STYLE "R" SIGNAL UNITS AND MARKER LIGHTS  
(Continued)

Unless Otherwise Specified, all Two-Color Signal Units will be Furnished with Green (Top) and Red (Bottom) Lenses, and Three-Color Signal Units with Green (Top), Yellow (Middle) and Red (Bottom) Lenses, 10-Volt, 18-Watt Lamps and 1 1/4" Flexible Conduit

Order by Plate, Piece, Reference and Description

Drawing references are shown for convenience in checking material with shipping lists and invoices.

Three-Color D.C. (or A.C. Without Individual Transformers) Style "R" Light Signal Unit, Complete (Without Backgrounds and Fittings for Attaching to Post)						
Piece	Ref.	Color of Lenses			Backlight	Drawing Reference
		Top	Middle	Bottom		
116615	F	Green	Yellow	Red	without	C-8900-11
118792	Fa	Green	Blank	Red	without	C-8900-11
118793	Fb	Green	Yellow	Blank	without	C-8900-11
120951	Fc	Blank	Yellow	Red	without	C-8900-11
117924	Fd	Green	Yellow	Red	with	C-8900-14
122336	Fe	Blank	Yellow	Red	with	C-8900-14

Piece	Ref.	Description	Drawing Reference
	G	One-Color, D. C. Style "R" Signal Unit, complete, with 20" Background, Red Lens, supporting Bracket and "U" Bolt for attaching to 5" Pipe or Casing.....	B-10325-96
80774	2	Bracket, upper adjusting, complete for attaching Style "L", "R" and "TR" Signal Units to Post.....	C-8901-5
80773	3	Bracket, lower adjusting, complete for attaching Style "L", "R" and "TR" Signal Units to Post....	C-8901-6
43931	4	"U" Bolt, 3/4" with Hex. Nuts for attaching 2 or 3 to 5" Pipe or Casing.....	8782-66
44199	4a	"U" Bolt, 3/4" with Hex. Nuts, for attaching 2 or 3 to 6" Pipe.....	8782-69
54865	4b	"U" Bolt, 3/4" with Hex. Nuts, for attaching 2 or 3 to 3" Pipe. (Filler Ref. 5, must be used with this Bolt on 3" Pipe).....	8782-102

UNION SWITCH & SIGNAL CO.

ONE, TWO AND THREE-COLOR D.C. (OR A.C. WITHOUT INDIVIDUAL TRANSFORMERS) STYLE "R" SIGNAL UNITS AND MARKER LIGHTS

(Continued)

Unless Otherwise Specified, all Two-Color Signal Units will be Furnished with Green (Top) and Red (Bottom) Lenses, and Three-Color Signal Units with Green (Top), Yellow (Middle) and Red (Bottom) Lenses, 10-Volt, 18-Watt Lamps and 1 1/4" Flexible Conduit

Order by Plate, Piece, Reference and Description

Drawing references are shown for convenience in checking material with shipping lists and invoices.

Piece	Ref.	Description	Drawing Reference
47106	5	Filler, used under "U" Bolt 4b, when Signal Units are mounted on 3" Pipe.....	C-8034-2
	6	Conduit, Greenfield, double strip flexible, 1-1/4" I. D. x 1-3/4" O. D., 3'-7" long. (Will be furnished unless otherwise specified).....	
	6a	Conduit, Greenfield, double strip flexible, 2" I. D. x 2-9/16" O. D., 3'-7" long.	
	7	Connector, 1-1/4" M. I. Panel Box.	
97577	7a	Connector, 2", complete.....	B-10342-17
113829	8	Lamp Bracket, complete, for C.....	B-8069-245
117219	8a	Lamp Bracket, complete, for D.....	B-8069-245
56536	9	Clamp, for 8, for 5" Casing.....	B-8795-16
47841	9a	Clamp, for 8, for 5" Pipe.....	B-6821-33
57529	9b	Clamp, complete, for 8, for 6" Pipe.....	B-9932-12
43128	10	"U" Bolt with Hex. Nuts and Lock Washers for 5" Casing or Pipe for 9 or 9a.....	8782-63
43129	10a	"U" Bolt with Hex. Nuts and Lock Washers for 6" Pipe for 9b.....	8782-65
	11	Conduit, Greenfield, double strip flexible, 3/4" I. D. x 1-3/16" O. D., 2'-0" long for C and D.	
	12	Connector, 3/4" Panel Box for 11.	
89967	13	Background (half) complete, for Two-Color Signal Unit.....	C-8901-7
80775	14	Background (half) complete, for Three-Color Signal Unit.....	C-8901-7

UNION SWITCH & SIGNAL CO.

ONE, TWO AND THREE-COLOR D.C. (OR A.C. WITHOUT INDIVIDUAL TRANSFORMERS) STYLE "R" SIGNAL UNITS AND MARKER LIGHTS  
(Continued)

Unless Otherwise Specified, all Two-Color Signal Units will be Furnished with Green (Top) and Red (Bottom) Lenses, and Three-Color Signal Units with Green (Top), Yellow (Middle) and Red (Bottom) Lenses, 10-Volt, 18-Watt Lamps and 1 1/4" Flexible Conduit

Order by Plate, Piece, Reference and Description

Drawing references are shown for convenience in checking material with shipping lists and invoices.

Piece	Ref.	Description	Drawing Reference
80822	15	Brace for attaching Backgrounds to Case.....	C-8901-7
80823	16	Pin, 3/4" x 10-9/16" with two 3/16" x 1-1/8" Cotters, Sher....	B-10221-1
	17	Tap Bolt 3/8" x 1/2" Sher. for fastening Brace 15 to Case.	
	18	Bolt 3/8" x 1-1/4" Hex. Hd. Sher. with Nut and Lock Washer 18b for bolting 13 and 14 to Case.	
534	18a	Nut for 18, 19 and 20.....	8109-29
	18b	Lock Washer, 3/8" Plain (5/32" x 3/32") for 18 and 20.	
	19	Bolt 3/8" x 3/4" Hex. Hd. Sher. with Nut 18a and Washer 19a for bolting Backgrounds together.	
73021	19a	Washer for 19.....	7826-34
	20	Bolt 3/8" x 1" Hex. Hd. Sher., with Nut 18a, Lock Washer 18b and Washer 19a for bolting Backgrounds 13 and 14 to Brace 15.	
	21	Std. 1-1/4" Street Ell, Loricated.	
	21a	Std. 2" Street Ell, Loricated.	
116426	22	Hood for Backlight.....	C-8901-33
	23	Tap Bolt 1/4"-20 x 3/4" Hex. Hd. S. for fastening 22 to door.	
	23a	Lock Washer 1/4" Plain (1/16" x 1/16") for 23.	
116348	24	Roundel for Backlight.....	8468-33
113842	25	Background and Hood, complete for C.....	C-8901-31
	26	Lamp Unit, complete, (Refer to Plate B-2528).	

UNION SWITCH & SIGNAL CO.

ONE, TWO AND THREE-COLOR D.C. (OR A.C. WITHOUT INDIVIDUAL TRANSFORMERS) STYLE "R" SIGNAL UNITS AND MARKER LIGHTS

(Continued)

Unless Otherwise Specified, all Two-Color Signal Units will be Furnished with Green (Top) and Red (Bottom) Lenses, and Three-Color Signal Units with Green (Top), Yellow (Middle) and Red (Bottom) Lenses, 10-Volt, 18-Watt Lamps and 1 1/4" Flexible Conduit

Order by Plate, Piece, Reference and Description

Drawing references are shown for convenience in checking material with shipping lists and invoices.

Piece	Ref.	Description	Drawing Reference
89969	27	Case for 2-Color Signal Unit.....	C-8901-10
89978	27a	Case and Door, complete for 2-Color Signal Unit, (without Backlight).....	C-8900-2
	27b	Case and Door, complete for 2-Color Signal Unit, (With Backlight).....	C-8900-
123961	28	Case for 3-Color Signal Unit.....	C-8901-1
116614	28a	Case and Door, complete for 3-Color Signal Unit, (without Backlight).....	C-8900-11
117923	28b	Case and Door, complete, for 3-Color Signal Unit, (with Backlight).....	C-8900-14
89925	29	Door, complete, with Staple, Flax Packing and Ventilators for 2-Color Signal Unit.....	C-8901-11
	29a	Door, complete, with Staple, Flax Packing and Ventilators for 2-Color Signal Unit, (arranged for Backlight).....	C-8901-
80778	30	Door, complete, with Staple, Flax Packing and Ventilators for 3-Color Signal Unit.....	C-8901-4
116415	30a	Door, complete, with Staple, Flax Packing and Ventilators for 3-Color Signal Unit, (arranged for Backlight).....	C-8901-33
21918	31	Holder for Ventilator Screen for Doors.....	B-7318-5
21919	32	Screen for Ventilator for Doors.....	B-7318-5
	33	Machine Screw No. 10-30 x 1/4" Rd. Hd. S. Cadmium Plated, for attaching 31 and 32 to Doors.	
49634	34	Pin 3/8" x 3-3/8" for fastening Door to Case.....	B-10207-1
50126	35	Eye Bolt.....	8034-64

UNION SWITCH & SIGNAL CO.

ONE, TWO AND THREE-COLOR D.C. (OR A.C. WITHOUT INDIVIDUAL TRANSFORMERS) STYLE "R" SIGNAL UNITS AND MARKER LIGHTS

(Continued)

Unless Otherwise Specified, all Two-Color Signal Units will be Furnished with Green (Top) and Red (Bottom) Lenses, and Three-Color Signal Units with Green (Top), Yellow (Middle) and Red (Bottom) Lenses, 10-Volt, 18-Watt Lamps and 1 1/4" Flexible Conduit

Order by Plate, Piece, Reference and Description

Drawing references are shown for convenience in checking material with shipping lists and invoices.

Piece	Ref.	Description	Drawing Reference
37075	36	Pin 3/8" x 1-7/8" for attaching 35 to Case.....	B-10207-1
72832	37	Hasp, complete.....	8299-66
80726	38	Pin, 5/8" x 3-1/4" with two 3/16" x 1-1/8" Cotters, Sher. for top of Case.....	B-10216-1
	39	Reducing Bushing, 2" x 1-1/4" Galv, (used with 1-1/4" Flexible Conduit only).	
80777	40	Partition, complete.....	C-8901-6
90258	41	Terminal Board, complete for 3-Color D. C. Signal Unit.....	9968-517
96706	42	Terminal Board, complete for 2-Color D. C. Signal Unit.....	9968-513
	43	Machine Screw No. 14-24 x 1" Fil. Hd. S., (Cadmium Plated) for securing Terminal Boards to Case.	
84	44	Washer for 43.....	7828-6
116445	45	Reflector Support, complete, with Reflector for Backlight.....	C-8901-34
116443	46	Backlight Lens Support, complete, with Lens for Backlight.....	C-8901-34
	47	Machine Screw No. 10-30 x 3/8" Fil. Hd. S. for securing 46 to Case.	
	47a	Lock Washer No. 10, (1/8" x 3/4") S. for 47.	
	48	Machine Screw No. 14-24 x 1/2" Fil. Hd. S. for securing 45 to Case.	
	48a	Lock Washer 1/4" Plain, (1/16" x 1/16") S. for 48.	
116440	49	Washer for Reflector.....	11893-144



UNION SWITCH & SIGNAL CO.

ONE, TWO AND THREE-COLOR D.C. (OR A.C. WITHOUT INDIVIDUAL TRANSFORMERS) STYLE "R" SIGNAL UNITS AND MARKER LIGHTS

(Continued)

Unless Otherwise Specified, all Two-Color Signal Units will be Furnished with Green (Top) and Red (Bottom) Lenses, and Three-Color Signal Units with Green (Top), Yellow (Middle) and Red (Bottom) Lenses, 10-Volt, 18-Watt Lamps and 1 1/4" Flexible Conduit

Order by Plate, Piece, Reference and Description

Drawing references are shown for convenience in checking material with shipping lists and invoices.

Piece	Ref.	Description	Drawing Reference
	50	Cap Screw, 3/8" x 1-1/4" Hex. Hd. Sher. for attaching Lens Units to Case.	
	50a	Lock Washer, 3/8" Plain, (5/32" x 3/32") S. for 50.	
34340	51	Ventilator for Case.....	C-7459-6
125753	52	Supporting Bracket, complete for G.....	C-8964-25
	53	Conduit, Greenfield Double Strip Flexible, 3/4" I. D. x 1-3/16" O. D., 2'-4" long.	
71186	54	Clear Front Lens only, for G.....	B-8276-22
125749	55	Sidelight Cover for G.....	C-8964-22
125751	56	Supporting Bracket only, for 52.....	C-8964-24
125752	57	Supporting Socket only, for 52.....	C-8964-25
125826	58	Eye Bolt, 5/8" x 4-7/8", with three 5/8" Hex. Nuts, (Sher.) and two 5/8" Std. Plate Washers for 52.....	8034-66
125825	59	Pin, 1/2" x 2-7/8", with two 1/8" x 3/4" Cotters, (Cadmium Plated) for 52.....	B-10215-1
125824	60	Pin, 5/8" x 4-3/8", with two 3/16" x 1-1/8" Cotters, (Cadmium Plated) for 52.....	B-10216-1

For other details of One-Color Signal Units not listed on this Plate, refer to Plate K-107.