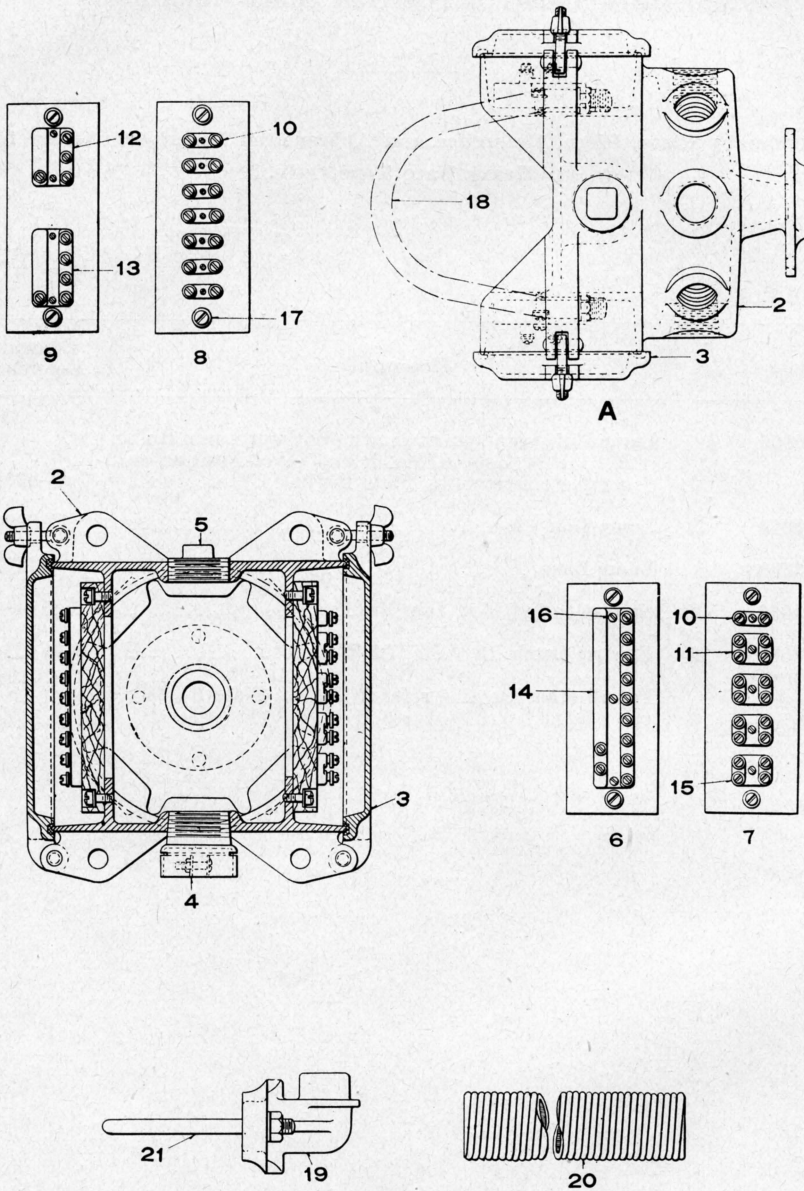


UNION SWITCH & SIGNAL CO.



COMBINED LAMP SUPPORT AND TERMINAL BOX AND WIRE OUTLET
FOR POSITION LIGHT SIGNALS

UNION SWITCH & SIGNAL CO.

COMBINED LAMP SUPPORT AND TERMINAL BOX AND WIRE OUTLET
FOR POSITION LIGHT SIGNALS

Order by Plate, Piece, Reference and Abbreviated Description Given in
Heavy Face Type Only.

Piece	Ref.	Description	Drawing Reference
	A	Combined Lamp Support and Terminal Box, with U-Bolts as shown for attaching to 5" Pipe (Includes 1-Aa and 2-18)	C-8965-1
95804	Aa	Combined Lamp Support and Terminal Box (without U-Bolts)	C-8965-1
	2	Combined Lamp Support and Terminal Box with Eye Bolts Ref. 2a and Rivets Ref. 2c only for Ref. Aa	C-8964-1
59907	2a	Eye Bolt for Ref. 2	8034-72
55983	2b	Wing Nut for Ref. 2a	8331-20
	2c	Rivet, 3/8"x1 5/8" Rd. Hd. I. for Ref. 2a.	
147183	3	Door with Gaskets Ref. 3a and 3/8"x3 1/4" Rd. Hd. I. Rivet for Ref. Aa	C-8964-4
95821	3a	Gasket for Ref. 3	8078-1248
	3b	Rivet, 3/8"x3 1/4" Rd. Hd. I. for Ref. 3.	
97577	4	Coupling, for Ref. A	B-10342-17
	4a	Stove Bolt, 1/4"x1 1/4" Rd. Hd. with Nut.	
	5	Pipe Plug, 2" Std.	
95767	6	Terminal Board, for Ref. Aa	9968-580
95766	6a	Terminal Board only for Ref. 6	9968-580
95769	7	Terminal Board, for Ref. Aa	9968-581
95768	7a	Terminal Board only for Ref. 6	9968-581
118285	8	Terminal Board	9968-636

UNION SWITCH & SIGNAL CO.

COMBINED LAMP SUPPORT AND TERMINAL BOX AND WIRE OUTLET
FOR POSITION LIGHT SIGNALS

(Continued)

Order by Plate, Piece, Reference and Abbreviated Description Given in
Heavy Face Type Only.

Piece	Ref.	Description	Drawing Reference
118284	8a	Terminal Board only.....	9968-636
118283	9	Terminal Board.....	9968-637
118282	9a	Terminal Board only.....	9968-637
95794	10	Terminal Connector (2-way) for Ref. 8.....	8064-501
117288	10a	Terminal Connector only for Ref. 10.....	8064-501
95756	11	Terminal Connector (4-way) for Ref. 7.....	8064-531
94313	11a	Terminal Connector only for Ref. 11.....	8064-531
118289	12	Terminal Connector (4-way) for Ref. 9.....	8064-546
118288	12a	Terminal Connector only for Ref. 12.....	8064-546
118291	13	Terminal Connector (5-way) for Ref. 9.....	8064-547
118290	13a	Terminal Connector only for Ref. 13.....	8064-547
95757	14	Terminal Connector (11-way) for Ref. 6.....	8064-532
94328	14a	Terminal Connector only for Ref. 14.....	8064-532
	15	Machine Screw, No. 14-24x $\frac{1}{2}$ " Fil. Hd. Brass for Refs. 10, 11, 12, 13 and 14.	
	15a	Machine Screw, No. 14-24x $\frac{3}{4}$ " Fil. Hd. Brass for Refs. 10 and 11.	
84	15b	Washer for Refs. 15 and 15a.....	7826-6
	16	Wood Screw, No. 8x $\frac{3}{4}$ " Rd. Hd. S. (Cad. Pl.) for fastening Terminal Connectors to Terminal Boards.	

UNION SWITCH & SIGNAL CO.

COMBINED LAMP SUPPORT AND TERMINAL BOX AND WIRE OUTLET
FOR POSITION LIGHT SIGNALS

(Continued)

Order by Plate, Piece, Reference and Abbreviated Description Given in
Heavy Face Type Only.

Piece	Ref.	Description	Drawing Reference
	17	Machine Screw, $\frac{5}{16}$ "-18x $\frac{3}{4}$ " Fil. Hd. S. for fastening Refs. 6, 7, 8 and 9 to Ref. 2.	
70369	17a	Washer for Ref. 13.....	7826-180
95838	18	U-Bolt, $\frac{3}{4}$ " with $\frac{3}{4}$ " Hex. Nut and $\frac{3}{4}$ " Lock Washer ($\frac{3}{16}$ "x $\frac{3}{16}$ ") for Ref. A.....	8782-159
97611	19	Wire Outlet with Gasket for Ref. A for 5" or 6" Pipe (without U-Bolt).....	B-10342-41
97619	19a	Gasket for Ref. 19.....	8078-942
	20	Conduit, 2" I. D. x $2\frac{9}{16}$ " O. D. Greenfield double strip flexible. (Specify length when ordering).	
46567	21	U-Bolt, $\frac{1}{2}$ " with $\frac{1}{2}$ " Hex. Nut and $\frac{1}{2}$ " Lock Washer ($\frac{3}{16}$ "x $\frac{3}{32}$ ") for 5" Pipe for Ref. 19.....	8782-77
60389	21a	U-Bolt, $\frac{1}{2}$ " with $\frac{1}{2}$ " Hex. Nut and $\frac{1}{2}$ " Lock Washer ($\frac{3}{16}$ "x $\frac{3}{32}$ ") for 6" Pipe for Ref. 19.....	8782-109