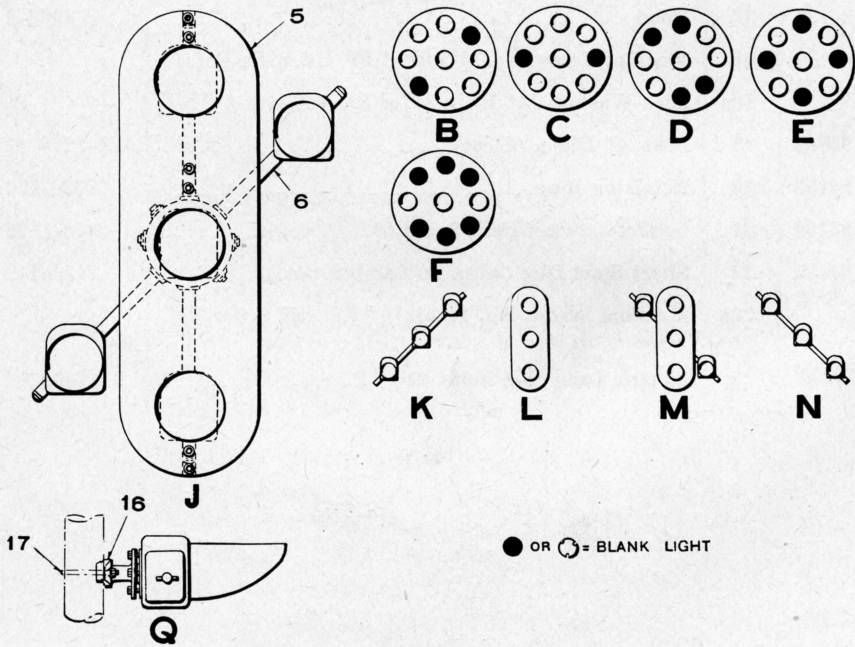
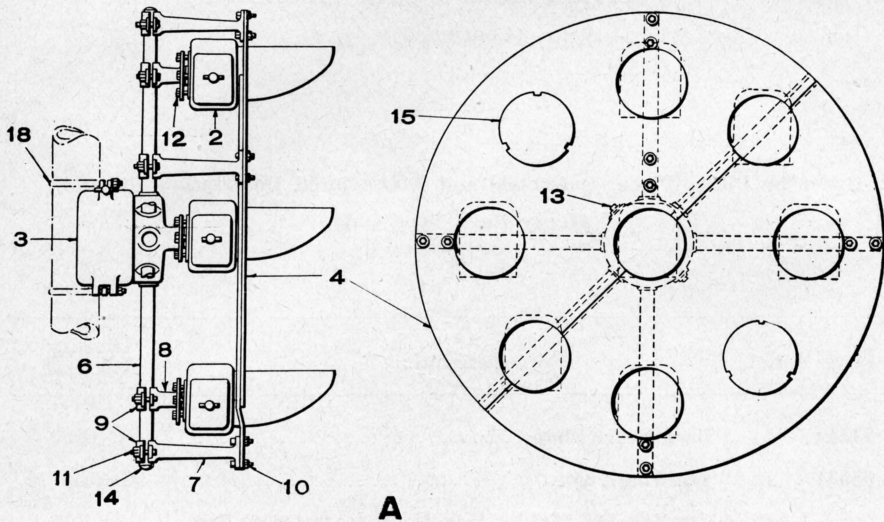


UNION SWITCH & SIGNAL CO.



POSITION LIGHT SIGNAL UNIT

UNION SWITCH & SIGNAL CO.

POSITION LIGHT SIGNAL UNITS COMPLETE WITH LAMP UNITS, BACK-
 GROUNDS, TERMINAL BOXES AND FITTINGS FOR ALL ARMS OF
 GROUND, BRIDGE AND CANTILEVER MOUNTED SIGNALS

For Details not shown see Plates B-2435, B-2436 and B-2440

For complete assemblies see Plates B-2401, B-2405, B-2410 and B-2415

Order by Plate, Piece, Reference and Abbreviated Description Given in
 Heavy Face Type Only.

Piece	Ref.	Description	Drawing Reference
116688	A	0°-45°-90° U. Q. as shown.....	C-8965-12
117091	B	0°-45°-90° L. Q.....	C-8965-12
118376	C	45°-90° U. Q. and 45° L. Q.....	C-8965-14
117819	D	0°-45° U. Q.....	C-8965-14
117568	E	45° U. Q. and 45° L. Q.....	C-8965-14
118377	F	0°.....	C-8965-14
117268	J	45°-90° U. Q. as shown.....	C-8965-12
116707	K	45° U. Q.....	C-8965-12
117270	L	90°.....	C-8965-12
	M	45°-90° L. Q.....	C-8965
122491	N	45° L. Q.....	C-8965-12
97923	Q	Marker Light (For details, see Plate B-2435)	C-8965-3
	2	Lamp Unit, (for details, see Plate B-2435.)	
	3	Terminal Box and Lamp Support, for details, see Plate B-2440.	
	3	Terminal Box and Lamp Support (for details, see Plate B-2440.)	
116490	4	Background, circular.....	C-8964-14
116636	5	Background, elongated.....	C-8964-13
128789	6	Spider Arm (1¼" Pipe) (with Plug, Ref. 14).....	B-12477-1
94335	7	Background Support (10½" Long).....	C-8964-3

UNION SWITCH & SIGNAL CO.

POSITION LIGHT SIGNAL UNITS COMPLETE WITH LAMP UNITS, BACK-
 GROUNDS, TERMINAL BOXES AND FITTINGS FOR ALL ARMS OF
 GROUND, BRIDGE AND CANTILEVER MOUNTED SIGNALS
 (Continued)

For Details not shown see Plates B-2435, B-2436 and B-2440
 For complete assemblies see Plates B-2401, B-2405, B-2410 and B-2415

Order by Plate, Piece, Reference and Abbreviated Description Given in
 Heavy Face Type Only.

Piece	Ref.	Description	Drawing Reference
140104	7a	Background Support (12 $\frac{1}{2}$ " Long).....	C-8964-3
	8	Lamp Support with Cap and Bolts (Inc. 1-8a, 1-9 and 2-11).....	C-8964-3
94334	8a	Lamp Support for Ref. 8.....	C-8964-3
94336	9	Cap for Refs. 7 and 8.....	C-8964-3
	10	Bolt, $\frac{1}{4}$ "x $\frac{3}{4}$ " Sq. Hd. S. (Cad. Pl.) with $\frac{1}{4}$ " Hex. Nut and $\frac{1}{4}$ " Plate Washer for fastening Ref. 7 to Ref. 4 or Ref. 5.	
	11	Bolt, $\frac{3}{8}$ "x2 $\frac{1}{2}$ " Sq. Hd. S. with $\frac{3}{8}$ " Hex. Nut and $\frac{3}{8}$ " Lock Washer ($\frac{5}{32}$ "x $\frac{3}{32}$ "), for fastening Ref. 9 to Refs. 7 and 8.	
	12	Tap Bolt, $\frac{3}{8}$ "x1 $\frac{1}{4}$ " Hex. Hd. S. for fastening Ref. 2 to Ref. 8.	
	13	Pipe Plug, 1 $\frac{1}{4}$ " C. I.	
94355	14	Plug for end of Spider Arm Ref. 6.....	C-8964-3
95828	15	Cover Plate, used in place of Lamp Unit.....	7436-121
95812	16	Lamp Support, with Gasket for clamping on 5" Pipe.	C-8964-8
97619	16a	Gasket for Ref. 16.....	8078-1042
46567	17	"U" Bolt, $\frac{1}{2}$ " with $\frac{1}{2}$ " Hex. Nut and $\frac{1}{2}$ " Lock Washer ($\frac{3}{16}$ "x $\frac{3}{32}$ ") for securing Ref. 16 to 5" Pole.....	8782-77
95838	18	"U" Bolt, $\frac{3}{4}$ " with $\frac{3}{4}$ " Hex. Nut and $\frac{3}{4}$ " Lock Washer ($\frac{3}{16}$ "x $\frac{3}{16}$ ") for securing Ref. 3 to 5" Pole...	8782-159