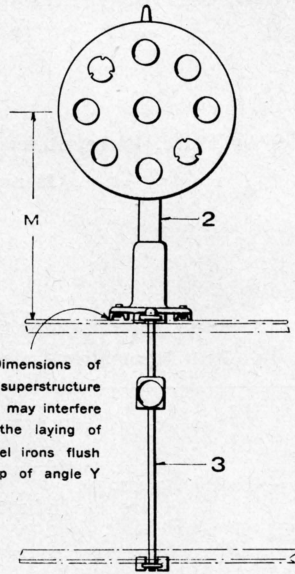
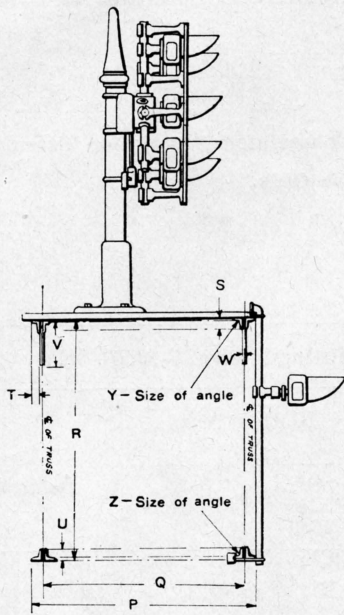


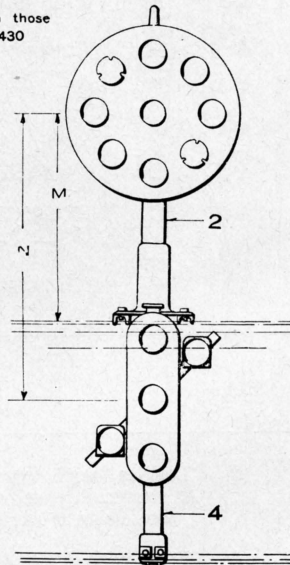
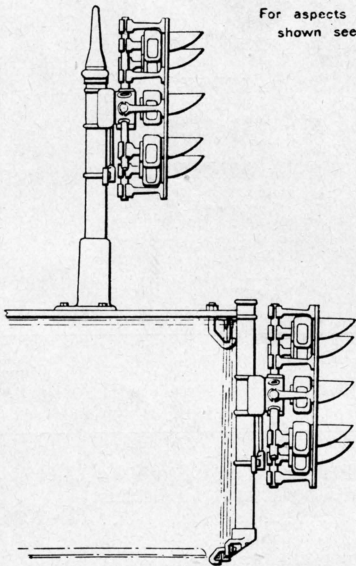
UNION SWITCH & SIGNAL CO.



X - Dimensions of any superstructure which may interfere with the laying of channel irons flush on top of angle Y

A

For aspects other than those shown see plate B-2430



B

ONE AND TWO ARM POSITION LIGHT BRIDGE SIGNALS

UNION SWITCH & SIGNAL CO.

ONE AND TWO ARM POSITION LIGHT BRIDGE SIGNALS,
COMPLETE ASSEMBLIES

When Mounting Fittings are Wanted Please Supply Dimensions P to Z
also Specify M and N Dimensions

Order by Plate, Piece, Reference and Abbreviated Description Given in
Heavy Face Type Only.

..... Arm Assemblies, Complete with Fittings (Specify M and N Dimensions)							
Piece	Ref.	Top Arm		Bottom Arm		Dwg. CS966 Sh.	Remarks
		Aspect Plate B-2430	Indication	Aspect Plate B-2430	Indication		
	A	A	0°-45°-90° U. Q.	Q	Marker Light	10	
	A-1	B	0°-45°-90° L. Q.	Q	Marker Light		
	A-2	A	0°-45°-90° U. Q.		Without Marker		
	B	A	0°-45°-90° U. Q.	L	90°		
	B-1	A	0°-45°-90° U. Q.	J	45°-90° U. Q.		
	B-2	A	0°-45°-90° U. Q.	M	45°-90° L. Q.		
	B-3	A	0°-45°-90° U. Q.	K	45° U. Q.		
	B-4	A	0°-45°-90° U. Q.	N	45° L. Q.		
	B-5	D	0°-45° U. Q.	J	45°-90° U. Q.		
	B-6	E	45° U. Q. & 45° L. Q.	L	90°		
	B-7	F	0°	J	45°-90° U. Q.		

Piece	Ref.	Description	Drawing Reference
99830	2	Post, with A. R. A. Base drilled for Wire Outlet, complete as shown for 1-Arm Signals and Top Arm of 2-Arm Signals as shown. (For details, see Plate B-2443).....	B-9893-66

PLATE B-2410

UNION SWITCH & SIGNAL CO.

**ONE AND TWO ARM POSITION LIGHT BRIDGE SIGNALS,
COMPLETE ASSEMBLIES**

(Continued)

**When Mounting Fittings are Wanted Please Supply Dimensions P to Z
also Specify M and N Dimensions**

**Order by Plate, Piece, Reference and Abbreviated Description Given in
Heavy Face Type Only.**

Piece	Ref.	Description	Drawing Reference
	3	Post for Marker Light (specify length of Post or supply dimensions of the Bridge on which the Signals are to be mounted. (For details, see Plate B-2443).....	B-12477-1
	4	Post for Bottom Arm of 2-Arm Signal (specify length of Post or supply dimensions of the Bridge on which the Signals are to be mounted. (For details, see Plate B-2443).....	B-9893-25