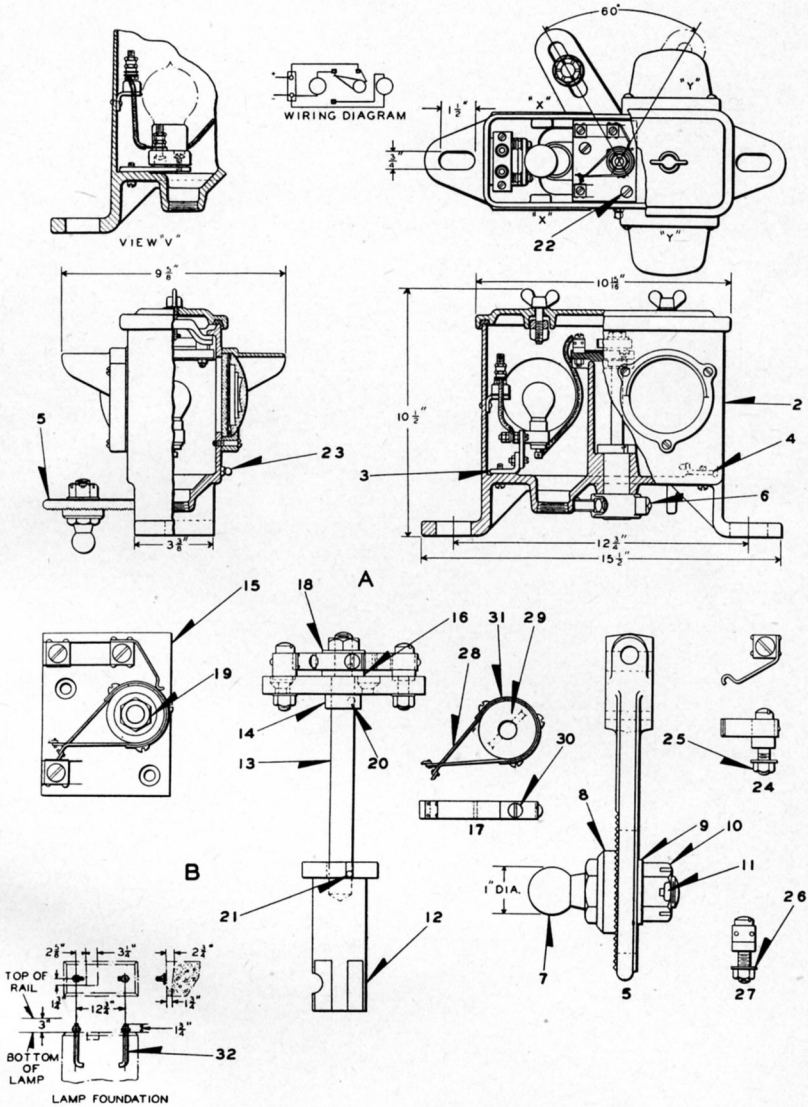


UNION SWITCH & SIGNAL CO.



STYLE "ES-20" ELECTRIC SWITCH LAMP  
(WITH CIRCUIT CONTROLLER)

UNION SWITCH & SIGNAL CO.

STYLE "ES-20" ELECTRIC SWITCH LAMP  
(WITH CIRCUIT CONTROLLER)

Order by Plate, Piece, Reference and Abbreviated Description Given in  
Heavy Face Type Only

Piece	Ref.	Description	Drawing Reference
153760	A	Style "ES-20" Color Light Electric Switch Lamp with 11 Volts, 11 Watt Lamp Bulbs and Receptacles Refs. 3 and 4 as shown, "X" Lenses Red and "Y" Lenses Yellow .....	C-9139-7
165243	Aa	Style "ES-20" Color Light Electric Switch Lamp with 11 Volts, 11 Watt Lamp Bulbs and Receptacles Refs. 3 and 4 as shown, "X" Lenses Red and "Y" Lenses Green .....	C-9139-7
169539	Ab	Style "ES-20" Color Light Electric Switch Lamp with 115 Volts, 25 Watt Lamp Bulbs and Receptacles per View "V." "X" Lenses Red and "Y" Lenses Yellow .....	C-9139-7
	B	Circuit Controller with Shafts, Pins and Terminal Board.	
153258	2	Case .....	C-9133-7
148223	3	Lamp Receptacle, complete with mounting brackets and one 6" and one 8" lead, Single Contact Candelabra Bayonet Base .....	12415-13
155332	4	Lamp Receptacle, complete with mounting brackets and one 9 1/4" and one 14 1/2" lead, Single Contact Candelabra Bayonet Base .....	12415-13
154923	5	Crank complete with Stud, Nut and Washer .....	8192-352
153378	5a	Crank only .....	8192-352
	6	Bolt, 3/8" x 2 1/2" Sq. Hd. S. (Cad. Pl.) with 3/8" Hex. Nut (Cad. Pl.).	
149674	7	Stud .....	8071-169
153384	8	Washer .....	8065-205

UNION SWITCH & SIGNAL CO.

STYLE "ES-20" ELECTRIC SWITCH LAMP  
(WITH CIRCUIT CONTROLLER)  
(Continued)

Order by Plate, Piece, Reference and Abbreviated Description Given in  
Heavy Face Type Only

Piece	Ref.	Description	Drawing Reference
25076	9	Washer .....	7826-35
96325	10	Castellated Nut .....	8265-234
	11	Cotter, 1/8" x 1 1/2".	
153380	12	Shaft .....	12501-36
153379	13	Shaft .....	12501-37
153218	14	Collar .....	8072-646
153676	15	Terminal Board complete with Contact Spring and Terminal Posts (Inc. 1-15a, 1-24 and 2-27) .....	9968-893
153393	15a	Terminal Board only .....	9968-905
73021	16	Washer .....	7826-34
153392	17	Contact Spring complete .....	8385-2176
	18	Washer, 3/8" S. Plate (Cad. Pl.).	
9175	19	Nut .....	8265-6
37789	20	Pin .....	8097-279
67108	21	Pin .....	8097-770
	22	Machine Screw, No. 14-24 x 5/8" Flat Hd. S. (Cad. Pl.).	
	23	1/8" Pipe Thread Alemite Push Type Elbow Fitting, 67 1/2°.	
	24	Contact Spring complete with Screw, Nut and Washer (Inc. 1-24a, 1-25 and 1-26) .....	12451-
153388	24a	Contact Spring complete (Without Nut and Washer) for Ref. 24 (Inc. 1-24b, 2-24c and 1-24d) .....	8385-2177

UNION SWITCH & SIGNAL CO.

STYLE "ES-20" ELECTRIC SWITCH LAMP  
 (WITH CIRCUIT CONTROLLER)  
 (Continued)

Order by Plate, Piece, Reference and Abbreviated Description Given in  
 Heavy Face Type Only

Piece	Ref.	Description	Drawing Reference
153387	24b	Contact Spring .....	8385-2177
54929	24c	Rivet .....	10301-21
	24d	Machine Screw, No. 14-24x $\frac{3}{8}$ " Fil. Hd. Br. (N. P.).	
31670	25	Nut .....	8109-218
29104	26	Washer .....	7828-138
	27	Terminal Post complete with Screw, Nut and Washer (Inc. 1-27a, 1-25 and 1-26) .....	12451-
153678	27a	Terminal Post complete (Without Nut and Washer) (Inc. 1-27b, 1-24c and 1-24d) .....	8094-2218
153391	27b	Contact Tip .....	8341-373
153390	28	Contact Spring .....	8385-2184
153385	29	Contact Spring Support .....	8095-661
	30	Machine Screw, No. 8-36x $\frac{1}{4}$ " Rd. Hd. S. (Cad. Pl.).	
154752	31	Reenforcement Spring .....	8735-674
		For other details refer to Plate B-3510.	