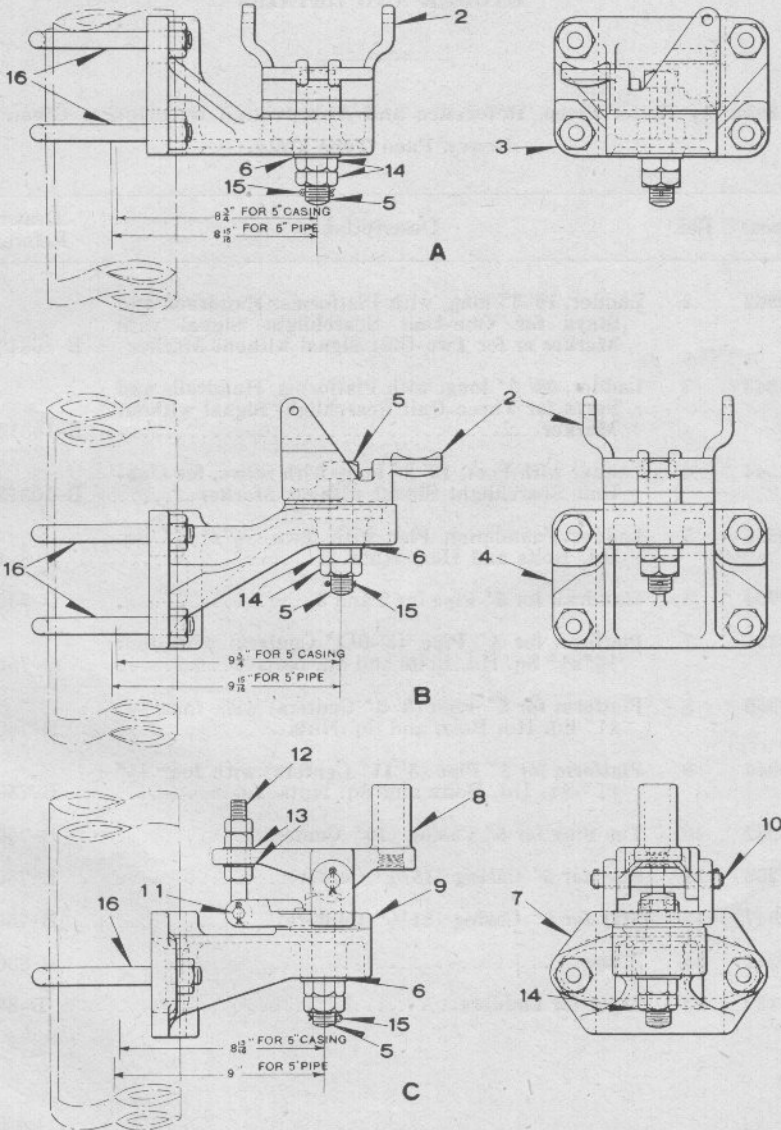


UNION SWITCH & SIGNAL COMPANY



CLAMPS FOR ATTACHING SIGNAL UNITS TO MAST

UNION SWITCH & SIGNAL COMPANY

COLOR LIGHT SEARCHLIGHT SIGNAL
 DETAIL PARTS
 BRACKETS FOR ATTACHING SEARCHLIGHT SIGNAL AND
 MARKER LIGHT TO POST

Order by Plate, Piece, Reference and Abbreviated Description Given in
 Heavy Face Type Only.

Piece	Ref.	Description	Drawing Reference
144207	A	Adjusting Bracket for side of Mast Application with Bolts, Washers and Nuts	C-9105-5
147517	B	Supporting Bracket for Front of Mast Application with Bolts, Washers and Nuts	C-9105-9
149919	C	Supporting Bracket for attaching Marker Light to Mast with Pins, Bolts, Eye Bolt, Nuts and Washers	C-8964-65
144205	2	Supporting Bracket	C-9105-3
147489	3	Adjusting Bracket for A	C-9105-8
147483	4	Adjusting Bracket for B	C-9105-7
81667	5	Bolt	8479-196
80821	6	Washer	7826-20
149918	7	Supporting Arm	C-8964-69
125752	8	Supporting Bracket	C-8964-25
148525	9	Adjusting Bracket	C-8964-65
16458	10	Pin with $\frac{3}{16}$ " x $1\frac{1}{8}$ " Cotters	B-10216-1
24289	11	Pin with $\frac{1}{8}$ " x $\frac{3}{4}$ " Cotters	B-10215-1
125826	12	Eye Bolt	8034-66
	13	Washer, Std. $\frac{5}{8}$ " Plate (Cad. Pl.)	
	14	Jam Nut, 1" Hex. (Cad. Pl.)	
	15	Cotter, $\frac{1}{4}$ " x $1\frac{1}{2}$ " S. (Cad. Pl.)	
97657	16	U-Bolt with $\frac{3}{4}$ " Hex. Nuts for 5" Casing	8782-66
43931	16a	U-Bolt with $\frac{3}{4}$ " Hex. Nuts for 5" Pipe	8782-66
44199	16b	U-Bolt with $\frac{3}{4}$ " Hex. Nuts for 6" Pipe	9782-69