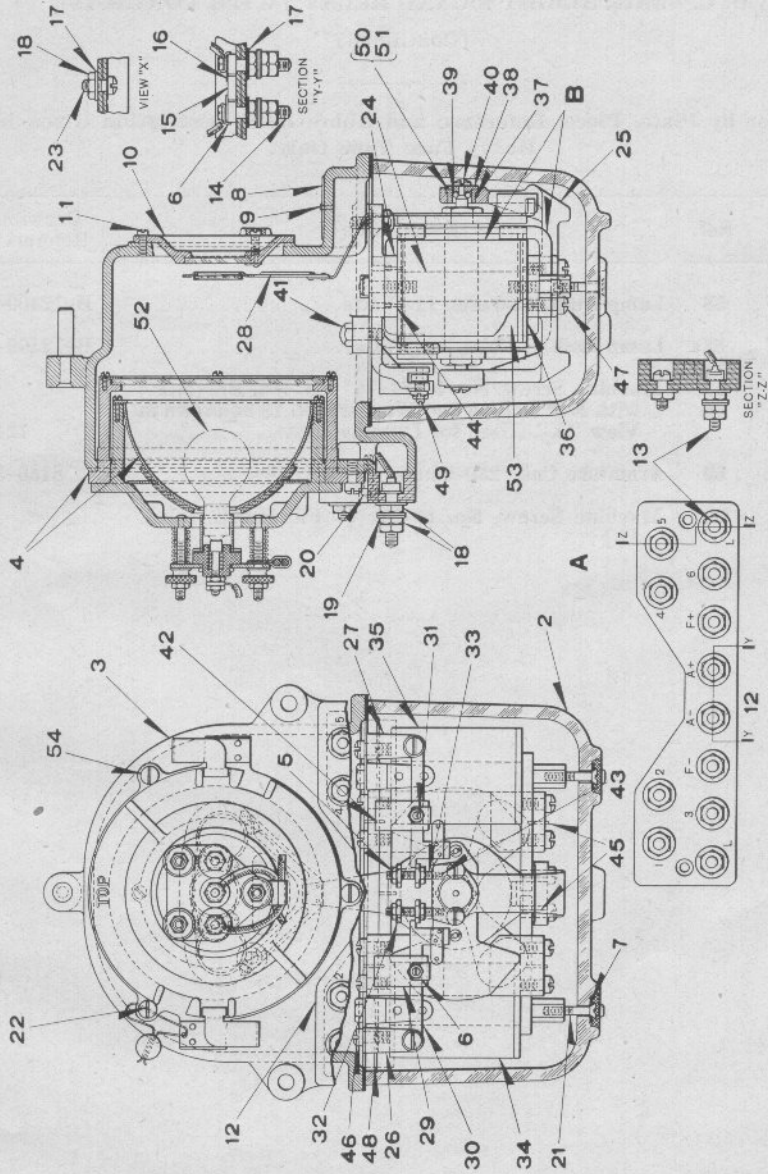


UNION SWITCH & SIGNAL COMPANY



SEARCHLIGHT SIGNAL RELAY (WITHOUT CONTACTS)

UNION SWITCH & SIGNAL COMPANY

COLOR LIGHT SEARCHLIGHT SIGNAL

DETAIL PARTS

D. C. SEARCHLIGHT SIGNAL RELAY (WITHOUT CONTACTS)

Unless otherwise specified, Relays will be furnished with Mechanism having right hand roundel Yellow, middle roundel Red and left hand roundel Green (approaching the signal) with Field Coil for 6-volt minimum and 8-volt maximum and Armature Coil for 6½-volt minimum and 8-volt maximum operation.

Order by Plate, Piece, Reference and Abbreviated Description Given in Heavy Face Type Only.

Piece	Ref.	Description	Drawing Reference
152853	A	D.C. Searchlight Signal Relay with Relay, Ref. Ab, and with R. H. Roundel Green, Middle Roundel Red and L. H. Roundel Yellow (Without Lamp Bulb Ref. 52).....	C-9157-2
152855	Aa	D.C. Searchlight Signal Relay with Relay, Ref. Ab, and with R. H. Roundel Green, Middle Roundel Yellow and L. H. Roundel Red (Without Lamp Bulb, Ref. 52).....	C-9157-2
152852	Ab	D.C. Searchlight Signal Relay without Roundels with Mechanism, Ref. B and with Dummy Posts in Terminal Board in Holes 1-2-3-4-5 and 6 per View "X".....	C-9157-2
152851	B	Mechanism without Contacts, Field Coils 500-Ohms per pair, Armature Coil 250-Ohms for D.C. Searchlight Signal Relay, (Without Roundels).....	C-9157-2
141439	2	Lower Case.....	8163-292
144011	3	Upper Case.....	C-9158-4
148169	4	Reflector with Socket, Retaining Ring, Reflector Glass and Roundel Ring.....	C-9158-5
29956	5	Nut.....	8109-202
29353	6	Lock Washer.....	8486-106
70539	7	Washer.....	8274-73
141725	8	Name Plate.....	8225-294

UNION SWITCH & SIGNAL COMPANY

COLOR LIGHT SEARCHLIGHT SIGNAL  
DETAIL PARTS

D. C. SEARCHLIGHT SIGNAL RELAY (WITHOUT CONTACTS)

(Continued)

Order by Plate, Piece, Reference and Abbreviated Description Given in  
Heavy Face Type Only.

Piece	Ref.	Description	Drawing Reference
	9	Drive Screw, No. 6x1/4" Parker Hardened (Cad. Pl.)	
141657	10	Roundel Ring with Roundel, Clips and Rivets.....	7632-225
	11	Machine Screw, No. 6-40x3/8" Fil. Hd. Br. (N. P.)	
	12	Terminal Board with Posts, Nuts and Washers (Inc. 1-12a, 4-13, 2-14, 1-15, 2-16, 12-17, 24-18, 12-19 and 6-23).....	9968-806
143602	12a	Terminal Board.....	9968-806
141688	13	Terminal Post.....	8094-1192
141689	14	Terminal Post.....	8094-2179
410560	15	Connector.....	410561
410561	16	Clip.	
29104	17	Washer.....	7828-138
29103	18	Nut.....	8109-194
29102	19	Washer.....	7828-139
	20	Machine Screw, No. 10-30x5/8" Fil. Hd. Br. (N.P.)	
	21	Machine Screw, No. 10-30x7/8" Flat Hd. S. (Cad. Pl.)	
153231	22	Screw.....	8098-868
	23	Machine Screw, No. 14-24x1/2" Fil. Hd. Br. (N.P.) with Nut Ref. 18 and Washer Ref. 17 as shown in View "X" (Used for Dummy Post).	
148088	24	Magnet Core with Cores, Backstraps, Pole Pieces and Screws.....	C-9158-3
141711	25	Armature Bracket.....	C-9158-2

UNION SWITCH & SIGNAL COMPANY

COLOR LIGHT SEARCHLIGHT SIGNAL  
DETAIL PARTS

D. C. SEARCHLIGHT SIGNAL RELAY (WITHOUT CONTACTS)

(Continued)

Order by Plate, Piece, Reference and Abbreviated Description Given in Heavy Face Type Only.

Piece	Ref.	Description	Drawing Reference
141709	26	L. H. Supporting Arm .....	C-9158-2
141710	27	R. H. Supporting Arm .....	C-9158-2
141719	28	Armature Assembly with Spectacle, 250-Ohm Coil, Armature, Pole Shoes, Rollers and Pins (Without Roundels) .....	C-9158-3
152865	29	Counterweight .....	9672-192
141682	30	Operating Arm with Bearing Arms, Bushing and Rivets .....	11893-340
141726	31	Set Screw .....	8098-1297
141675	32	Nut .....	8109-324
141698	33	Screw .....	8098-583
144740	34	L. H. Coil .....	8133-357
142142	35	R. H. Coil .....	8133-357
141676	36	Coil Spacer .....	10914-100
141686	37	Bearing .....	8350-706
141687	38	Bearing Cap .....	8350-706
	39	Steel Ball, 1/8" Diam. (1st Grade).	
141685	40	Screw .....	8098-1296
	41	Cap Screw, 1/4"-20x5/8" Hex. Hd. S. (Cad. Pl.) .....	
57496	42	Pin .....	8097-872
54928	43	Rivet .....	10301-21
25948	44	Pin .....	8097-167
37409	45	Pin .....	8097-336

UNION SWITCH & SIGNAL COMPANY

COLOR LIGHT SEARCHLIGHT SIGNAL

DETAIL PARTS

D. C. SEARCHLIGHT SIGNAL RELAY (WITHOUT CONTACTS)

(Continued)

Order by Plate, Piece, Reference and Abbreviated Description Given in Heavy Face Type Only.

Piece	Ref.	Description	Drawing Reference
	46	Machine Screw, No. 14-24x $\frac{1}{2}$ " Fil. Hd. S. (Cad. Pl.)	
	47	Machine Screw, No. 14-24x $\frac{5}{8}$ " Fil. Hd. S. (Cad. Pl.)	
63915	48	Clip.....	8486-267
141684	49	Pivot Screw.....	8378-345
144155	50	Washer (.002" thick) for adjusting end play.....	7828-218
144156	51	Washer (.005" thick) for adjusting end play.....	7828-218
145877	52	Lamp Bulb, 11-Volts, 11-Watts.....	B-12409-18
142967	52a	Lamp Bulb, 8-Volts, 10-Watts.....	B-12409-18
141712	53	Armature Coil, 250-Ohms for Ref. 28.....	8133-356
	54	Machine Screw, No. 10-30x $\frac{1}{2}$ " Fil. Hd. S. (Cad. Pl.)	