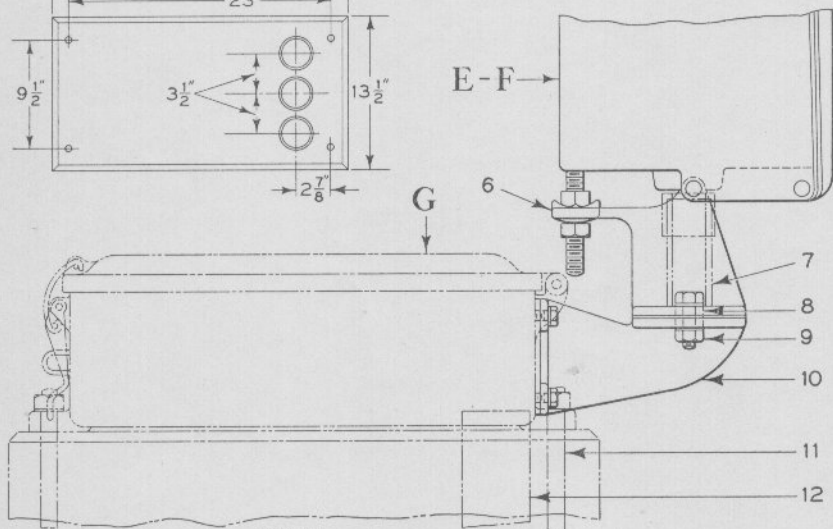
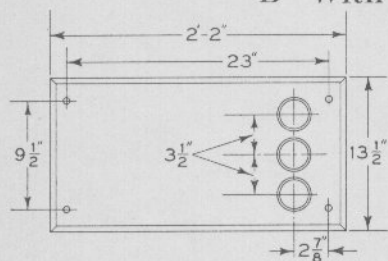


A - With stepped lens
 B - With compound lens



C - With stepped lens
 D - With compound lens

Type SA Color-Light Dwarf Signals
 For Socket or Junction Box Mounting

Type SA Color-Light Dwarf Signals

With Stepped or Compound Lenses For Socket or Junction Box Mounting

Note: See foreword and ordering information at the beginning of this part. Other color combinations than those shown below may be supplied if required.

Lamps are not included with signals complete and must be ordered separately.

Signals are designed to operate on the following voltages: 4, 7.5-8, 10 and 12 volts d-c., however, they may be equipped with an a-c. mechanism to operate on voltages and frequencies as listed on Plate H2663.

Drawing references are shown for convenience in checking shipping lists and invoices.

Fig. No.	Name	Drawing Reference
Order by plate, figure number and name		
A	Type SA Color-Light Dwarf Signal Complete with stepped lens combination, three indication—red, yellow and green. Arranged for socket mounting as shown, which is not included with signal complete.	
Order must specify the following:		
	1—See Plate H2611 and specify whether 6 $\frac{3}{8}$ " or 8 $\frac{3}{8}$ " dia. lens combination is required.	
	2—Voltage upon which signal is to operate if d-c. or frequency and both line and local voltages if a-c.	53050-10
B	Type SA Color-Light Dwarf Signal Complete, with compound lens combination, three indication—red, yellow and green, arranged for socket mounting as shown which is not included with signal complete.	
Order must specify the following:		
	1—See Plate H2614 and specify lens combination required.	
	2—Voltage upon which signal is to operate if d-c., or frequency and both line and local voltages if a-c.	53050-7
C	Type SA Color-Light Dwarf Signal Complete, with stepped lens combination, three indication—red, yellow and green. Arranged for mounting on junction box as shown which is not included with signal complete.	

(Continued on following page)

Type SA Color-Light Dwarf Signals

With Stepped or Compound Lenses For Socket or Junction Box Mounting

Drawing references are shown for convenience in checking shipping lists and invoices.

Fig. No.	Name	Drawing Reference
	Order by plate, figure number and name	
	Order must specify the following:	
	1—See Plate H2611 and specify whether 6 $\frac{3}{8}$ " or 8 $\frac{3}{8}$ " dia. lens combination is required.....	
	2—Voltage upon which signal is to operate if d-c. or frequency and both line and local voltages if a-c.....	53050-10
D	Type SA Color-Light Dwarf Signal Complete with compound lens combination, three indication—red, yellow and green. Arranged for mounting on junction box which is not included with signal complete.....	
	Order must specify the following:	
	1—See Plate H2614 and specify lens combination required. . .	
	2—Voltage upon which signal is to operate if d-c. or frequency and both line and local voltages if a-c.....	53050-7
E	Signal Unit Complete, with stepped lens, for details not shown on this plate see H2611.	
F	Signal Unit Complete, with compound lens, for details not shown on this plate see H2614.	
G	Junction Box Complete, for signals Figs. C and D.	6226-14
1	Nipple, 1 $\frac{1}{2}$ " std., for bottom of case.	47915-2
2	Lock Nut, 1 $\frac{1}{2}$ " std., for nipple.	0827
3	Shield, for bottom of case.	54733
4	Socket, for mounting signal on parkway cable inlet.	11660-6
5	Set Screw, $\frac{1}{2}$ "-13 x 1 $\frac{1}{2}$ " hex. hd., with lock nut, for locking socket to pipe.	(0551-1 7244-1
6	Base, as shown, for signals Figs. C and D.	53070-2
7	Hose, 1 $\frac{1}{2}$ " x 4 $\frac{3}{4}$ ", for base.	52313-5
8	Nipple, 1 $\frac{1}{4}$ ", for use between base and bracket.	15745-10

(Continued on following page)

Type SA Color-Light Dwarf Signals

With Stepped or Compound Lenses For Socket or Junction Box Mounting

Drawing references are shown for convenience in checking shipping lists and invoices.

Fig. No.	Name	Drawing Reference
Order by plate, figure number and name		
9	Bolt, $\frac{5}{8}$ "-11 x $1\frac{3}{4}$ " hex. hd., with hex. nut and washers, for fastening base to bracket.....	{ 45938-3 0113 2400
10	Bracket, for fastening signal to junction box.....	55033
11	Hook Bolt, $\frac{3}{4}$ "-10 x $1\frac{1}{2}$ ", with washer, for fastening junction box to foundation.....	{ 635-3 Gr. 1 029
12	Conduit, $2\frac{1}{2}$ " I.D. x $3\frac{1}{16}$ " O.D. x $30\frac{1}{8}$ " lg., for signal.....	46190-25