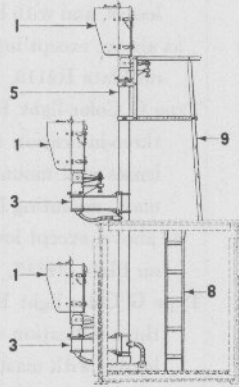
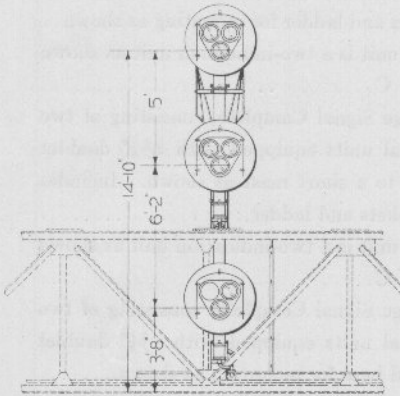
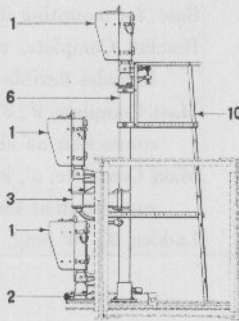
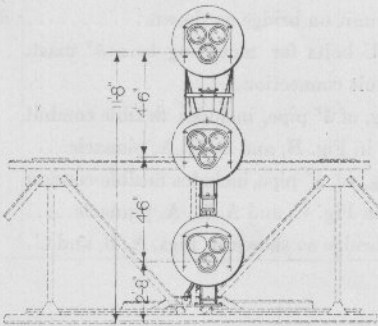


A



B



C

Type G Bridge Signals, Interlocking

Type G Color Light Bridge Signals

Note: See foreword and order information, page 230, at the beginning of this part.

Bridge Signals Complete as listed, do not include any planking, trunking, bridge fixtures or bolts for attaching signals to same.

Drawing references are shown for convenience in checking shipping lists and invoices.

Fig. No.	Name	Drawing Reference
Order by plate, figure number and name		
A	Type G Color-light Bridge Signal Complete, consisting of two three-indication signal units and one two-indication signal unit, equipped with $8\frac{3}{8}$ " doublet lenses. Includes mast, 5', 8" long, bases and ladders for mounting as shown. Lower unit is a Type G three-indication unit with one lens opening covered.....	
A1	as above, except lower signal unit is a two-indication unit as shown on Plate H2113, Fig. C.....	
A2	same as Fig. A, except center signal unit has one lens covered.	
A3	same as Fig. A, except center and lower signal units are two-indication units as shown on Plate H2113, Fig. C.....	
B	Type G Color-light Bridge Signal Complete, consisting of two three-indication signal units and one two-indication signal unit, equipped with $8\frac{3}{8}$ " doublet lenses. Includes mast, 12', 5" long, mounting brackets and ladders for mounting as shown. Lower unit is a Type G three-indication unit with one lens opening covered.....	
B1	as above, except lower signal unit is a two-indicator unit as shown on Plate H2113, Fig. C.....	
B2	same as Fig. B, except center signal unit has one lens opening covered.....	
B3	same as Fig. B, except center and lower signal units are two-indication units, as shown on Plate H2113, Fig. C.....	
C	Type G Color-light Bridge Signal Complete, consisting of two three-indication signal units and one two-indication signal unit, equipped with $8\frac{3}{8}$ " doublet lenses. Includes mast, 10', 2" long, mounting bracket and ladder for mounting as shown. Lower unit is a Type G three-indication unit, with one lens opening covered.....	

(Continued on following page)

Type G Color Light Bridge Signals

Drawing references are shown for convenience in checking shipping lists and invoices.

Fig. No.	Name	Drawing Reference
Order by plate, figure number and name		
C1	as above, except lower signal unit is the two-indication unit shown on Plate H2113, Fig. C.....	
C2	same as Fig. C, except center signal unit has one lens opening covered.....	
C3	same as Fig. C, except center and lower signal units are two-indication units as shown on Plate H2113, Fig. C.....	
1	Type G Three-indication Signal Unit Complete. For details see Plate H2309.....	36722-13
2	Base, for mounting signal unit on bridge as shown.....	21211-13
3	Bracket Complete, with U bolts for mounting to a 5" mast, includes flexible conduit connection.....	4668-1
4	Mast Complete, 5', 8" long, of 5" pipe, includes flexible conduit connection as shown in Fig. A.....	
5	Mast Complete, 12', 5" long, of 5" pipe, includes flexible conduit connection as shown in Fig. B.....	
6	Mast Complete, 10', 2" long, of 5" pipe, includes flexible conduit connection from mast to trunking as shown in Fig. C.....	
7	Ladder, for upper signal unit, Fig. A.....	
8	Ladder, 6', 10" for bridge, Figs. A and B.....	
9	Ladder and Platform, for upper signal unit, Fig. B.....	
10	Ladder and Platform, as shown in Fig. C.....	