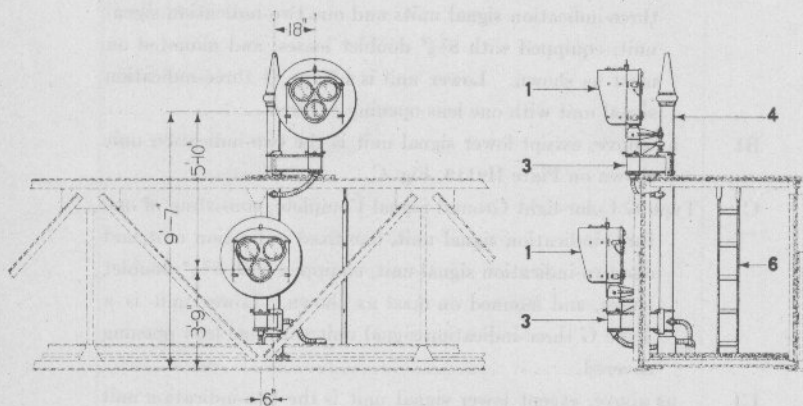
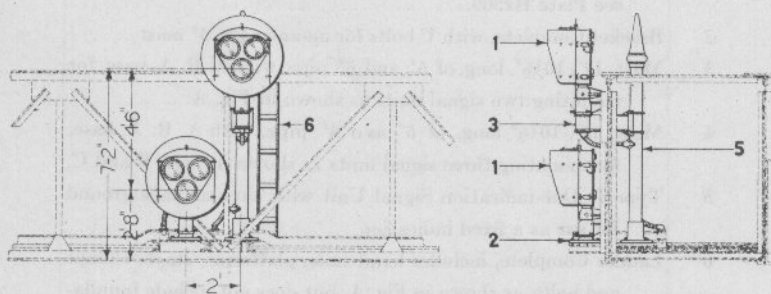


A



B



C

Type G Bridge Signals, Automatic

Type G Color Light Bridge Signals

Note: See foreword and order information, page 230, at the beginning of this part.

Bridge Signals Complete as listed, do not include any planking, trunking or bridge fixtures.

Drawing references are shown for convenience in checking shipping lists and invoices.

Fig. No.	Name	Drawing Reference
Order by plate, figure number and name		
A	Type G Color-light Bridge Signal Complete, consisting of two three-indication signal units equipped with $8\frac{3}{8}$ " doublet lenses, and with bases and ladder for mounting as shown . . .	
A1	as above, except lower unit is a two-indication unit as shown on Plate H2113, Fig. C	
B	Type G Color-light Bridge Signal Complete, consisting of two three-indication signal units equipped with $8\frac{3}{8}$ " doublet lenses and mounted to a short mast as shown. Includes mast, mounting brackets and ladder	
B1	as above, except lower unit is a two-indication unit as shown on Plate H2113, Fig. C	
C	Type G Color-light Bridge Signal Complete, consisting of two three-indication signal units equipped with $8\frac{3}{8}$ " doublet lenses, with mast and base for mounting as shown	
C1	as above, except lower unit is a two-indication unit as shown on Plate H2113, Fig. C	
1	Type G Three-indication Signal Unit Complete. For details, see Plate H2309	36722-13
2	Base, for mounting signal unit on bridge as shown	21211-3
3	Bracket Complete, with U bolts for mounting to a 5" mast. Includes flexible conduit connection	4668-1
4	Mast Complete, 9', 6" long, of 5" pipe, includes flexible conduit connection as shown in Fig. B, and A. R. A. pinnacle	
5	Mast Complete, 6', 9" long, of 5" pipe, includes flexible conduit connection as shown in Fig. C, and A. R. A. pinnacle	
6	Ladder, 6', 10" long, for bridge as shown in Figs. A, B, and C	