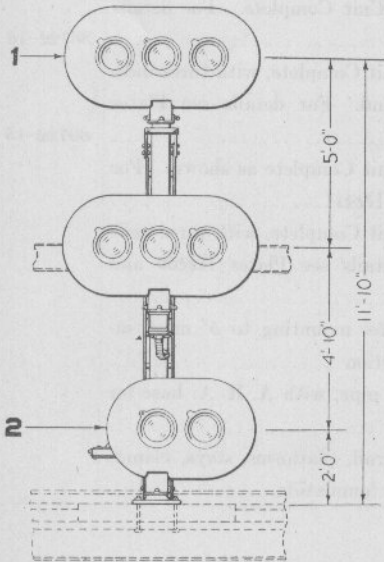
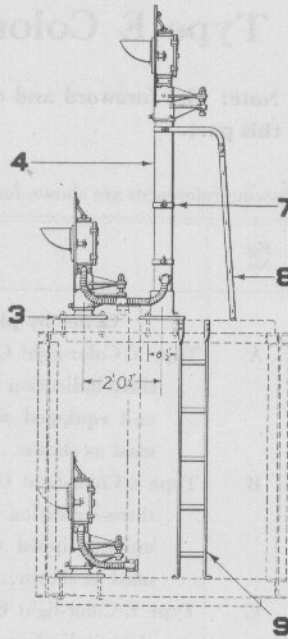
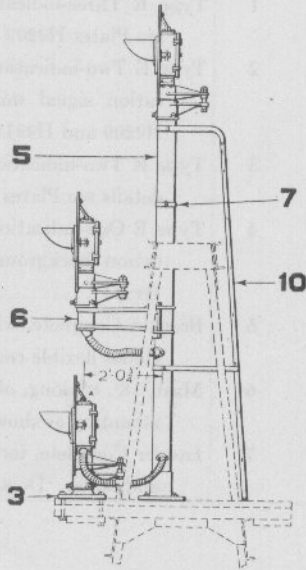


A



B



Type E Three-Unit Color Light Bridge Signals

Type E Color Light Bridge Signals

Note: See foreword and order information, page 220, at the beginning of this part.

The material listed in this plate does not include any bridge fixtures nor bolts for attaching signals. These fixtures can be furnished when we are given full information as to the construction of the bridge and the desired method of mounting.

Drawing references are shown for convenience in checking shipping lists and invoices.

Fig. No.	Name	Drawing Reference
Order by plate, figure number and name		
A	Type E Color-light Bridge Signal Complete, consisting of two three-indication signal units and one two-indication signal unit equipped with 8 $\frac{3}{8}$ " doublet lenses and with bases, mast and ladders for mounting as shown.....	
B	Type E Color-light Bridge Signal Complete, consisting of two three-indication signal units and one two-indication signal unit equipped with 8 $\frac{3}{8}$ " doublet lenses and with mast, ladder, mounting bracket and base for mounting as shown.....	
1	Type E Three-indication Signal Unit Complete. For details see Plates H2209 and H2211.....	36722-16
2	Type E Two-indication Signal Unit Complete. For details see Plates H2209 and H2211.....	36722-15
3	Base for mounting signal unit on bridge as shown.....	21211-3
4	Mast, 5', 8" long, of 5" pipe, with base for mounting on bridge as shown.....	
5	Mast, 10', 6" long, of 5" pipe, with base for mounting on bridge as shown.....	
6	Bracket Complete, with U bolts for mounting to 5" mast, includes flexible conduit connection.....	
7	Pole Step Complete, for 5" pipe.....	20416-2
8	Ladder Complete, for upper unit in Fig. A.....	309-8
9	Ladder Complete, as shown for Fig. A. Specify length.....	312-23
10	Ladder Complete, as shown for Fig. B.....	309-9