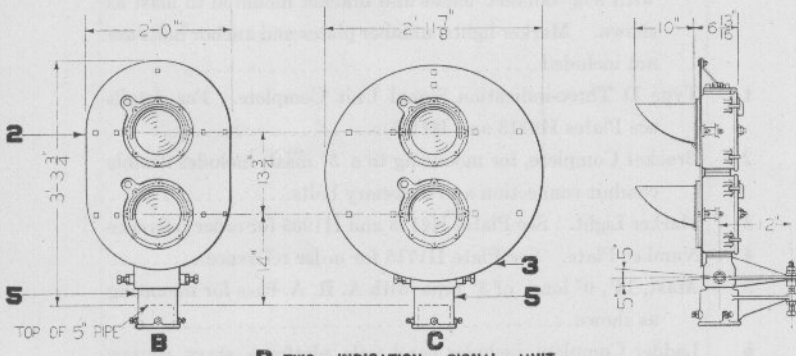
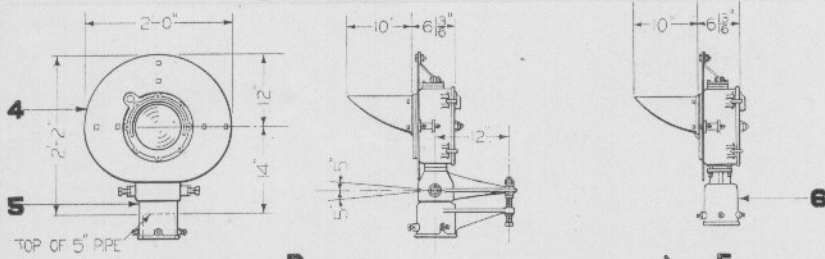


A-THREE INDICATION SIGNAL UNIT



B-TWO INDICATION SIGNAL UNIT
C-TWO INDICATION SIGNAL UNIT



D-ONE INDICATION SIGNAL UNIT WITH MOUNTING SOCKET
E-ONE INDICATION SIGNAL UNIT WITH ADJUSTING BRACKET MOUNTING SOCKET

Type D Color Light Signal

ADJUSTING BRACKET
ADJUSTING BRACKET MOUNTING SOCKET

October 1925

GENERAL RAILWAY SIGNAL COMPANY

Type D Color Light Signal Units

Note: See foreword and order information, page 210, at the beginning of this part. The one-indication signal unit shown in Fig. D is recommended for use as a marker light.

Unless otherwise specified signals will be furnished without backlights.

Drawing references are shown for convenience in checking shipping lists and invoices.

Fig. No.	Name	Drawing Reference
Order by plate, figure number and name		
A	Type D Three-indication Color-light Signal Unit Complete, equipped with 8 ³ / ₈ " doublet lenses, background, hoods and adjusting bracket as shown. Does not include lamp bulbs, transformers nor resistance units.	36722-10
A1	as above, except without background.	36722-9
B	Type D Two-indication Color-light Signal Unit Complete, equipped with 8 ³ / ₈ " doublet lenses, elliptical background, hoods and adjusting bracket as shown. Does not include lamp bulbs, transformers nor resistance units.	
B1	as above, except without background.	36722-11
C	Type D Two-indication Color-light Signal Unit Complete, equipped with 8 ³ / ₈ " doublet lenses, circular background, hoods and adjusting bracket as shown. Does not include lamp bulbs, transformers nor resistance units.	
D	Type D One-indication Color-light Signal Unit Complete, with 8 ³ / ₈ " doublet lens, background, hood and adjusting bracket as shown. Does not include lamp bulb, transformer nor resistance unit.	
D1	as above, except with circular background 3' in diameter.	
D2	as above, except without background.	
E	Type D One-indication Color-light Signal Unit Complete, equipped with 8 ³ / ₈ " doublet lens, background, hood and mounting socket as shown. Does not include lamp bulb, transformer nor resistance unit.	36722-6
E1	as above, except without background.	

(Continued on following page)

Type D Color Light Signal Units

Drawing references are shown for convenience in checking shipping lists and invoices.

Fig. No.	Name	Drawing Reference
Order by plate, figure number and name		
1	Background Complete, with braces, bolts, nuts, etc., for three-indication Type D signal unit, as shown in Fig. A.	49163-1
2	Elliptical Background Complete, with braces, bolts, nuts, etc., for two-indication Type D signal unit as shown in Fig. B.	49163-2
3	Circular Background Complete, with braces, bolts, nuts, etc., for two-indication Type D signal unit, as shown in Fig. C.	49163-11
4	Background Complete, with braces, bolts, nuts, etc., for one-indication, Type D signal unit, as shown in Figs. D and E.	49163-3
5	Adjusting Bracket Complete, with bolts for mounting a signal unit on a 5" mast. For sectional view see Plate H2115, Fig. B.	46668-3
6	Socket Complete, with bolts, for mounting a signal unit on a 5" mast.	28477-1