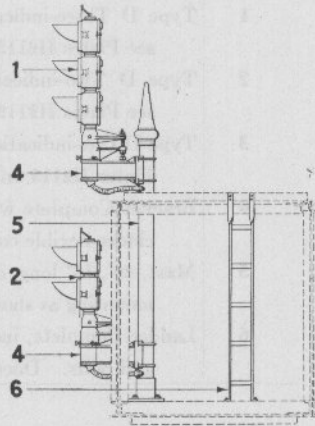
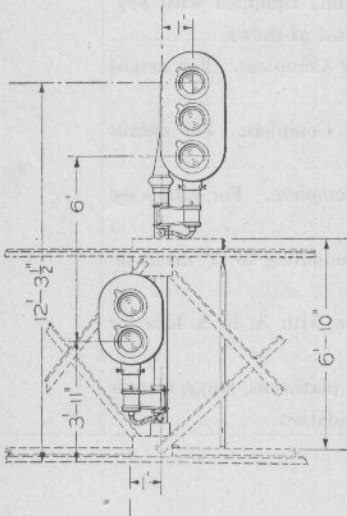


A



B

Type D Color Light Bridge Signals, Automatic

Type D Color Light Bridge Signals

Note: See foreword and order information, page 210, at the beginning of this part. The material listed in this plate does not include any bridge fixtures nor bolts for attaching signals to same.

Drawing references are shown for convenience in checking shipping lists and invoices.

Fig. No.	Name	Drawing Reference
Order by plate, figure number and name		
A	Type D Color-light Bridge Signal Complete, consisting of one three-indication signal unit and one two-indication signal unit, equipped with 8 $\frac{3}{8}$ " doublet lenses and with bases and ladder for mounting as shown.....	
B	Type D Color-light Bridge Signal Complete consisting of one three-indication signal unit and one two-indication signal unit, equipped with 8 $\frac{3}{8}$ " doublet lenses and bracket mounted to a short mast, as shown. Includes mast, mounting brackets and ladder.....	
1	Type D Three-indication Signal Unit Complete. For details see Plates H2113 and H2115.....	
2	Type D Two-indication Signal Unit Complete. For details see Plates H2113 and H2115.....	
3	Base, for mounting signal unit on bridge as shown.....	21211-3
4	Bracket Complete, with U bolts for mounting to a 5" mast, includes flexible conduit connection.....	
5	Mast, length as specified, of 5" pipe with base for mounting as shown.....	
6	Ladder, length as specified.....	