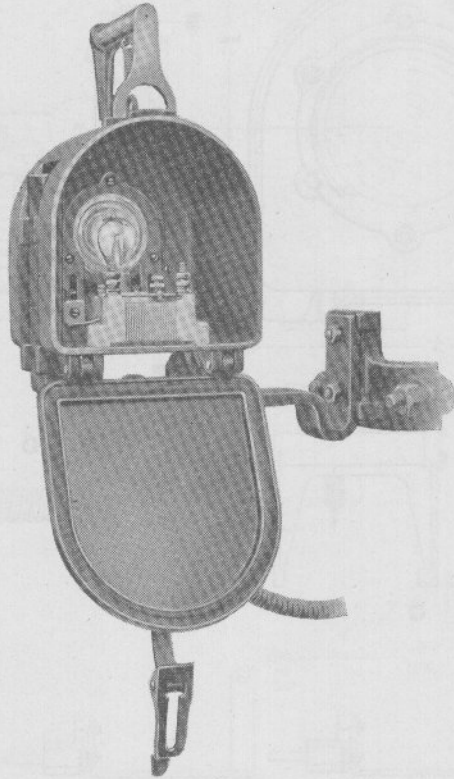
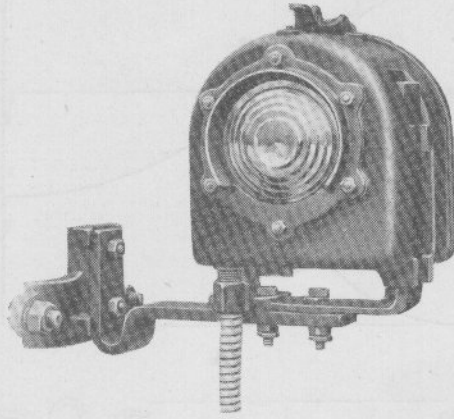
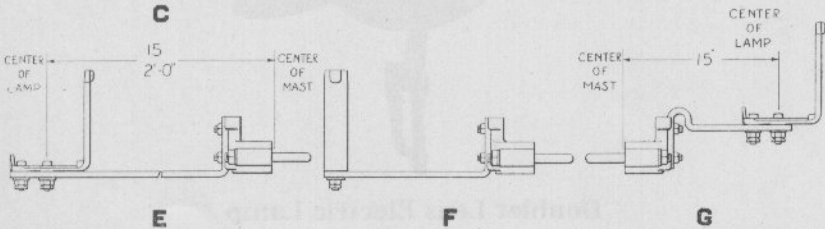
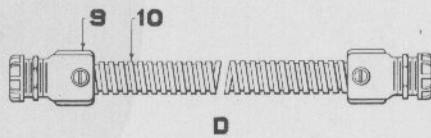
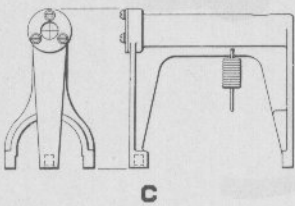
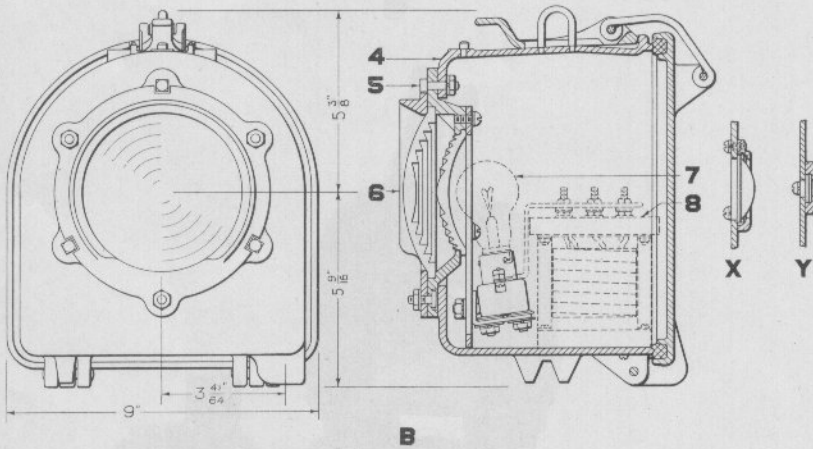
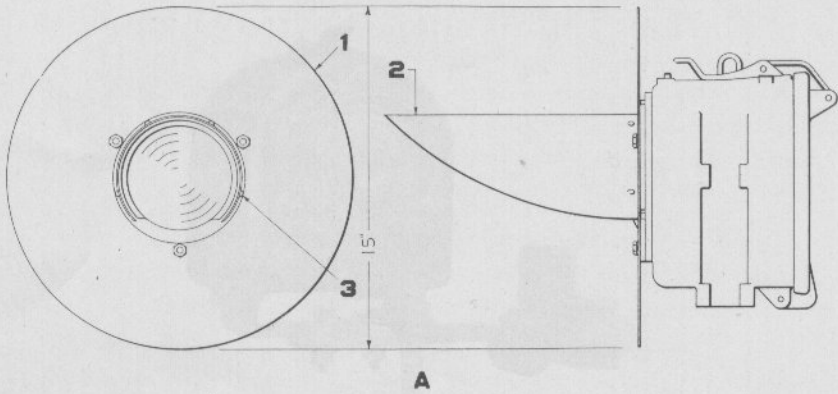


GENERAL RAILWAY SIGNAL COMPANY



Doublet Lens Electric Lamp



Marker Lights and Electric Lamps

Marker Lights and Electric Lamps

Note: The lamp unit shown on this plate is suitable for use as a semaphore electric lamp or for use as a marker light where long range is not required. Where a long range marker light is desired, we recommend the type D, one-indication unit shown on Plate H2113, Fig. D.

The lamp unit is regularly supplied with the 5 inch standard doublet lens unit, the outer lens being 5 inches in diameter of clear glass to give a 3 degree beam spread around the axial beam and the inner lens being $3\frac{5}{8}$ inches in diameter.

Unless otherwise specified all semaphore lamps will be furnished with an inner clear lens to give a clear white indication and marker lights with an inner red lens to give a red indication.

When specified an outer lens of the Spredlite type will be furnished to give a 6 degree spread either side of axial beam.

Lamp bulbs and transformers are not included with marker lights or electric lamps as listed, but must be ordered separately. See Plate H1911 for lamp bulbs and Plate P0102 for transformers.

Transformers, when specified separately, can be mounted in lamp case before shipment if desired.

Resistance units suitable for mounting in this lamp case are shown on Plate N1301 and will be mounted before shipment when specified.

Marker lights and electric lamps are regularly equipped with one A. R. A. terminal block.

Unless otherwise specified, marker lights and electric lamps will be furnished as shown with plain covers without bulls eye back light Fig. X or peep hole Fig. Y.

For additional lamp brackets see Plates H1711 and H1713.

ALIGNMENT

For the purpose of easily aligning the lamp with the track, the top of each lamp case has three points of contact accurately placed and arranged for attaching a portable sighting device Fig. C. This sighting device is furnished only when ordered.

(Continued on following page)

Marker Lights and Electric Lamps

Drawing references are shown for convenience in checking shipping lists and invoices.

Fig. No.	Name	Drawing Reference
Order by plate, figure number and name		
A	Marker Light Unit Complete, as shown, together with lamp bracket, Fig. E, and flexible conduit, Fig. D, for staggered mounting, center of lens 2', 0" to the left of center of mast. Includes doublet lens unit with 5" standard, clear outer lens, and 3 ⁵ / ₈ " inner red lens (1-B, 1-D, 1-E, 1-1, 1-2, 4-3). Does not include lamp bulb, transformer nor resistance unit.	
A1	as above, except with lamp bracket, Fig. F, for vertical mounting directly in front of mast. (1-B, 1-D, 1-F, 1-1, 1-2, 4-3).	
B	Electric Lamp Complete, as shown, except without electric lamp bulb and transformer, for use as semaphore lamp. Includes doublet lens unit with 5" standard, clear, outer lens, and 3 ⁵ / ₈ " inner clear lens. (1-4, 3-5, 1-6)	50580-5
C	Sighting Device, for aligning marker lights and semaphore lamps with track.	51120
D	Flexible Conduit Complete, 3/4" as shown, length as specified, or as required. Includes two bushings (2-9, 1-10)	
E	Lamp Bracket Complete, as shown, for 5" pipe, for mounting marker light, 2', 0" to left of center of mast,—used for staggered marker light with color-light signals, types D, G and F.	35651-2
E1	as above, except for mounting marker light 15" to left of center of mast,—used for staggered marker light with type E color-light signal.	
F	Lamp Bracket Complete, as shown, for 5" pipe, for mounting marker light directly in front of mast.	35651-3
G	Lamp Bracket Complete, as shown for 5" pipe, for mounting marker light 15" to right of center of mast,—used as vertical marker light with Type E color-light signals.	
1	Background as shown, for use on marker light.	49162-14
2	Hood as shown, for use on marker light.	49127-6
3	Screw, No. 10—32x1/4", for fastening hood Fig. 2, to bezel ring of lens unit.	4807

(Continued on following page)

October 1925

GENERAL RAILWAY SIGNAL COMPANY

Marker Lights and Electric Lamps

Drawing references are shown for convenience in checking shipping lists and invoices.

Fig. No.	Name	Drawing Reference
Order by plate, figure number and name		
4	Case Complete, with hasp, staple, studs, pins and plain cover for Fig. B.....	48714-2
5	Bolt, $\frac{1}{4}$ "-20x $\frac{7}{8}$ ", with nut and lock washer for fastening lens unit, Fig. 6, to case, Fig. 4.....	
6	Lens Unit Complete. For detail, see Plate H3001, Fig. B.....	
7	Lamp Bulb,—see Plate H1911 for order reference.....	
8	Transformer, Type K $\frac{1}{2}$,—see Plate P0102, Fig. A for order reference.....	
9	Bushing Complete as shown.....	
10	Flexible Conduit only, $\frac{3}{4}$ ". Length as specified.....	