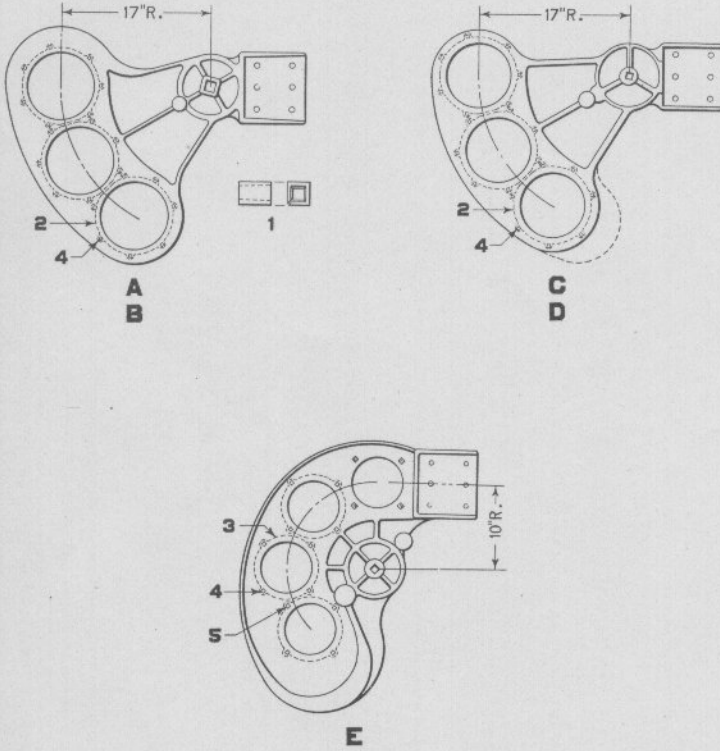


Memoranda



Lower Quadrant Spectacles

March 1916

GENERAL RAILWAY SIGNAL COMPANY

Lower Quadrant Spectacles

NOTE: Spectacles complete do not include roundels which must be ordered separately if desired. See Plate H1822 for roundels.

Drawing references are shown for convenience in checking shipping lists and invoices.

Fig. No.	Name	Drawing Reference
<b>Order by plate, figure number and name</b>		
A	Spectacle Complete as shown, three light, 60° throw, 17" centers, takes 8 <sup>3</sup> / <sub>8</sub> " Roundels, used with 1 <sup>1</sup> / <sub>4</sub> " square Shaft. Includes Bezel Rings and Bolts.....	
B	Spectacle Complete, same as Fig. A except with Bushing Fig. 1. Used with <sup>3</sup> / <sub>4</sub> " to <sup>7</sup> / <sub>8</sub> " tapered Shaft.....	
C	Spectacle Complete as shown, for Base of Mast Signals, three light, 60° throw, 17" centers, takes 8 <sup>3</sup> / <sub>8</sub> " Roundels, used with <sup>3</sup> / <sub>4</sub> " to <sup>7</sup> / <sub>8</sub> " tapered Shaft. Includes Bezel Rings and Bolts..	
D	Spectacle Complete, for Top of Mast Signals, same as Fig. C, except with extra weight shown in dotted lines.....	
E	Spectacle Complete as shown, three light, 90° throw, 10" centers, takes 6 <sup>1</sup> / <sub>2</sub> " Roundels, used with <sup>3</sup> / <sub>4</sub> " x <sup>7</sup> / <sub>8</sub> " tapered Shaft. Includes Bezel Rings and Bolts.....	22370
1	Bushing, for Spectacle Complete Fig. B.....	48109
2	Bezel Ring Complete, for Spectacles Figs. A, B, C and D. (1-2a, 1-2b, 3-2c).....	10341
2a	Bezel Ring only, for Fig. 2.....	6902
2b	Retaining Ring, for Fig. 2.....	6942
2c	Bolt, <sup>1</sup> / <sub>4</sub> " x <sup>3</sup> / <sub>4</sub> " sq. hd., with sq. Nut, for Fig. 2.....	0134
3	Bezel Ring, for Spectacle Fig. E.....	5090
4	Bolt, <sup>1</sup> / <sub>4</sub> " x 1 <sup>1</sup> / <sub>4</sub> " sq. hd. with sq. Nut, for fastening Bezel Rings Figs. 2 and 3 to Spectacles.....	05
5	Bolt, <sup>1</sup> / <sub>4</sub> " x 2 <sup>1</sup> / <sub>2</sub> " sq. hd. with sq. Nut, for fastening Bezel Ring Fig. 3 to Spectacle Fig. E.....	0343